



GAGE BILT

RIVET TOOLS

Made in the USA



COMMERCIAL
Blind Rivet and Lockbolt
Installation Tools



GB51

- Pneumatic
- 2.5 lb. (1.13kg)
- .740 (18.8) stroke
- 1000 lb. (4.45kN) pull force

The GB51 is a lightweight pneumatic tool designed to install a variety of commercial blind rivets. Ideal for:

- 3/32" (2.4) thru 3/16" (4.8) aluminum blind rivets
- 3/32" (2.4) thru 5/32" (4.0) steel blind rivets
- 1/8" (3.2) and 5/32" (4.0) Avex[®] or other multi-grip blind rivets



GB703

- Pneudraulic
- 4.5 lb. (2.04kg)
- .780 (19.8) stroke
- 2,200 lb. (9.79kN) pull force

The GB703 is a lightweight pneudraulic tool designed to install a variety of commercial blind rivets. Ideal for:

- 1/8" (3.2) thru 3/16" (4.8) Avex[®] multi-grip rivets
- 3/32" (2.4) thru 3/16" (4.8) standard blind rivets any material
- 3/16" (4.8) peel type rivets
- 3/16" (4.8) and 1/4" (6.4) Klamp-Tite[®], TLR[®]
- 3/16" (4.8) Monobolt[®] or Magna-Lok[®] structural rivets
- 1/8" (3.2) thru 3/16" (4.8) Or-Bulb[®] blind rivets
- 1/8" (3.2) thru 3/16" (4.8) Orlock[®], U-Fix A/S[®] & U-Fix Steel[®] blind rivets



GB743

- Pneudraulic
- 6.25 lb. (2.8kg)
- .900 (22.8) stroke
- 4200 lb. (18.68kN) pull force

The GB743 is a pneudraulic tool designed to install a wide variety of commercial blind and structural rivets. Ideal for:

- 1/8" (3.2) thru 1/4" (6.4) Avex[®] multi-grip blind rivets
- 3/16" (4.8) and 1/4" (6.4) Monobolt[®] or Magna-Lok[®] structural rivets
- 3/32" (2.4) thru 1/4" (6.4) standard blind rivets
- 1/8" (3.2) thru 1/4" (6.4) Orlock[®], U-Fix A/S[®] & U-Fix Steel[®] blind rivets
- 1/8" (3.2) thru 1/4" (6.4) Ornilock[®] blind rivets



GB713

- Pneudraulic
- 6.5 lb. (2.9kg)
- .760 (19.3) stroke
- 4500 lb. (20.02kN) pull force

The GB713 is a pneudraulic tool that is designed to install a variety of commercial lockbolts and blind structural rivets. Ideal for:

- 3/16" (4.8) and 1/4" (6.4) C6L[®], Avdelok[®] and Magna-Grip[®], Maxlok[®] lockbolts
- 3/16" (4.8) and 1/4" (6.4) Monobolt[®] and Magna-Grip[®]
- 3/8" (10.0) Hucktainer[®] lockbolts
- 3/32" (2.4) thru 1/4" (6.4) standard blind rivets



GB722

- Pneudraulic
- 5.5 lb. (2.5kg)
- .590 (14.9) stroke
- 4700 lb. (20.91kN) pull force

The GB722 is a pneudraulic tool that is designed to install a variety of commercial lockbolts and structural rivets. Ideal for:

- 3/16" (4.8) and 1/4" (6.4) C6L[®], Avdelok[®] and Magna-Grip[®], Maxlok[®] lockbolts
- 3/16" (4.8) and 1/4" (6.4) Avex[®] multi-grip blind rivets
- 3/16" (4.8) and 1/4" (6.4) Monobolt[®] and Magna-Lok[®] structural rivets
- 3/32" (2.4) thru 1/4" (6.4) standard blind rivets



GB745

- Pneudraulic
- 7.1 lb. (3.2kg)
- .600 (15.2) stroke
- 6,300 lb. (28.02kN) pull force

The GB745 is a powerful pneudraulic tool designed to install a variety of commercial lockbolts and structural rivets. Ideal for:

- 3/16" (4.8) thru 3/8" (10.0) C6L[®] and Avdelok[®] lockbolts
- 3/16" (4.8) thru 5/16" (8.0) Magna-Grip[®] and Maxlok[®] lockbolts
- 3/16" (4.8) thru 5/16" (8.0) Monobolt[®] and Magna-Lok[®] structural rivets
- 3/16" (4.8) and 1/4" (6.4) BOM[®] and Avbolt[®] blind bolts
- 5/16" (8.0) Ornilock[®] blind rivets
- 1/4" (6.4) Mega Orlock[®] blind bolts

The **GAGE BILT** advantage
 superior in maintenance, operation and service

THE MAINTENANCE ADVANTAGE

<COMPARE>

GAGE BILT	AVDEL® and CHERRY®
One piece piston	Two pieces (pintail jams)
One piece screw on base cover	Three pieces (retaining rings)
Easy to remove valve pin	Retaining ring becomes embedded into handle
One piece deflector	Three pieces
Less moving parts	More parts, more inventory, more failure
Internal hex in piston (most tools)	None: causes piston head to scar and strip; impossible to tighten right angle and offset noses

GAGE BILT	HUCK®
Easy to bleed	Difficult to bleed
Less moving parts	More parts, more inventory and more failure
Screw in air trigger	Cable assembly subject to failure
One metal base cover	Plastic base cover subject to breakage when operator sets tool down
Air return piston	Spring return subject to failure

GAGE BILT	POP®
Easy to bleed (10 seconds)	Difficult to bleed (10 minutes)
Less moving parts	More parts, more inventory and more failure
Screw in air trigger	Complicated spring linkage
Air piston return	Spring return subject to failure

Continued...

THE OPERATOR ADVANTAGE

GAGE BILT versus AVDEL and CHERRY:

Less jamming with one piece piston. Safer operation with bendable deflector, operator is less likely to remove it. Less downtime than plastic tools

GAGE BILT versus HUCK and POP:

Low effort trigger reduces operator fatigue and carpal tunnel Air return reduces head envelope. Operator will be less likely to remove deflector safety system. Longer stroke tools facilitate single stroke installation.

THE DISTRIBUTOR ADVANTAGE

- Cost
- Service
- Delivery
- Inventory
- Split Handle and In-Line Systems
- Straight, Right-Angle and Offset Noses available for most applications.



No matter whose fastener, **GAGE BILT** is committed to solutions.
TAKE ADVANTAGE

GAGE BILT Inc.

Fasteners To Tool Recommendation Chart

***** Tool recommended is the most cost effective solution *****

"-" indicates the tool will install that fastener but is not the most cost effective solution.

All tools will install a variety of fasteners. Refer to tool flyer for a complete list of noses and fasteners that the tool will install.

"X" indicates the tool is not recommended for that fastener.

Commercial Blind Rivets

Tool	POP® Rivet	Magna-Lok®	T	Monobolt®	Plastic Split	Klamptite® Bulbtite®	Floor-Tight®	Orlock® U-Fix A/S® U-Fix Steel®	Or-Bulb®	Ornilock®	POP Closed End
GB703	3/32"-3/16"	1/8"-3/16"	1/8"-3/16"	3/16"	1/4"	3/16"	X	1/8"-3/16"	1/8"-3/16"	1/8"-3/16"	1/8"-3/16"
GB743	1/4"-5/16"	1/4"	1/4"	1/4"	-	1/4" - 9/32"	X	1/4"	-	1/4"	1/4"
GB745	X	X	X	X	X	X	X	X	X	5/16"	X
GB756	X	5/16"-3/8"	X	3/8"	X	X	5/16"	X	X	-	X
*GB2480	1/4"	1/4"	1/4"	1/4"	1/4"	1/4"	X	1/4"	X	X	1/4"
*GB2581	X	3/8"	X	3/8"	X	X	5/16"	X	X	5/16"	X

POP® is a registered trademark of Emhart Technologies. Monobolt and Klamp-Tite are registered trademarks of Avdel UK Limited. Bulb-tite is a registered trademark of GESIPA Fasteners USA, Inc. Floor-Tight® and Magna-Lok® are registered trademarks of Alcoa Inc. Orlock®, Or-Bulb®, Ornilock®, U-Fix A/S and U-Fix Steel are registered trademarks of Ornit Blind Rivets Limited Company

MOST TOOLS AVAILABLE WITH PISTOL GRIP (SH) AND IN-LINE SPLIT SYSTEMS (SR) AND/OR VACUUM COLLECTOR SYSTEMS.

Commercial Lockbolts

Tool	Magna-Grip® Maxlok®	Lockbolt C6L®/C50L® (LD) AVDELOK®	BOM® Avbolt®	Container Bolt	HP8	Mega Orlock®	MHP10.9
GB713	1/4"	-	X	3/8"	X	X	X
GB722	3/16"	3/16"-1/4"	X	X	X	X	X
GB745	5/16"	5/16"-3/8" Alloy	1/4"	-	X	1/4"	X
GB756	3/8"	3/8"	5/16"	X	X	-	X
*GB2480	3/16"-1/4"	5/32"-1/4"	1/4"	3/8"	X	1/4"	X
*GB2581	3/8"	5/16"-3/8"	**3/8"	X	X	-	X
*GB7624	X	5/8"	5/8"	X	5/8"-3/4"	X	12mm-16mm
GB2620	X	1/2"	1/2"	X	1/2"	X	12mm
GB2628	X	3/4"	3/4"	X	-	X	20mm
GB2630	X	7/8"	-	-	-	X	-

Magna-Grip®, C6L®, C50L®, and BOM® are registered trademarks of Alcoa Inc. Maxlok®, LD Avdelok® and Avbolt® are registered trademarks of Avdel UK Limited. Mega Orlock® is a registered trademark of Ornit Blind

*RECOMMENDED FOR HIGH PRODUCTION APPLICATIONS. GB940 (ELECTRIC) OR GB910 (AIR) POWERUNIT IS REQUIRED.

**Repair Only

Fasteners To Tool Recommendation Chart

***** Tool recommended is the most cost effective solution *****

"-" indicates the tool will install fastener but is not the most cost effective solution.

All tools will install a variety of fasteners. Refer to tool flyer for a complete list of noses and fasteners that the tool will install.

"X" indicates the tool is not recommended for that fastener.

Aerospace Blind Rivets

Tool	CHERRYMAX® HUCKMAX® ALLMAX® NAS9301 - 12	UNIMATIC® BLIND RIVET NAS1919S & U NAS1921S & U	UNIMATIC BLIND BOLT MAXIBOLT® MS21140/1 S & U MS90353/4 S & U	CR2000 CHERRYLOCK® NAS1398/99 NAS1738/39	"A" CODE CHERRYLOCK "A" NAS1398A NAS1399A	NUTPLATE	Fastack® AF5055 AF5075 S149A020	GROUND STUD BACS53B1EA1/2	MBC® NAS1719 - 21	ASP® 2 ASP ASP FF ASP F ASP LC	UAB™ EN6122 & UAB130-EU EN6127 & UAB6127-EU EN6128 & UAB100-EU EN6129 & UABP-EU MAXIBOLT® PLUS
GB50	X	X	X	X	X	3/32"-1/8"	3/32-5/32	X	X	X	X
GB51	1/8"	1/8"	X	X	3/32"-1/8"	3/32"-1/8"	3/32-3/16	X	1/8"	X	X
GB751	1/8" - 3/16"	5/32"-3/16"	1/8"-5/32"	X	5/32"-3/16"	-		-8 & -10	5/32"-3/16"	13/64"	1/8"-5/32"
GB722	1/4"	1/4"	3/16"-1/4" ①	X	1/4"	-		-	-	21/64"	3/16"-1/4"
GB745	-	-	1/4"-5/16"	X	-	X		-	-	-	X
GB756	-	-	3/8"	X	-	-		-	-	-	-
GB784	X	X	X	1/8"-1/4"	X	X		X	X	X	X
*GB2480	1/8"-1/4"	1/8"-1/4"	5/32"-1/4"	X	3/32"-1/4"	3/32"-1/8"		-8 & -10	3/32"	13/64"-21/64"	1/8"-1/4"
*GB2581	-	-	5/16"-3/8"	X	-	-		-	-	-	X
**GB204	-	-	-	X	-	X		-	-	13/64"-21/64"	1/8"-1/4"
**GB205	X	X	-	X	X	X		X	X	X	X
**GB7XX	-	-	-	X	-	-		-	-	-	-
**GB5XX	X	X	-	X	X	X		X	X	X	X

CHERRYMAX®, CHERRYLOCK®, MAXIBOLT® and MBC® are registered trademarks of Cherry Aerospace Fasteners. HUCKMAX®, ASP® and UNIMATIC® are registered trademarks of Alcoa Inc. ALLMAX® and FASTACK® are registered trademarks of Allfast Fastening Systems, Inc. UAB™ is a trademark of Alcoa Inc.

① A-286 AND Ti ONLY

MOST TOOLS AVAILABLE WITH PISTOL GRIP (SH) AND IN-LINE SPLIT SYSTEMS (SR) AND/OR VACUUM COLLECTOR SYSTEMS.

GB204 AND GB205 HYDRAULIC INSTALLATION TOOLS ARE RECOMMENDED FOR OFFSET AND CLOSED ACCESS APPLICATIONS.

5/14

Aerospace Lockbolts

Tool	LGPL Lightweight Groove Proportioned Lockbolt	GPL Groove Proportioned Lockbolt	MLGPL Metric Lightweight Groove Proportioned	MGPL Metric Groove Proportioned Lockbolt	NAS TENSION	NAS SHEAR
GB731	1/8"-1/4"	1/8"-1/4"	4mm-5mm	4mm-6mm	1/8"-1/4"	1/8"-1/4"
GB745	5/16"	1/4"-5/16"	6mm-8mm	6mm-8mm	1/4"-5/16"	1/4"-5/16"
GB756	5/16"-3/8"	5/16"-3/8"	8mm-10mm	8mm-10mm	5/16"-3/8"	5/16"-3/8"
*GB2480	1/8"-1/4"	1/8"-1/4"	-	4mm-6mm	1/8"-1/4"	1/8"-1/4"
*GB2581	5/16"-3/8"	5/16"-3/8"	8mm-10mm	8mm-10mm	5/16"-3/8"	5/16"-3/8"
**GB204	5/32"-1/4"	5/32"-1/4"	-4, -5 & -6	-4, -5 & -6	5/32"-1/4"	5/32"-1/4"
**GB205	5/16"-3/8"	5/16"-3/8"	-8 & -10	-8 & -10	5/16"-3/8"	5/16"-3/8"

*RECOMMENDED FOR HIGH PRODUCTION APPLICATIONS. GB940 (ELECTRIC) OR GB910 (AIR) POWERUNIT IS REQUIRED.
GB204 AND GB205 HYDRAULIC INSTALLATION TOOLS ARE RECOMMENDED FOR OFFSET AND CLOSED ACCESS APPLICATIONS.

3/14

GAGE BILT Tool Adapters

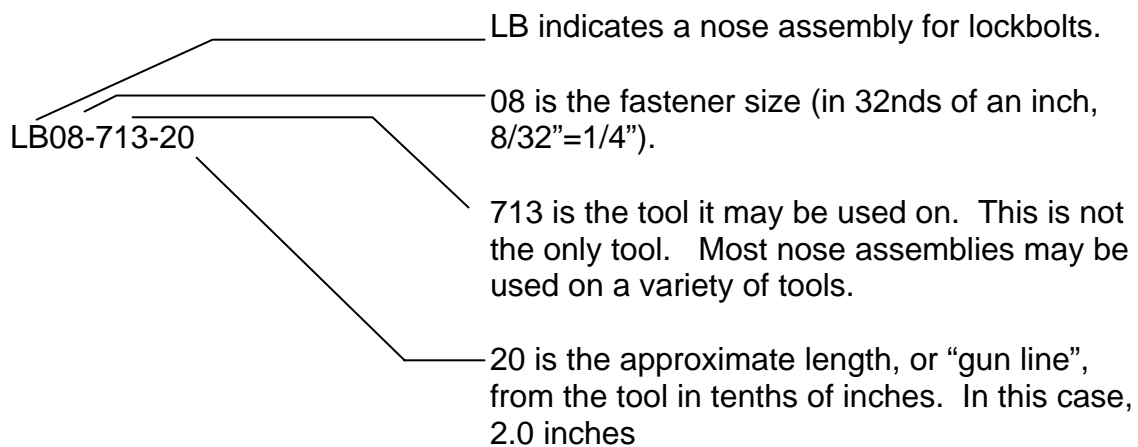
Adapter	Adapts Nose Assembly To Tools
204731	Adapts Straight Nose Assemblies to: GB204 Installation Tool
206751	Adapts GAGE BILT, CHERRY® and HUCK® 3/4" Nose Assemblies to: GB206-375 Installation Tool
256208	Rotatable Adapter, adapts GB208 style noses, 99-3790, 99-3754, 99-3719, 99-1754DG & 99-1719FBDG to GB745, GB756, GB2581, 246, & 2502
353204	XX-204 Series Nose Assemblies to Tool Models: GB745* & GB2581*
353205	XX-205 Series Nose Assemblies to Tool Models: GB745* & GB2581*
353206	XX-206 and Huck® 99-1700 & 99-3700 Series Nose Assemblies to Tool Models: GB745* & GB2581*
353209	Adapts 209 series nose assemblies to: GB745, GBP4801B and GB2580 installation tools
353209-1	ADAPTS GBP209 SERIES NOSE ASSEMBLIES TO GB745 Tool
703002	Extends XX-703, XX-734 & XX-743 Series Nose Assemblies 2"
703006	Extends XX-703, XX-734 & XX-743 Series Nose Assemblies 6"
703751	Adapts: 352 Series Nose Assemblies to GB703 Tool
704001	XX-715 & XX-51 Series, Nose Assemblies to Tool Models: GB704*
704002	Extends XX-701, XX-704, XX-753 & XX-763 Series Nose Assemblies 2"
704004	Extends XX-701, XX-704, XX-753 & XX-763 Series Nose Assemblies 4"
704005	456MAX-749-35 (Straight), 456MAX-704-43OS (Offset) & 456MAX-704-54RA (Right Angle) Nose Assemblies to Tool Models: GB784*
704006	Extends XX-701, XX-704, XX-753 & XX-763 Nose Assemblies 6"
704012	Extends XX-701, XX-704, XX-753 & XX-763 Series Nose Assemblies 12"
715002	Extends XX-715 & XX-51 Series Nose Assemblies 2"
730715	XX-715 & XX-51 Series Nose Assemblies to Tool Models: GB752*, GB730*, GB731, GB722 & GB713*
740715	XX-715 & XX-51 Series Nose Assemblies to Tool Models: GB740*
744704	XX-701, XX-704, XX-753 & XX-763 Series Nose Assemblies to Tool Models: GB744*
745208	Adapts GB208 Series Nose Assemblies to Models: GB745, GB756 & GB2581
745751	3/4" Series Nose Assemblies to Tool Models: GB745*, GB756, GB2581* & GBP4804
751204	XX-204 Series Nose Assemblies to Tool Models: GB730*, GB751*, GB731, GB722 & GB713*
751206	XX-206 Series Nose Assemblies to Tool Models: GB730*, GB751*, GB731, GB722 & GB713*
751704	Rotatable Adapter, adapts GB704 Series Nose Assemblies to: GB731, GB751, GB752, GB722 and GB2481 Installation Tools
784704	Adapts 704 Series Nose Assemblies to: GB784 Installation Tool
784715	XX-715 & XX-51 Series Nose Assemblies to Tool Models: GB784*
840204	XX-204 SERIES NOSE ASSEMBLIES TO TOOL MODELS: G83A & G84A
840206	XX-206 SERIES NOSE ASSEMBLIES TO TOOL MODELS: G83 & G84
850204	XX-204 SERIES NOSE ASSEMBLIES TO TOOL MODELS: G85 & G87

HUCK® IS A REGISTERED TRADEMARK OF ALCOA INC. CHERRY® IS A REGISTERED TRADEMARK OF CHERRY AEROSPACE FASTENERS

*Tool Model Revision or Above

REV. 6/15

Nose Assembly Data Sheet Key



Prefix codes refer to the type of fastener:

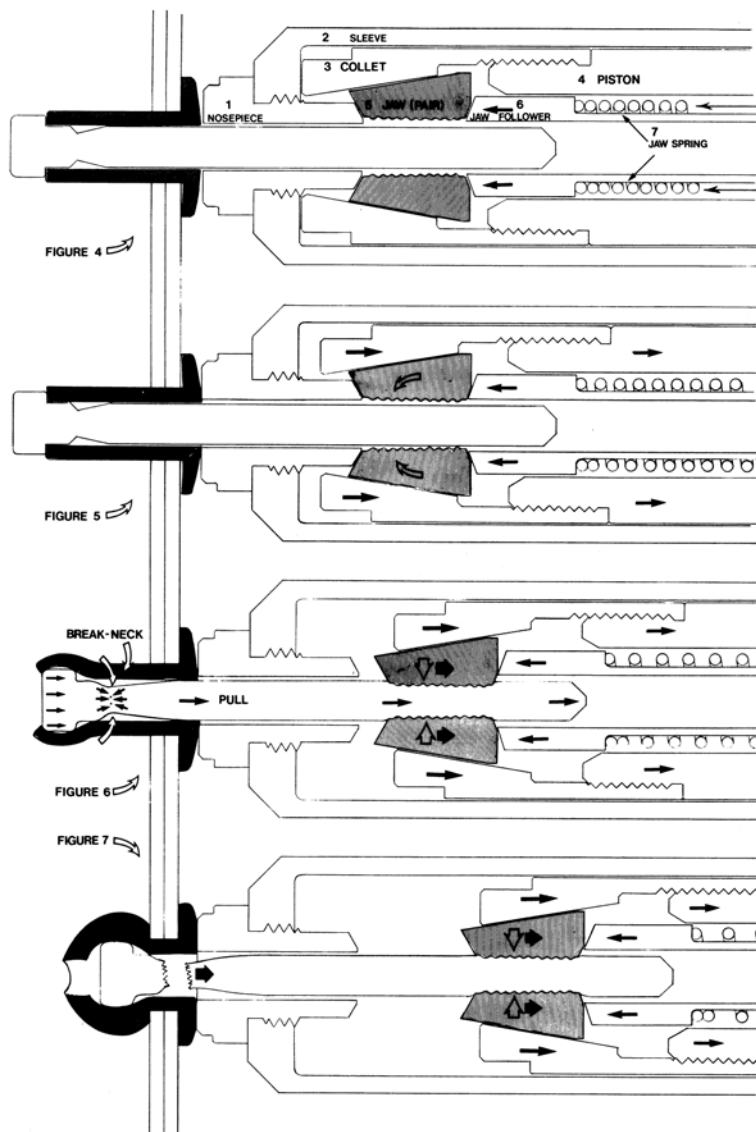
A	-“A” Code Rivet
LB	-Lockbolt
LGP®	-Lightweight Groove Proportioned
MAX	-M7885/NAS9301-9312
MB	-Monobolt®
MG	-Multi-Grip Lockbolt
MGL	-Multi-Grip Blind Fastener
MGP®	-Metric Groove Proportioned
MLGP®	-Metric Lightweight Groove Proportioned
N	-Nail or Pop® Rivet
NAS	-NAS Tension or Shear Lockbolt
SB	-Single Action Blind Bolt
SMLS	-NAS1919S & 1921S
UBR	-NAS1919U & 1921U

HOW A RIVET WORKS

As the trigger is pulled, hydraulic pressure in the tool forces the piston and collet to begin to retract (figure 5). As this action first occurs, the jaws do not retract, instead they are continually forced forward by the jaw spring and follower. As the collet further retracts, the jaws are pulled back away from the nose tip. As this opposing movement occurs, the cone angle in the collet causes the jaws to close onto the rivet pintail.

Once the jaws have a firm grip on the pintail (figure 6), the pulling action on the pintail pulls the pintail head into the core of the rivet body causing the rivet body to expand. As this movement continues, the pintail head reaches a certain resistance that is greater than that of the break-neck. At this point, a strong, tight joint is formed. The pintail breaks away and the rivet is set. (Figure 7)

When the trigger is released, the piston, collet, jaws, jaw spring, and jaw follower are returned forward by air pressure to their full forward position. The jaws still grip the broken pintail until they contact the back of the nose tip. They are then forced open and release the pintail. Vacuum (if equipped) then pulls the broken pintail out of the nose assembly.



GAGE BILT



Nail Rivet (open end) Avdel®
Cherry® (N)



Closed End Rivet



Monobolt® (Avdel)



Magna-Lok® (Huck®)
Ultra-Grip® (POP®)



'T' Rivet®/ Peel Rivet



Hemlok®



C6L® / Avdelok®



Magna-Grip® Huck® / Maxlok®
Avdel®



BOM®



Avtainer® / Hucktainer®
(Container Bolt)



Klamp-Tite®



Bulb-Tite®



Av-Seal®



Floortight®



Sleeve Bolt XXX

**GO TO:
www.gagebilt.com
FOR FLYERS, NOSE ASSEMBLIES
AND RECOMMENDATIONS
FOR INDIVIDUAL APPLICATIONS**

ORDER INFORMATION

1. Minimum Net Order: Within the USA = \$55.00 / Outside the USA = \$125.00
2. INCO Terms: EX Works GAGE BILT
3. Payment Terms: Contact customer service. Credit card orders above \$2,000.00 will incur a 3% fee.
4. Returns: \$55.00 or 20% restocking charge (whichever is greater).
5. Order Discrepancies: Please contact customer service within 48 hours of receipt.
6. Expedited Service: Available on most products with an additional charge of \$75.00 or 10% (whichever is greater). Please contact customer service for availability.
7. All prices are subject to change without notice.
8. Data sheets of noses assemblies, installation tools and powerunits are available at www.gagebilt.com or call customer service for assistance.

WARRANTY

Seller warrants that all goods covered by this catalog will conform to applicable specifications and will replace or repair, EXW our plant, any goods providing defective from faulty workmanship, or material, for 1 year from date of shipment.

Said warranty to remain in effect if, and only if, such goods are used in accordance with all instructions as to maintenance, operation and use, set forth in manuals and instruction sheets furnished by seller.

Sellers obligation under this warranty shall be limited to the repair or rework of the goods supplied or replacement thereof, at Seller's option, and in no case is to exceed the invoice value of said goods. Under no circumstances will the seller be liable for incidental or consequential damages or for damages incurred by the buyer or subsequent user in repairing or replacing defective goods or if the goods covered by this warranty are reworked or subjected to any type of additional processing.

This warranty is void if Seller is not notified in writing of any rejections or defects within 1 year after the receipt of the material by the customer.

THIS WARRANTY IS MADE IN LIEU OF ALL OTHER WARRANTIES EXPRESSED OR IMPLIED, INCLUDING MERCHANTABILITY.

GB5500 SERIES COLLAR FEEDER

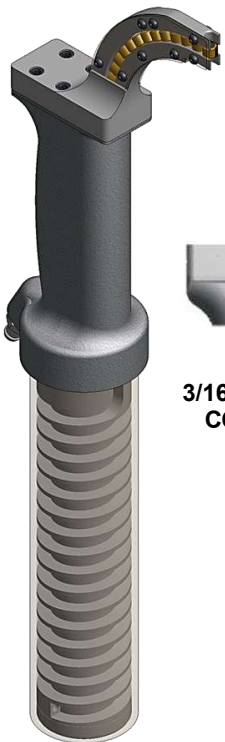
**NEW
INNOVATION**



- SAFER COLLAR INSTALLATION
- INCREASE PRODUCTIVITY
- ELIMINATE FOD
- REDUCE FASTENER COSTS
- QUICK-CHANGE CARTRIDGE



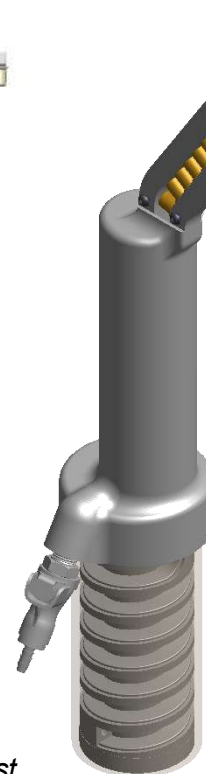
Watch it
in action



GB5560
3/16" NON-FLANGED
COLLAR FEEDER



GB5588F
14" FLANGED
COLLAR FEEDER



GB5564FF
3/16" FLANGED
COLLAR FEEDER



**Other sizes available upon request*



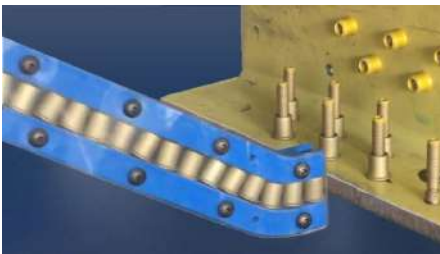
Installation of Flanged 3/16"-1/4" LGP® collars

Other sizes available upon request



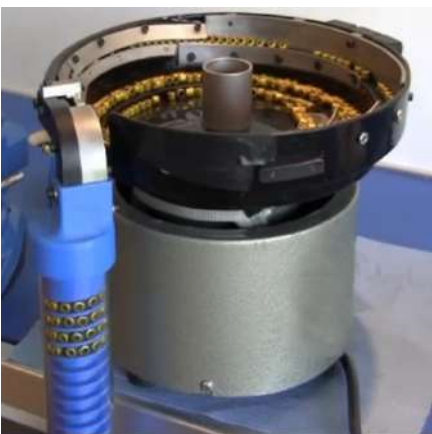
Installation of Non-Flanged 3/16"-1/4" LGP® collars

Other sizes available upon request



Installation of Flanged 3/16"-1/4" LGP® collars

Other sizes available upon request

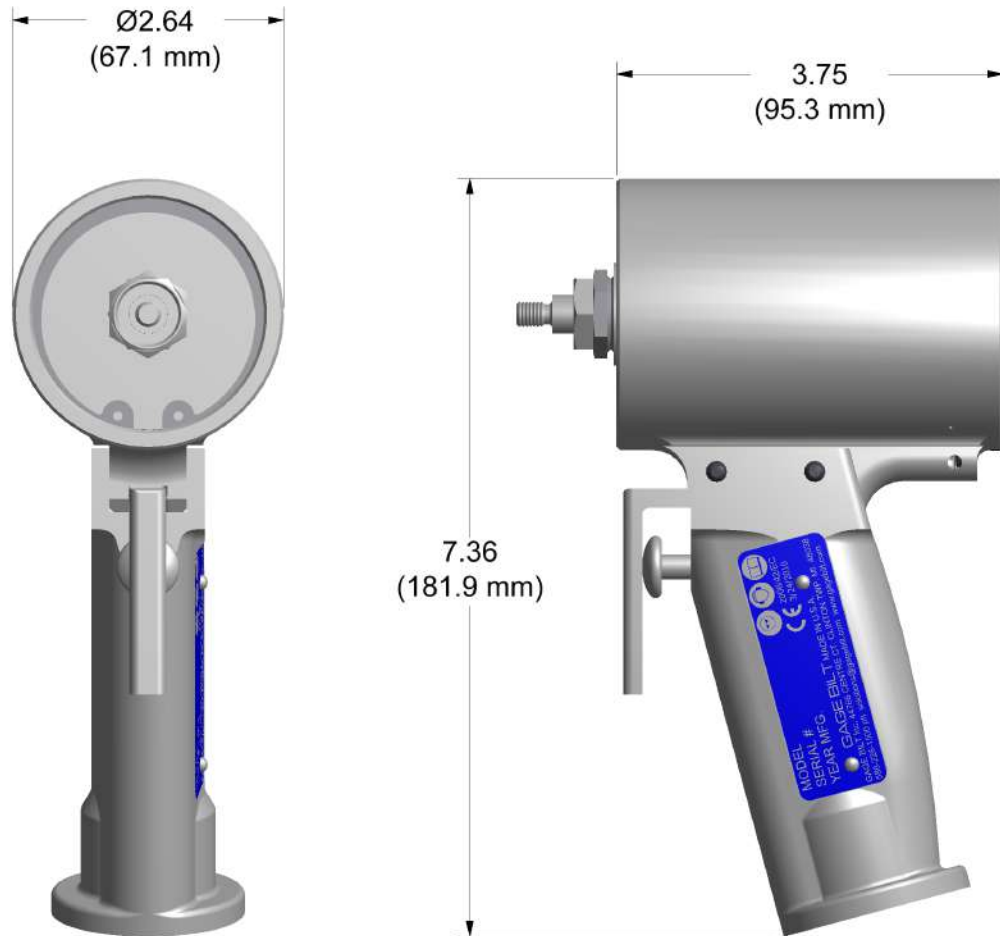


Collar Feeder Bowl Feeds collars in cartridge

fills cartridge in less than 1 minute

GB50

PNEUMATIC INSTALLATION TOOL



DESCRIPTION

The GB50 pneumatic riveter is designed specifically for the most efficient installation of a wide range of blind rivets. It will install aluminum rivets through 5/32" diameter, and through 1/8" diameter rivets in any material. It weighs only 1.8 lbs. (0.82 kg) and can be operated in any position with one hand.

The GB50 Riveter is 7" high, has a .740 (18.8 mm) stroke and generates a minimum of 600 lbs. (2.67 kN) of pull at 90 psi (6.2 bar). It operates on 90 to 100 psi (6.2-6.9 bar) of air pressure at the tool.



Effective FOD Control (foreign object damage/debris). Install catcher bag on the front of the riveter to catch spent pintail stems. Place nose assembly through grommet on catcher bag and easily fasten catcher bag to tool using the Velcro strap. Features an easily emptied zippered pouch.

*Use catcher bag 500610 for XX-51-46 straight nose assemblies.
Use catcher bag 715610 for XX-715-43 straight nose assemblies.*

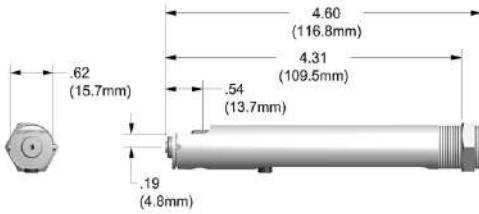
NOSE ASSEMBLIES AND CATCHER BAGS ARE NOT FURNISHED WITH THIS TOOL AND MUST BE PURCHASED SEPARATELY.



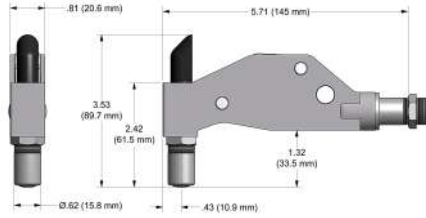
ACCESSORIES
(SOLD SEPARATELY)



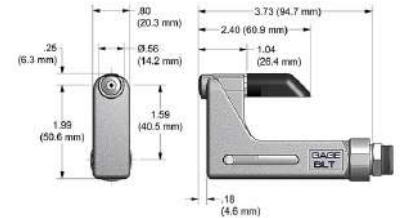
STRAIGHT



RIGHT ANGLE



OFFSET



NOSE ASSEMBLY SELECTION CHART

Riveter Kits Available
Contact Gage Bilt to create your own custom kit



Alternative Option
GB54B Pneumatic Riveter
With stem collection bottle
for FOD control



FASTENER	DIA.	STRAIGHT	RIGHT ANGLE 1	OFFSET
NUT PLATE RIVETS MS20600 SERIES	3/32	3C-715B-43	3C-715-54RA	3C-715-40OS
CCR244/264/274	1/8	4C-715B-43	4C-715-54RA	4C-715-40OS
MS/9SP/PT				
BACR15CC/CF/DA/DR	5/32 2	5C-715B-43	5C-715-54RA	5C-715-40OS
"A" CODE	3/32	3A-715B-43	3A-715-54RA	3A-715-40OS
NAS1398A, NAS1399A	1/8	4A-715B-43	4A-715-54RA	4A-715-40OS
NAS1738A, NAS1739A	5/32 2	5A-715B-43	5A-715-54RA	5A-715-40OS
BLIND RIVET (SINGLE ACTION) WITH OR W/O DRIVE WASHER	1/8	SMLS04-715B-43	SMLS04-715-54RA	SMLS04-715A-40OS
NAS1900 S & U SERIES	5/32 2	SMLS05-715B-43	SMLS05-715-54RA	SMLS05-715A-40OS
MBC®	1/8	MBC04-715C-43		
NAS1715-1721	5/32	MBC05-715C-43		
	3/16	MBC06-715C-43		
OPEN END NAIL RIVET	3/32	3N-715E-43	3N-715-54RA	3N-715-40OS
	1/8 3	4N-715E-43	4N-715-54RA	4N-715-40OS
	5/32 2	5N-715E-43	5N-715-54RA	5N-715-40OS
CLOSED END NAIL RIVET (ALUMINUM MANDREL)	3/32	3N-715E-43	3N-715-54RA	3N-715-40OS
	1/8	4CEA-715E-43	4CEA-715-54RA	4CEA-715-40OS
	5/32	5CEA-715E-43	5CEA-715-54RA	5CEA-715-40OS
CLOSED END NAIL RIVET (STEEL MANDREL)	3/32	3N-715E-43	3N-715-54RA	3N-715-40OS
	1/8	4CES-715E-43	4CES-715-54RA	4CES-715-40OS
	5/32	5CES-715E-43	5CES-715-54RA	5CES-715-40OS
FASTACK®	3/32	3C-715B-43	3C-715-54RA	3C-715-40OS
AF5055	1/8	4C-715B-43	4C-715-54RA	4C-715-40OS
	5/32	5C-715B-43	5C-715-54RA	5C-715-40OS
SUPERTACK®	3/32	3C-715B-43	3C-715-54RA	3C-715-40OS
AF5075	1/8	3A-715B-43	3A-715-54RA	3A-715-40OS
AF5076	5/32	4A-715B-43	4A-715-54RA	4A-715-40OS
S149A020				

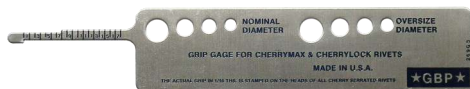
MBC® IS A REGISTERED TRADEMARK OF CHERRY AEROSPACE. FASTACK® AND SUPERTACK® ARE REGISTERED TRADEMARKS OF ALLFAST FASTENING SYSTEMS INC.

GAGE BILT CERTIFIES THE GB50 WILL INSTALL THE ABOVE FASTENERS

1) RIGHT ANGLE NOSE ASSEMBLYS MAY REQUIRE MORE THAN ONE PULL.
2) ALUMINUM ONLY.
3) ALUMINUM & STEEL ONLY.
*ALL COUNTERSUNK 'C' NOSE ASSEMBLYS MAY BE USED TO INSTALL BOTH UNIVERSAL & COUNTERSUNK HEAD RIVETS

NOTE: THE LAST 2 DIGITS OF THE NOSE ASSEMBLY REPRESENTS THE LENGTH THE NOSE
EXTENDS FROM THE TOOL I.E. -20 = 2.0 INCHES

**Grip Gage for CHERRYMAX®
and CHERRYLOCK® rivets**
269G3 (Similar to #269C3)

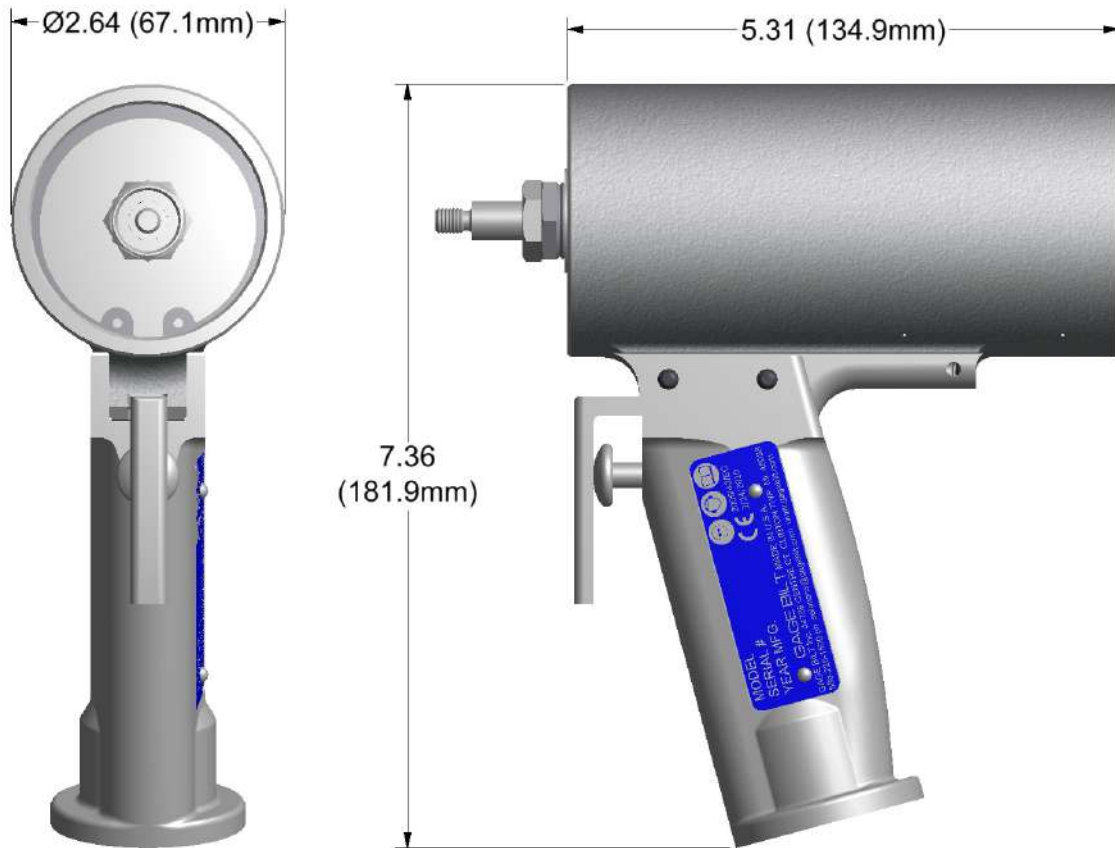


**Grip Gage for NAS LOCKBOLTS
and blind fasteners**
#GB105093 (Equivalent to #105093)



GB51

PNEUMATIC INSTALLATION TOOL



DESCRIPTION

The GB51 pneumatic riveter is designed specifically for the most efficient installation of a wide range of blind rivets. It will install aluminum rivets through 3/16" diameter, and through 1/8" diameter rivets in any material. It weighs only 2 1/2 lbs. (1.13 kg) and can be operated in any position with one hand.

The GB51 Riveter is 7" high, has a .740 (18.8 mm) stroke and generates a minimum of 1000 lbs. (4.45 kN) of pull at 90 psi. (6.2 bar). It operates on 90 to 100 psi (6.2-6.9 bar) of air pressure at the tool.



Effective FOD Control (foreign object damage/debris). Install catcher bag on the front of the riveter to catch spent pintail stems. Place nose assembly through grommet on catcher bag and easily fasten catcher bag to tool using the Velcro strap. Features an easily emptied zippered pouch.

Use catcher bag 500610 for XX-51-46 straight nose assemblies.

Use catcher bag 715610 for XX-715-43 straight nose assemblies.

NOSE ASSEMBLIES AND CATCHER BAGS ARE NOT FURNISHED WITH THIS TOOL AND MUST BE PURCHASED SEPARATELY.

GAGE BILT



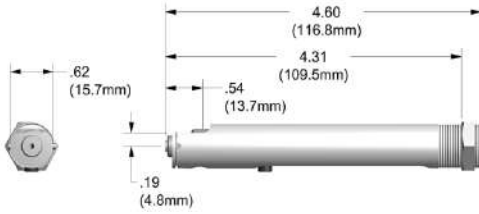
MADE in USA



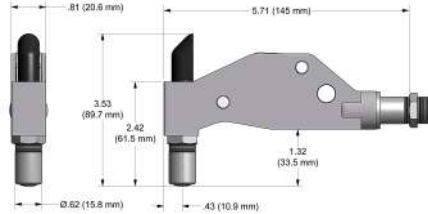
ACCESSORIES
(SOLD SEPARATELY)



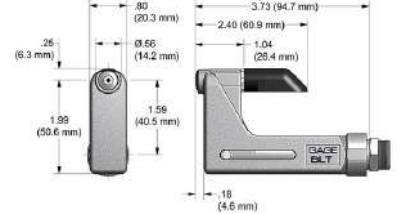
STRAIGHT



RIGHT ANGLE



OFFSET



NOSE ASSEMBLY SELECTION CHART

Riveter Kits Available
Contact Gage Bilt to create your own custom kit



Alternative Option
GB55B Pneumatic Riveter
With stem collection bottle
for FOD control



See GB55B nose assembly selection chart for GB55B nose assemblies

FASTENER	DIA.	STRAIGHT	RIGHT ANGLE ¹	OFFSET
NUT PLATE RIVETS MS20600 SERIES CCR244/264/274 MS/9SP/PT BACR15CC/CF/DA/DR	3/32 1/8 5/32 ₂ 3/16 ₂	3C-715B-43 4C-715B-43 5C-715B-43 6C-715B-43	3C-715-54RA 4C-715-54RA 5C-715-54RA 6C-715-54RA	3C-715-40OS 4C-715-40OS 5C-715-40OS 6C-715-40OS
"A" CODE NAS1398A, NAS1399A NAS1740A, NAS1739A	3/32 1/8 5/32 ₂ 3/16 ₃	3A-715B-43 4A-715B-43 5A-715B-43 6A-715B-43	3A-715-54RA 4A-715-54RA 5A-715-54RA 6A-715-54RA	3A-715-40OS 4A-715-40OS 5A-715-40OS 6A-715-40OS
BLIND RIVET (SINGLE ACTION) WITH OR W/OUT DRIVE WASHER NAS1900 S & U SERIES	1/8 5/32 ₂ 3/16 ₂	SMLS04-715B-43 SMLS05-715B-43 SMLS06-715B-43	SMLS04-715-54RA SMLS05-715-54RA SMLS06-715-54RA	SMLS04-715A-40OS SMLS05-715A-40OS SMLS06-715A-40OS
CHERRYMAX®, CHERRYMAX® 'AB', MBC® LOCK CREATOR BACR15FR/FP, BACR15GF/GK,	1/8	456MAX-715-43	456MAX-715B-54RA	456MAX-715A-40OS
MBC® NAS1715-1721	1/8 5/32 3/16	MBC04-715C-43 MBC05-715C-43 MBC06-715C-43		
OPEN END NAIL RIVET	3/32 1/8 5/32 ₄ 3/16 ₂	3N-715E-43 4N-715E-43 5N-715E-43 6N-715E-43	3N-715-54RA 4N-715-54RA 5N-715-54RA 6N-715-54RA	3N-715-40OS 4N-715-40OS 5N-715-40OS 6N-715-40OS
CLOSED END NAIL RIVET (ALUMINUM MANDREL)	3/32 1/8 5/32 3/16	3N-715E-43 4CEA-715E-43 5CEA-715E-43 6CEA-715E-43	3N-715-54RA 4CEA-715-54RA 5CEA-715-54RA 6CEA-715-54RA	3N-715-40OS 4CEA-715-40OS 5CEA-715-40OS 6CEA-715-40OS
CLOSED END NAIL RIVET (STEEL MANDREL)	3/32 1/8 5/32	3N-715E-43 4CES-715E-43 5CES-715E-43	3N-715-54RA 4CES-715-54RA 5CES-715-54RA	3N-715-40OS 4CES-715-40OS 5CES-715-40OS
FASTACK® AF5055	3/32 1/8 5/32 3/16	3C-715B-43 4C-715B-43 5C-715B-43 6C-715B-43	3C-715-54RA 4C-715-54RA 5C-715-54RA 6C-715-54RA	3C-715-40OS 4C-715-40OS 5C-715-40OS 6C-715-40OS
SUPERTACK® AF5075 AF5076 S149A020	1/8 5/32 3/16	3A-715B-43 4A-715B-43 5A-715B-43	3A-715-54RA 4A-715-54RA 5A-715-54RA	3A-715-40OS 4A-715-40OS 5A-715-40OS

CHERRYMAX® AND MBC® ARE REGISTERED TRADEMARKS OF CHERRY AEROSPACE. FASTACK® AND SUPERTACK® ARE REGISTERED TRADEMARKS OF ALLFAST FASTENING SYSTEMS INC.

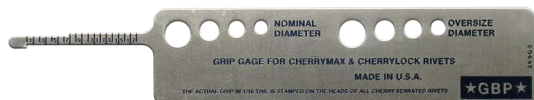
GAGE BILT CERTIFIES THE GB51 WILL INSTALL THE ABOVE FASTENERS

1) RIGHT ANGLE NOSE ASSEMBLYS MAY REQUIRE MORE THAN ONE PULL.
2) ALUMINUM ONLY.
3) SELF-PLUGGING ALUMINUM ONLY
4) ALUMINUM AND STEEL ONLY.
*ALL COUNTERSUNK 'C' NOSE ASSEMBLYS MAY BE USED TO INSTALL BOTH UNIVERSAL & COUNTERSUNK HEAD RIVETS

NOTE: THE LAST 2 DIGITS OF THE NOSE ASSEMBLY REPRESENTS THE LENGTH THE NOSE EXTENDS FROM THE TOOL. I.E. -20 = 2.0 INCHES

7/17

**Grip Gage for CHERRYMAX®
and CHERRYLOCK® rivets**
269G3 (Similar to #269C3)



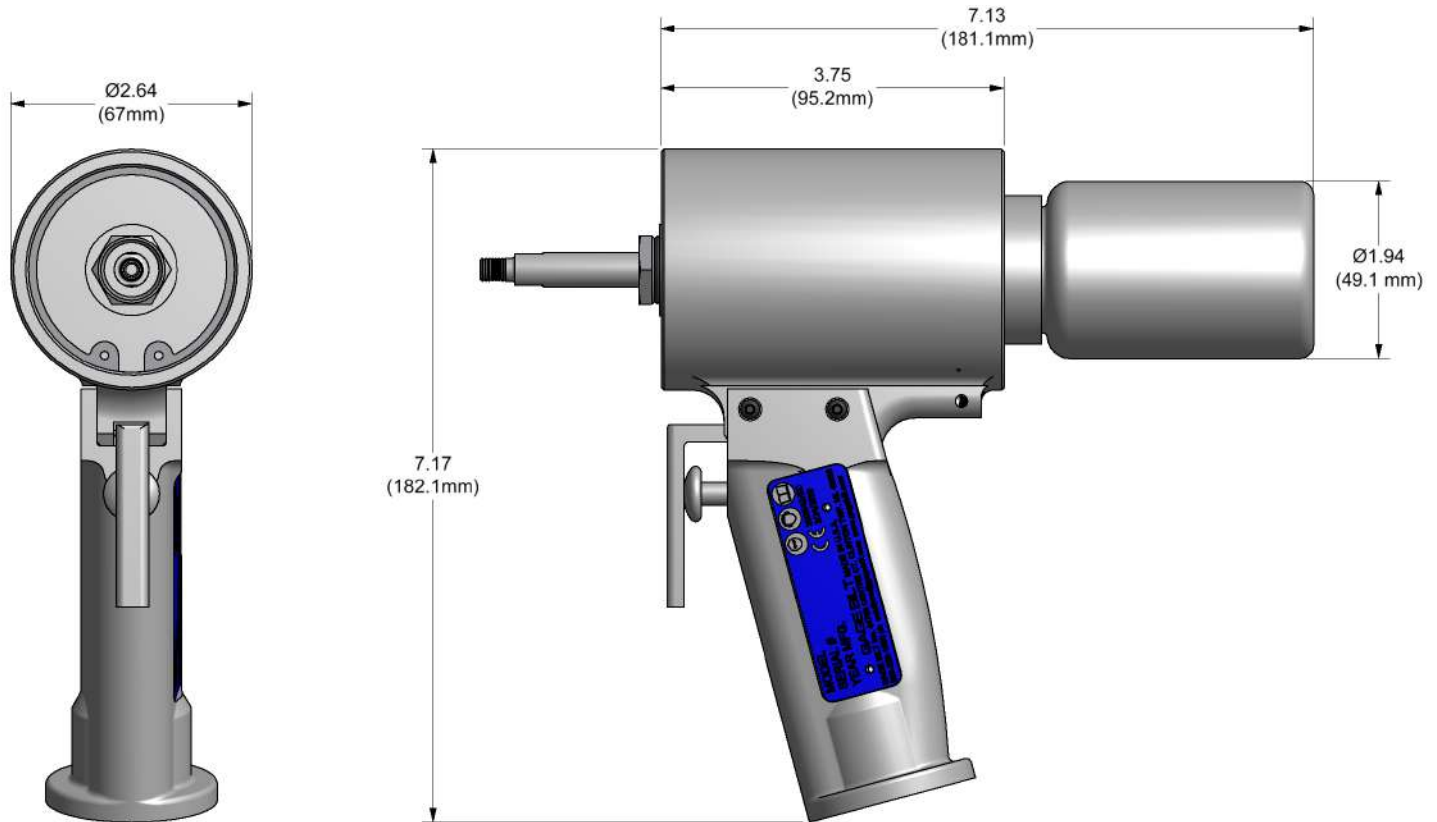
**Grip Gage for NAS LOCKBOLTS
and blind fasteners**
#GB105093 (Equivalent to #105093)



GB54B

PNEUMATIC INSTALLATION TOOL

NEW
INNOVATION



DESCRIPTION

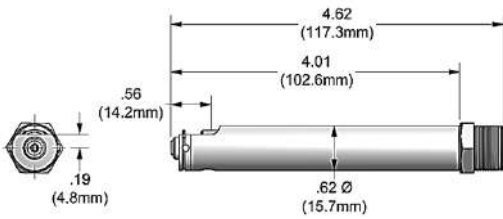
The GB54B Pneumatic Riveter is designed specifically for the most efficient installation of a wide range of blind rivets. It will install aluminum rivets through $5/32$ " diameter, and through $1/8$ " diameter rivets in any material. It weighs only 1.8 lbs. (0.82 kg) and can operate in any position, with one hand.

The GB54B Riveter is 7.17" (182.1 mm) high, has a .740" (18.8mm) stroke and generates a minimum of 600 lbs. (2.67kN) of pull at 90 psi (6.2 bar). It operates on 90-100 psi (6.2-6.9 bar) of air pressure at the tool.

The air inlet is provided with $1/4$ -18 female pipe thread to accept the users air hose fitting.

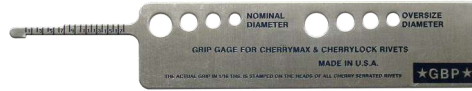
NOSE ASSEMBLIES ARE NOT FURNISHED WITH THIS TOOL AND MUST BE PURCHASED SEPARATELY.

STRAIGHT



ACCESSORIES (SOLD SEPARATELY)

Grip Gage for CHERRYMAX®
and CHERRYLOCK® rivets
269G3 (Similar to #269C3)



Grip Gage for NAS LOCKBOLTS
and blind fasteners
#GB105093 (Equivalent to #105093)



NOSE ASSEMBLY SELECTION CHART

FASTENER	DIA.	STRAIGHT
NUT PLATE RIVETS MS20600 SERIES CCR244/264/274 MS/9SP/PT BACR15CC/CF/DA/DR	3/32 1/8	3C-54-43 4C-54-43
NAS1398A/1399A NAS1738A/1739A RV 1000/1100 & 1200	3/32 1/8	3A-54-43 4A-54-43
BLIND RIVET (SINGLE ACTION) WITH OR W/OUT DRIVE WASHER NAS1900 S & U SERIES	1/8	SMLS04-54-43
OPEN END NAIL RIVET	3/32 1/8	3N-54-43 4N-54-43
CLOSED END NAIL RIVET (ALUMINUM MANDREL)	3/32 1/8	3N-54-43 4CEA-54-43
CLOSED END NAIL RIVET (STEEL MANDREL)	3/32 1/8	3N-54-43 4CES-54-43
FASTACK® AF5055	3/32 1/8	3C-54-43 4C-54-43
SUPERTACK® AF5075 AF5076 S149A020	1/8 5/32	3A-54-43 4A-54-43

FASTACK® AND SUPERTACK® ARE REGISTERED TRADEMARKS OF ALLFAST FASTENING SYSTEMS INC.

GAGE BILT CERTIFIES THE GB54B WILL INSTALL THE ABOVE FASTENERS

1) ALUMINUM ONLY.

2) ALUMINUM & STEEL ONLY.

*ALL COUNTERSUNK 'C' NOSE ASSEMBLIES MAY BE USED TO INSTALL BOTH UNIVERSAL & COUNTERSUNK HEAD RIVETS

Riveter Kits Available

Contact Gage Bilt to create your own custom kit



Alternative Option

GB50 Pneumatic Riveter
With stem catcher bag
for FOD control



See GB50 nose assembly selection chart for
GB50 nose assemblies

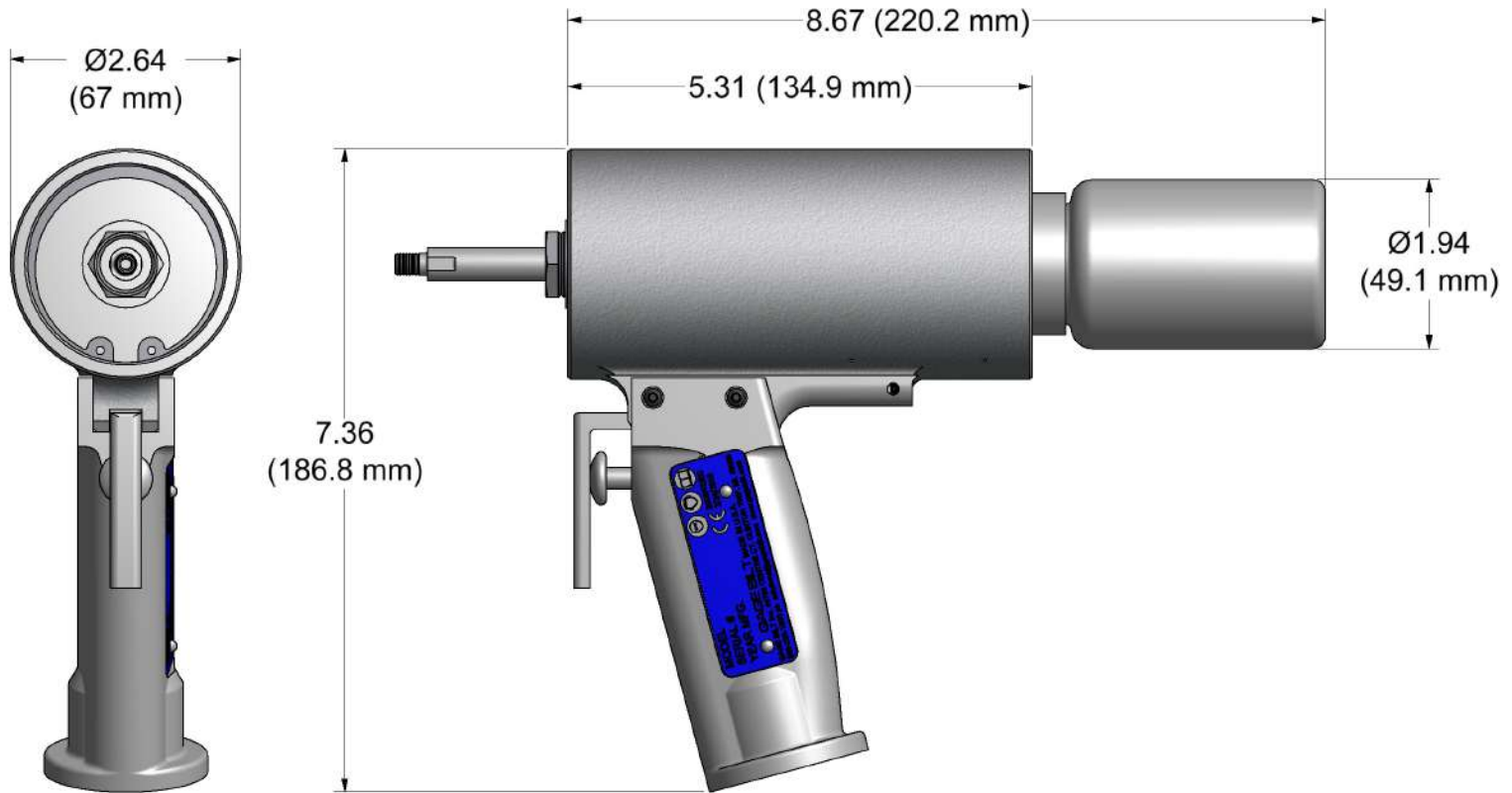
NOTE: THE LAST 2 DIGITS OF THE NOSE ASSEMBLY REPRESENTS THE LENGTH
THE NOSE EXTENDS FROM THE TOOL I.E. -20 = 2.0 INCHES

8/17

GB55B

PNEUMATIC INSTALLATION TOOL

NEW
INNOVATION



DESCRIPTION

The GB55B pneumatic riveter is designed specifically for the most efficient installation of a wide range of blind rivets. The GB55B incorporates a vacuum system to vacuum spent pintails into a bottle eliminating FOD. It will install aluminum rivets through 3/16" diameter, and through 1/8" diameter rivets in any material. It weighs only 2 1/2 lbs. (1.13 kg) and can be operated in any position with one hand.

The GB55B Riveter is 7.36" (186.6 mm) high, has a .740 (18.8 mm) stroke and generates a minimum of 1000 lbs. (4.45 kN) of pull at 90 psi. (6.2 bar). It operates on 90 to 100 psi (6.2-6.9 bar) of air pressure at the tool.

The air inlet is provided with 1/4-18 female pipe thread to accept the users air hose fitting.

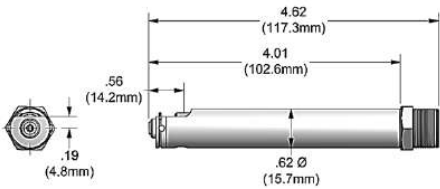
NOSE ASSEMBLIES ARE NOT FURNISHED WITH THIS TOOL AND MUST BE PURCHASED SEPARATELY.

GAGE BILT
 **MADE in USA**

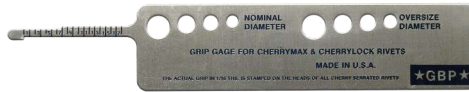
ACCESSORIES
(SOLD SEPARATELY)

NOSE ASSEMBLY SELECTION CHART

STRAIGHT



**Grip Gage for CHERRYMAX®
and CHERRYLOCK® rivets
#269G3 (Similar to #269C3)**



**Grip Gage for NAS LOCKBOLTS
and blind fasteners
#GB105093 (Equivalent to #105093)**



Riveter Kits Available
Contact Gage Bilt to create your own custom kit



Alternative Option
GB51 Pneumatic Riveter
With stem catcher bag
for FOD control



See GB51 nose assembly selection chart for GB51 nose assemblies

FASTENER	DIA.	STRAIGHT
NUT PLATE RIVETS MS20600 SERIES CCR244/264/274 MS/9SP/PT BACR15CC/CF/DA/DR	3/32 1/8 5/32 1	3C-54-43 4C-54-43 5C-54-43
"A" CODE NAS1398A, NAS1399A NAS1740A, NAS1739A	3/32 1/8 5/32 1	3A-54-43 4A-54-43 5A-54-43
BLIND RIVET (SINGLE ACTION) WITH OR W/OUT DRIVE WASHER NAS1900 S & U SERIES	1/8 5/32 1	SMLS04-54-43 SMLS05-54-43
CHERRYMAX®, CHERRYMAX® 'AB', MBC® LOCK CREATOR BACR15FR/FP, BACR15GF/GK,	1/8	456MAX-54-43
MBC® NAS1715-1721	1/8 5/32 3/16	MBC04-54-43 MBC05-54-43 MBC06-54-43
OPEN END NAIL RIVET	3/32 1/8 5/32 2 3/16 1	3N-54-43 4N-54-43 5N-54-43 6N-54-43
CLOSED END NAIL RIVET (ALUMINUM MANDREL)	3/32 1/8 5/32 3/16	3N-54-43 4CEA-54-43 5CEA-54-43 6CEA-54-43
CLOSED END NAIL RIVET (STEEL MANDREL)	3/32 1/8 5/32	3N-54-43 4CES-54-43 5CES-54-43
FASTACK® AF5055	3/32 1/8 5/32 3/16	3C-54-43 4C-54-43 5C-54-43 6C-54-43
SUPERTACK® AF5075 AF5076 S149A020	1/8 5/32 3/16	3A-54-43 4A-54-43 5A-54-43

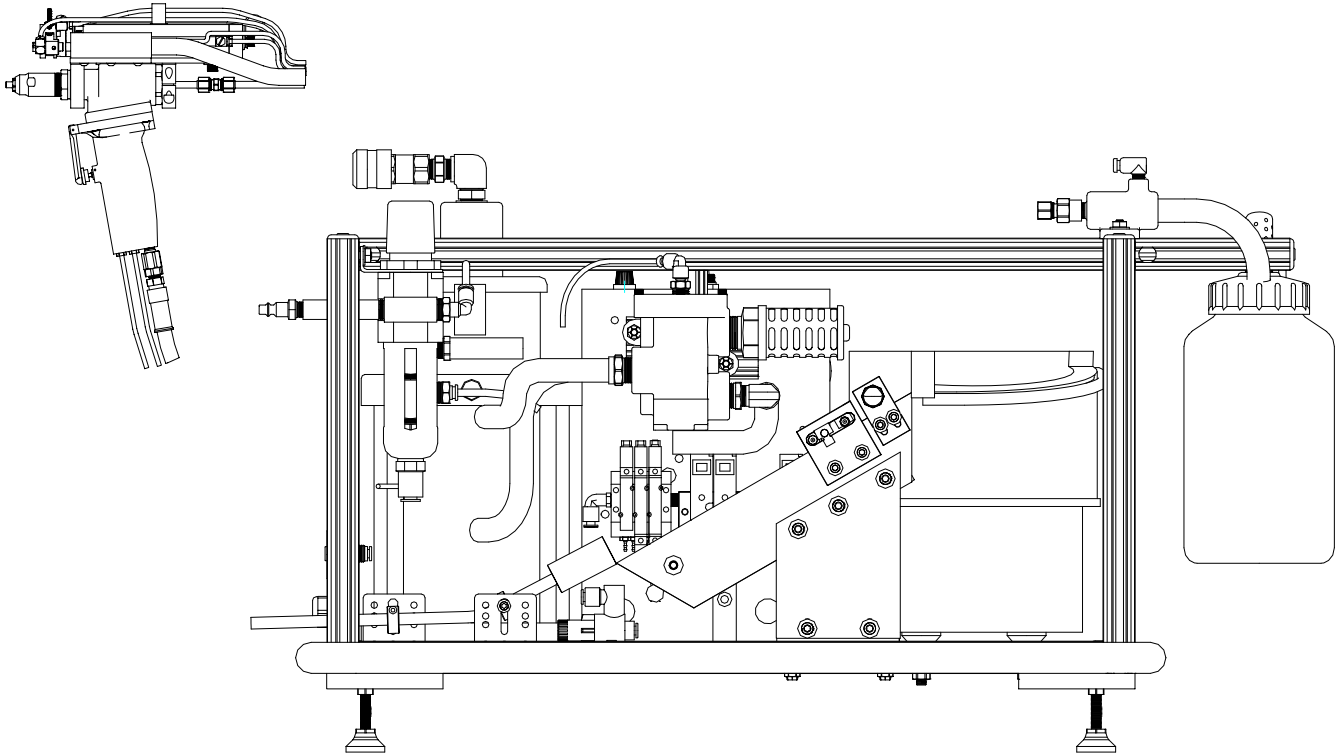
CHERRYMAX® AND MBC® ARE REGISTERED TRADEMARKS OF CHERRY AEROSPACE. FASTACK® AND SUPERTACK® ARE REGISTERED TRADEMARKS OF ALLFAST FASTENING SYSTEMS INC.

GAGE BILT CERTIFIES THE GB55B WILL INSTALL THE ABOVE FASTENERS

1) ALUMINUM ONLY.
2) ALUMINUM AND STEEL ONLY.
*ALL COUNTERSUNK 'C' NOSE ASSEMBLIES MAY BE USED TO INTSALL BOTH UNIVERSAL & COUNTERSUNK HEAD RIVETS

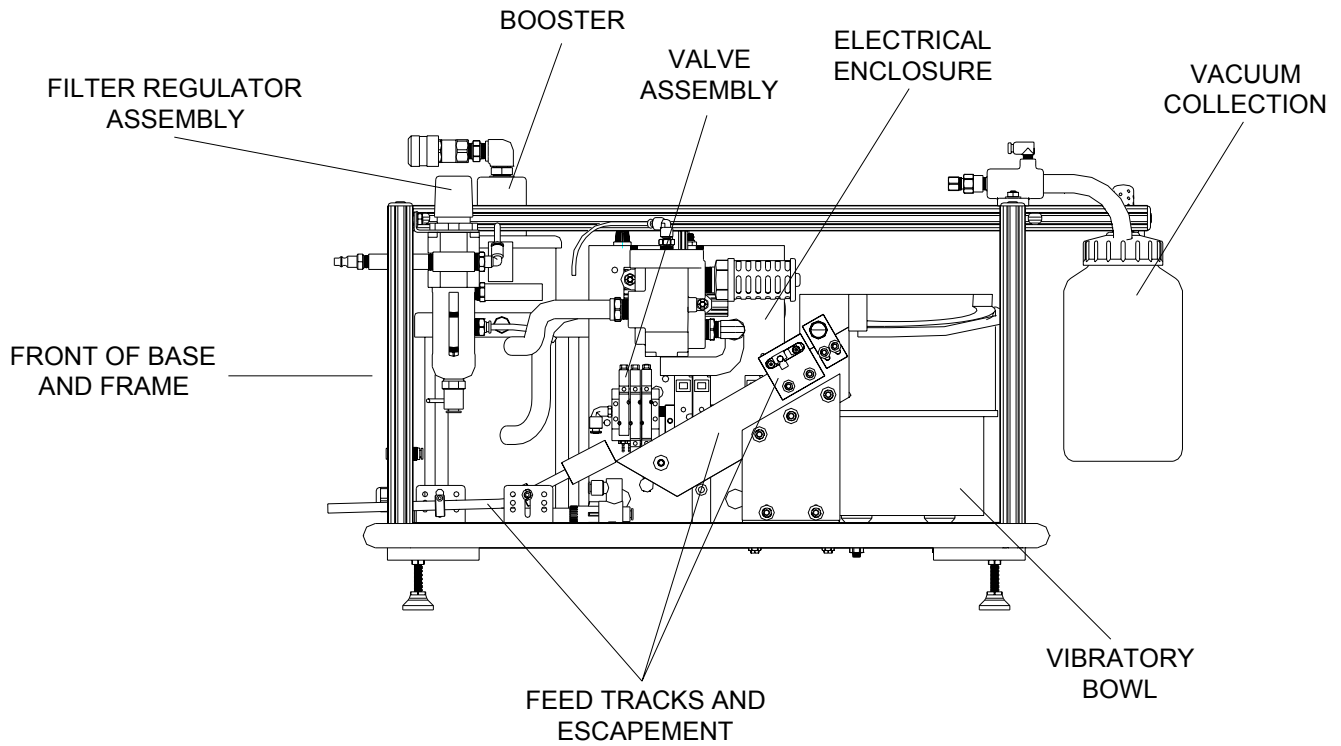
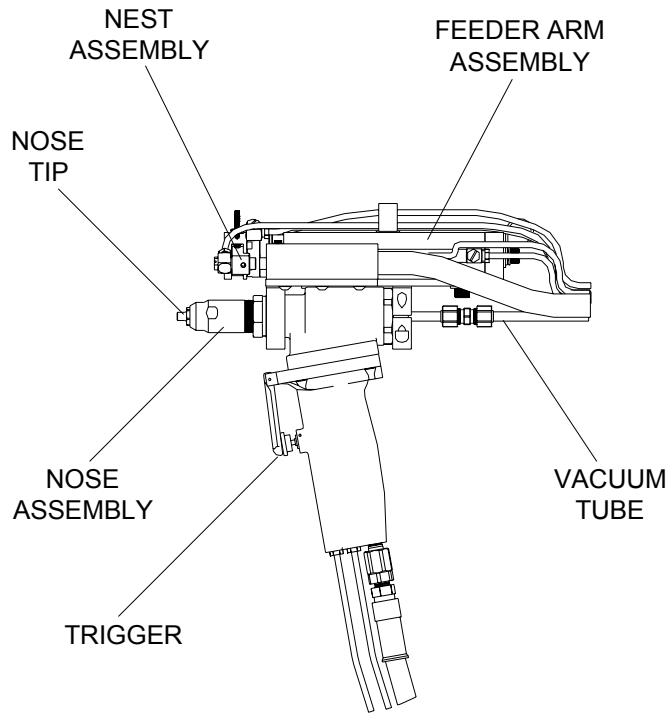
NOTE: THE LAST 2 DIGITS OF THE NOSE ASSEMBLY REPRESENTS THE LENGTH THE NOSE EXTENDS FROM THE TOOL I.E. -20 = 2.0 INCHES

GB8000 SERIES AUTO FEEDER



Gage Bilt's 8000 series semi-automated riveting systems use a hand held pistol grip or an in-line installation tool. The tool comes with a 8 foot umbilical connected to a hydraulic power unit. The tool and power unit work cooperatively with a vibratory bowl, escapement and plc controller built into a base unit of 28"x16"x14". The unit automatically presents rivets to the nose tip from the feeder with air. The rivet is then pulled into the tool via a vacuum system that also provides for the discharge of the spent pintails. The unit requires 110 vac, 80 psi minimum, with 10 CFM of compressed air. This system is capable of a feed rate of 45 rivets a minute. Contact our engineering department for specific applications. A video of this system is available at www.gagebilt.com.

GAGE BILT
MADE IN U.S.A.

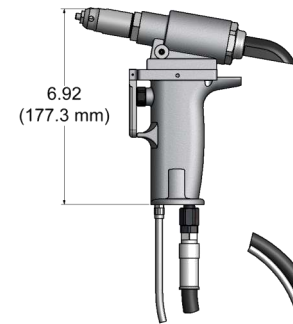


GB703

INSTALLATION TOOL SERIES

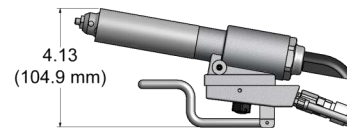
GB703

Stroke - .780" (19.8 mm)
 Hand held weight - 4.50 lbs (2 kg)
 Entire tool weight - 4.50 lbs (2kg)
 Pull load - 2,200 (9.8 kN)



GB703SH

Stroke - .780" (19.8 mm)
 Hand held weight - 2.00 lbs (.9 kg)
 Entire tool weight - 7.25 lbs (3.3 kg)
 Pull load - 2,200 (9.8 kN)



GB703SR

Stroke - .780" (19.8 mm)
 Hand held weight - 1.50 lbs (.7 kg)
 Entire tool weight - 4.50 lbs (2 kg)
 Pull load - 2,200 (9.8 kN)



**For pintail collection bottle and pintail evacuation tube options, see back.*

DESCRIPTION

The GB703 series are pneumatic-hydraulic tools designed specifically for the efficient installation of a wide range of blind rivets. They can be operated in any position with one hand. They have a rated pull load of 2,200 pounds (9.8 kN) with 90 psi (6.2 bar) of air pressure at the air inlet.

The GB703SH and GB703SR riveters offer a unique "split" system providing the operator with an ergonomic tool with reduced hand held weight, as shown below. The GB703SH comes with 8 feet of hose and the GB703SR comes with 3 feet of hose.

The GB703 series riveters operate on 90 to 100 psi (6.2-6.9 bar) of air pressure, with 90 psi (6.2 bar) providing the maximum efficiency. At 90 psi (6.2 bar) air pressure, the GB703 series does not exceed 85 dB(A) and consumes 3 cfm at 20 cycles a minute.

Unless ordered rivet specific (I.E. GB703/4N), the GB703 series riveters are furnished with nose assembly 6N-703-18 and spare nose tip 10202 and follower 40307 to convert to 4N-703-18 nose assembly. All other nose tips must be ordered separately. When ordering tool rivet specific, contact Gage Bilt for more information.



GB703-NOSE ASSEMBLY SELECTION CHART & ACCESSORIES



ACCESSORIES (SOLD SEPARATELY)

Air Bleeder Assy
#704153
(Equivalent to #700A77)



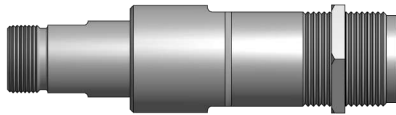
Catcher Bag
#704214
(Equivalent to #670A20)



Extensions

These extensions help reach many restricted areas by increasing the overall length of the nose assembly. They fit directly on the GB703 Installation Tool.

L	Part Number	Equivalent to:
2"	703002	743A50
4"	703004	-
6"	703006	-



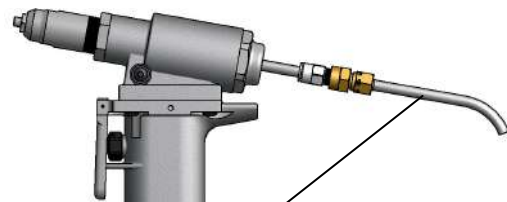
Unless ordered rivet specific (I.E. GB703/4N), the GB703 series riveters are furnished with nose assembly 6N-703-18 and spare nose tip 10202 and follower 40307 to convert to 4N-703-18 nose assembly. All other nose tips must be ordered separately. When ordering tool rivet specific, contact Gage Bilt for more information.

"VT" riveters are not furnished with the nose assemblies above and must be ordered for your specific rivet.

OPTIONS

The GB703 series riveters may be ordered with a vacuum system. Gage Bilt offers two varieties (see below).

Order GB703 series riveters rivet specific by adding the appropriate suffix (see selection chart).



"VT" DESIGNATION = PINTAIL EVACUATION TUBE (TOOL MUST BE ORDERED FOR YOUR SPECIFIC RIVET. CONTACT GAGE BILT INC. FOR SPECIFIC APPLICATIONS.)

NOSE ASSEMBLY CHART (For Non-Vacuum Tools Only) (SOLD SEPARATELY)

RIVET	DIA.	NOSE ASSEMBLY	NOSE TIP 1	JAW	FOLLOWER	DESIGNATION
AVEX® (1624 PROTRUDING HEAD)	3/16	AV6-703-18 1	10141	30617	40605	AV6
AVEX (1624 COUNTERSUNK HEAD)	3/16	6C-703-18 1	10141-1	30617	40605	6C
KLAMP-TITE® (STRUCTURAL) RIVET	3/16	6KT-703-18 1	10263	30617	40605	6KT
	1/4	8KT-743-24 2	-	-	-	8KT
MACHINE SCREW RIVET	5MM	MS5M-703-18 1	10332	30617	40605	5MM
MILLIMETER SEAL PLUG	4MM	5N-703-18 1	10203	30617	40605	5N
	5MM	6N-703-18 1	10204	30617	40605	6N
MONOBOLT® RIVET	3/16	MB06-734A-20 2,5	-	-	-	MB06
	1/4 3	MB08-734A-20 2,5	-	-	-	MB08
NUTPLATE RIVET CCR244/264/274 BACR15DR MS20600	3/32	3NP-703-18 1	10231	30617	40307	3NP
	1/8	5N-703-18 1	10203	30617	40605	5N
OPEN END NAIL RIVET	3/32	3N-703-18 1	10201	30617	40307	3N
	1/8	4N-703-18 1	10202	30617	40307	4N
	5/32	5N-703-18 1	10203	30617	40605	5N
	3/16	6N-703-18 1	10204	30617	40605	6N
CLOSED END NAIL RIVET (ALUMINUM MANDREL)	3/32	3N-703-18 1	10201	30617	40307	3N
	1/8	4CEA-703-18 1	13471	30617	40307	4CEA
	5/32	5CEA-703-18 1	13472	30617	40605	5CEA
	3/16	6CEA-703-18 1	13473	30617	40605	6CEA
CLOSED END NAIL RIVET (STEEL MANDREL)	3/32	3N-703-18 1	10201	30617	40307	3N
	1/8	4CES-703-18 1	13475	30617	40307	4CES
	5/32	5CES-703-18 1	13476	30617	40605	5CES
	3/16	6CES-703-18 1	13477	30617	40605	6CES
PLASTIC SPLIT RIVET	1/4 3	8CES-743-24 2	-	-	-	8CES
	3/32	3P-703-18 1	10247-1	30617	40307	3P
	1/8	4P-703-18 1	10202-4	30617	40307	4P
	5/32	5P-703-18 1	10203-2	30617	40605	5P
T RIVET®	3/16	6P-703-18 1	10167	30617	40605	6P
	1/4	8P-743-24 2	-	-	-	8P
TLR® RIVET	1/4 3	8T-743-24 2	-	-	-	8T
COUNTERSUNK HEAD	1/4	8TLR-743-24 2	-	-	-	8TLR
	3/16	C6-734A-20 2,5	-	-	-	C6
SERRATED STEM STRUCTURAL RIVET	1/4 4	C8-734A-20 2,5	-	-	-	C8
PROTRUDING HEAD	3/16	PH6-734A-20 2,5	-	-	-	PH6
	1/4 4	PH8-734A-20 2,3,5	-	-	-	PH8

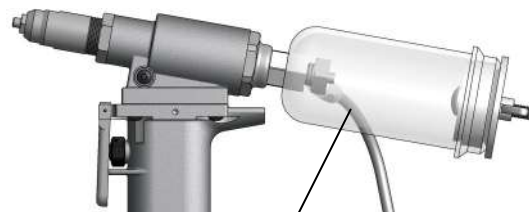
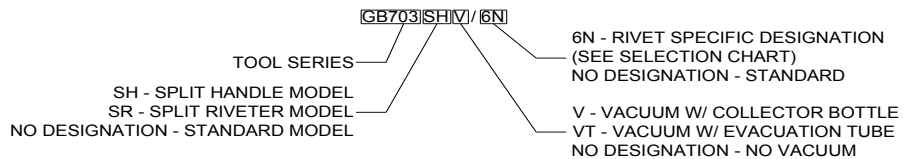
AVEX®, KLAMP-TITE®, TLR®, AND MONOBOLT® ARE REGISTERED TRADEMARKS OF AVDEL UK LIMITED. T RIVET® IS A REGISTERED TRADEMARK OF CHERRY AEROSPACE FASTENERS.

- 1) YOU CAN CHANGE THE 703-18 NOSE ASSEMBLY (INCLUDED WITH TOOL) TO INSTALL OTHER FASTENERS BY PURCHASING NOSE TIP SHOWN AND USING APPROPRIATE FOLLOWER SHOWN.
- 2) NOSE ASSEMBLIES WITH A 743-24 AND 734A-20 DESIGNATION, I.E. 8N-743-24, MUST BE ORDERED AS COMPLETE NOSE ASSEMBLY.
- 3) ALUMINUM RIVET STEEL MANDREL ONLY (100 PSI REQUIRED FOR ALL 1/4" STEEL RIVETS).
- 4) 1/4" ALUMINUM ONLY.
- 5) NOSE ASSEMBLIES WITH A 734A DESIGNATION, I.E. PH6-734A-20, ARE FOR SERRATED STEM RIVETS ONLY. IF YOU ARE PULLING BOTH SMOOTH AND SERRATED STEM RIVETS YOU MUST ORDER THE NOSE ASSEMBLY WITH A 743 DESIGNATION, I.E. MGL06-743-24.

NOTE: THE LAST 2 DIGITS OF THE NOSE ASSEMBLY REPRESENTS THE LENGTH THE NOSE EXTENDS FROM THE TOOL. I.E. -20 = 2.0 INCHES

REV. 10/14

HOW TO ORDER GB703 SERIES TOOLS



"V" DESIGNATION = PINTAIL COLLECTION BOTTLE

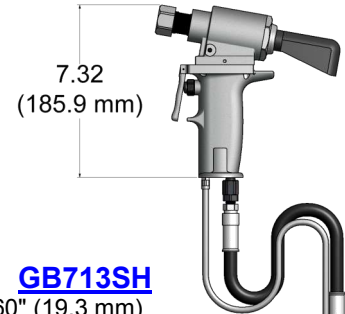
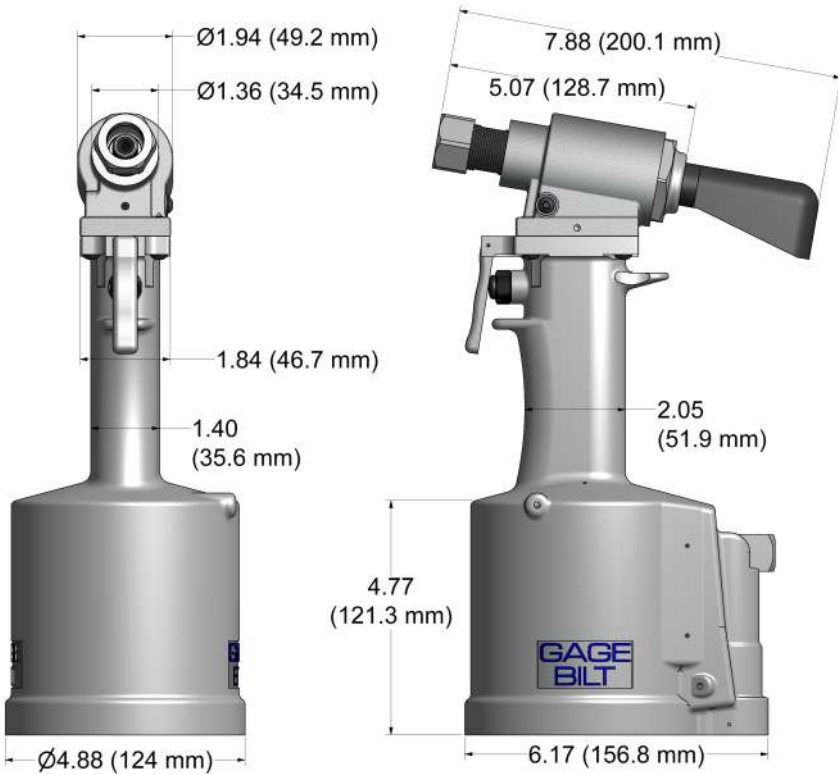
Rev. 10/16

GB713

INSTALLATION TOOL SERIES

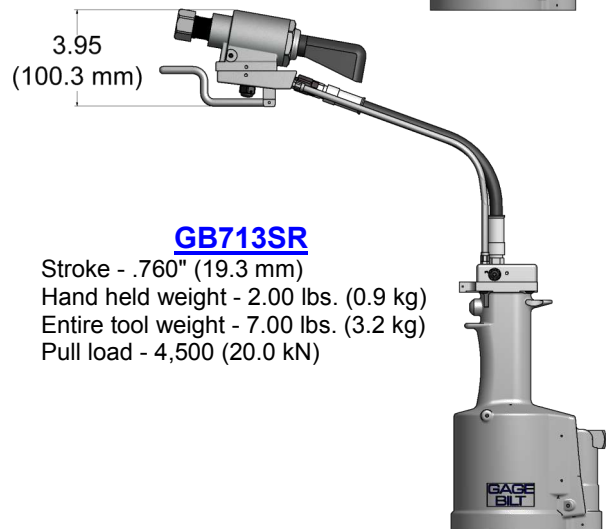
GB713

Stroke - .760" (19.3mm)
 Hand held weight - 6.50 lbs. (2.9 kg)
 Entire tool weight - 6.50 lbs. (2.9 kg)
 Pull load - 4,500 (20.0 kN)



GB713SH

Stroke - .760" (19.3 mm)
 Hand held weight - 2.50 lbs. (1.1 kg)
 Entire tool weight - 7.50 lbs. (3.4 kg)
 Pull load - 4,500 (20.0 kN)



GB713SR

Stroke - .760" (19.3 mm)
 Hand held weight - 2.00 lbs. (0.9 kg)
 Entire tool weight - 7.00 lbs. (3.2 kg)
 Pull load - 4,500 (20.0 kN)

DESCRIPTION

The GB713 series are pneumatic-hydraulic tools designed specifically for the efficient installation of blind rivets and lockbolt fasteners. They can be operated in any position. They have a rated pull load of 4,500 pounds (20.0 kN) with 90 psi. (6.2 bar) air pressure at the air inlet.

The GB713SH and GB713SR riveters offer a unique "split" system providing the operator with an ergonomic tool with reduced hand held weight, as shown above.

The GB713 series riveter operate on 90 to 100 psi. (6.2-6.9 bar) of air pressure, with 90 psi. (6.2 bar) providing the maximum efficiency. At 90 psi. (6.2 bar) of air pressure, the GB713 series does not exceed 81.5 dB(A) and consumes .30 SCF/cycle (8.50 L/cycle).

The air inlet is provided with 1/4-18 female pipe thread to accept the users air hose fitting.

NOSE ASSEMBLIES ARE NOT FURNISHED WITH TOOL AND MUST BE ORDERED SEPARATELY.

GAGE BILT



MADE in USA



GB713-NOSE ASSEMBLY SELECTION CHART & ACCESSORIES



ACCESSORIES

Air Bleeder Assy
#704153
 (EQUIVALENT TO #700A77)
 (Sold Separately)



Catcher Bag-Stem
#704214
 (Equivalent to #670A20)
 (Sold Separately)



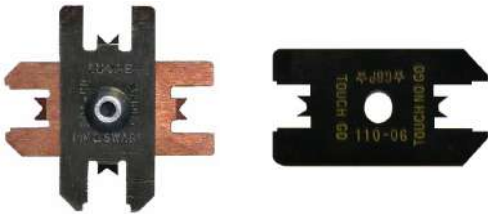
Grip Gage #269G3
 (Similar to #269C3)
 For CHERRYMAX® and
 CHERRYLOCK® rivets
 (Sold Separately)



Grip Gage #GB105093
 (Equivalent to #105093)
 For NAS LOCKBOLTS and
 blind fasteners
 (Sold Separately)



Gage Bilt also supplies pin & collar
 swage inspection gagesto certify
 swage installation.
 (Sold Separately)



NOSE ASSEMBLIES

STRAIGHT
 (Sold Separately)

RIGHT ANGLE
 (Sold Separately)

OFFSET
 (Sold Separately)



FASTENER	DIA.	STRAIGHT		*RIGHT ANGLE	*OFFSET
C6L® LOCKBOLTS	3/16	LB06-722-20	LB06-722-60		
	1/4	LB08-722-20	LB08-722-60		
MAGNA-GRIP® LOCKBOLTS	3/16	MG06-722-20	MG06-722-60		
	1/4	MG08-722-20	MG08-722-60		
BLIND BOLT (SINGLE ACTION) WITH OR W/OUT DRIVE WASHER MS90353S & U / MS90354S & U MS21140S & U / MS21141S & U MAXI-BOLT®, BACB30YY, YU, & YT	1/8	SB04-752C-20	SB04-752C-45	SB04-751B-54RA 4	SB04-752A-43OS
	5/32	SB05-752C-20	SB05-752C-45	SB05-751C-54RA 4	SB05-752A-43OS
	3/16	SB05-752C-80	SB05-752C-45		
	1/4	SB06-752B-20	SB06-752B-45	SB06-751B-54RA 4	SB06-204D-27OS 3
BLIND BOLT (SINGLE ACTION) WITH DRIVE WASHER MS90353S & U / MS90354S & U MS21140S & U / MS21141S & U CR7000 SERIES, BACB30YY, YU, & YT	1/8	UBB04-752C-20	UBB04-752C-45	UBB04-751C-54RA 4	UBB04-752A-43OS
	5/32	UBB05-752C-20	UBB05-752C-45	UBB05-751C-54RA 4	UBB05-752A-43OS
	3/16	UBB05-752C-80	UBB06-752B-45	UBB06-751B-54RA	UBB06-204D-27OS
	1/4	UBB06-752B-80	UBB08-713-45 3	UBB08-713A-58RA 3	UBB08-204D-27OS 3
EN6122 & UAB130-EU EN6127 & UAB6127-EU EN6128 & UAB100-EU EN6129 & UABP-EU	5/32	UAB568-713-21 5	UAB568-713-61 5		
	3/16			UAB06-751B-54RA 4	UAB06-752A-43OS
BLIND RIVET (SINGLE ACTION) WITH OR W/OUT DRIVE WASHER NAS1900 S & U SERIES	1/8	SMLS04-752C-20	SMLS04-752C-45	SMLS04-751B-54RA 4	SMLS04-752A-43OS
	5/32	SMLS05-752C-20	SMLS05-752C-45	SMLS05-751C-54RA 4	SMLS05-752A-43OS
	3/16	SMLS06-752B-20	SMLS06-752B-45	SMLS06-751C-54RA 4	SMLS06-752A-43OS
	1/4	SMLS08-713-20		SMLS08-713B-58RA	SMLS08-752A-43OS
"A" CODE NAS1398A & NAS1399A	3/32	3A-352B-25	4A-752C-45	3A-751B-54RA 4	4A-752A-43OS
	1/8	4A-752C-20	4A-752C-45	4A-751B-54RA 4	4A-752A-43OS
	5/32	5A-752C-20	5A-752C-45	5A-751B-54RA 4	5A-752A-43OS
	3/16	6A-752B-20	6A-752B-45	6A-751B-54RA 4	6A-752A-43OS
T RIVET®	3/16	6T-352-21	6T-352-61		
	1/4	8T-352-21	8T-352-61		
PROTRUDING HEAD, MULTI-GRIP BLIND RIVETS	3/16	MGL06-752A-21	MGL06-752A-61	MGL06-713B-58RA	
	1/4	MGL08-752A-21	MGL08-752A-61	MGL08-713B-58RA	
MONOBOLT®	3/16	MB06-752A-21	MB06-752A-61		
1/4	MB08-752A-21	MB08-752A-61			
CONTAINER BOLT(R 12) HLFP, HLRM, HLPE, HLPS HLPC & HLPSM	3/8	HT12-713-20			
TLR RIVET®	1/4	8TLR-352-21	8TLR-352-61		
CHERRYMAX®, CHERRYMAX® AB, BACR15FRFP, BACR15GF/GK	1/8	456MAX-751-23 1	456MAX-751A-61 1	456MAX-751D-54RA 1,4	456MAX-731-43OS 1
	5/32				
	3/16				
	1/4	08MAX-752B-20	08MAX-752B-45	08MAX-713A-58RA	08MAX-204D-27OS
ASP® ASP 2, ASP PF, ASP 4 FF, ASP 2 F, ASP 2 LC	13/64	ASP06-752B-20	ASP06-752B-45	ASP06-751B-54RA 4	ASP06-752A-43OS
	17/64	ASP08-752B-20	ASP08-752B-45	ASP08-751C-54RA 4	ASP08-752A-43OS
	21/64	ASPI0-713-20	ASPI0-713-45	ASPI0-204D-27OS	ASPI0-204D-37OS
STANDARD MBC® NAS1719, NAS1720 NAS1721	1/8	MBC04-752C-20	MBC04-752C-45	MBC04-751C-54RA 4	MBC04-752A-43OS
	5/32	MBC05-752C-20	MBC05-752C-45	MBC05-751C-54RA 4	MBC05-752A-43OS
	3/16	MBC06-752B-20	MBC06-752B-45	MBC06-751C-54RA 4	MBC06-752A-43OS
MBC® LOCK CREATOR NAS1719X(L), NAS1720X(L) NAS1721X(L)	1/8				
	5/32	456MAX-751-23 1	456MAX-751A-61 1	456MAX-751D-54RA 1,4	456MAX-731-43OS 1
GROUND STUD, M83454 BACS93B	8/32	GS8-752C-20	GS8-752C-45	GS8-751C-54RA 4	GS8-752A-43OS
	10/32	GS10-752B-20	GS10-752B-45	GS10-752A-54RA 4	GS10-752A-43OS
MILLIMETER PLUG SEAL	4mm	5N-751-23	5N-352-61	45N-751B-54RA 4	5N-751-43OS
	5mm	6N-751-23	6N-352-61	6N-751C-54RA 4	6N-751-43OS
POP® OPEN END NAIL RIVET	5/32	5N-751-23	5N-352-61	45N-751B-54RA 4	5N-751-43OS
	3/16	6N-751-23	6N-352-61	6N-751C-54RA 4	6N-751-43OS
	1/4	8CN-713-21	8CN-713-61	8N-713A-58RA	
POP® CLOSED END NAIL RIVET (ALUMINUM MANDREL)	5/32	5CEA-751-23	5CEA-352-61	5CEA-751B-54RA 4	5CEA-751-43OS
	3/16	6CEA-751-23	6CEA-352-61	6CEA-751C-54RA 4	6CEA-751-43OS
POP® CLOSED END NAIL RIVET (STEEL MANDREL)	5/32	5CES-751-23	5CES-352-61	5CES-751B-54RA 4	5CES-751-43OS
	3/16	6CES-751-23	6CES-352-61	6CES-751C-54RA 4	6CES-751-43OS
1/4			8CES-713A-58RA		

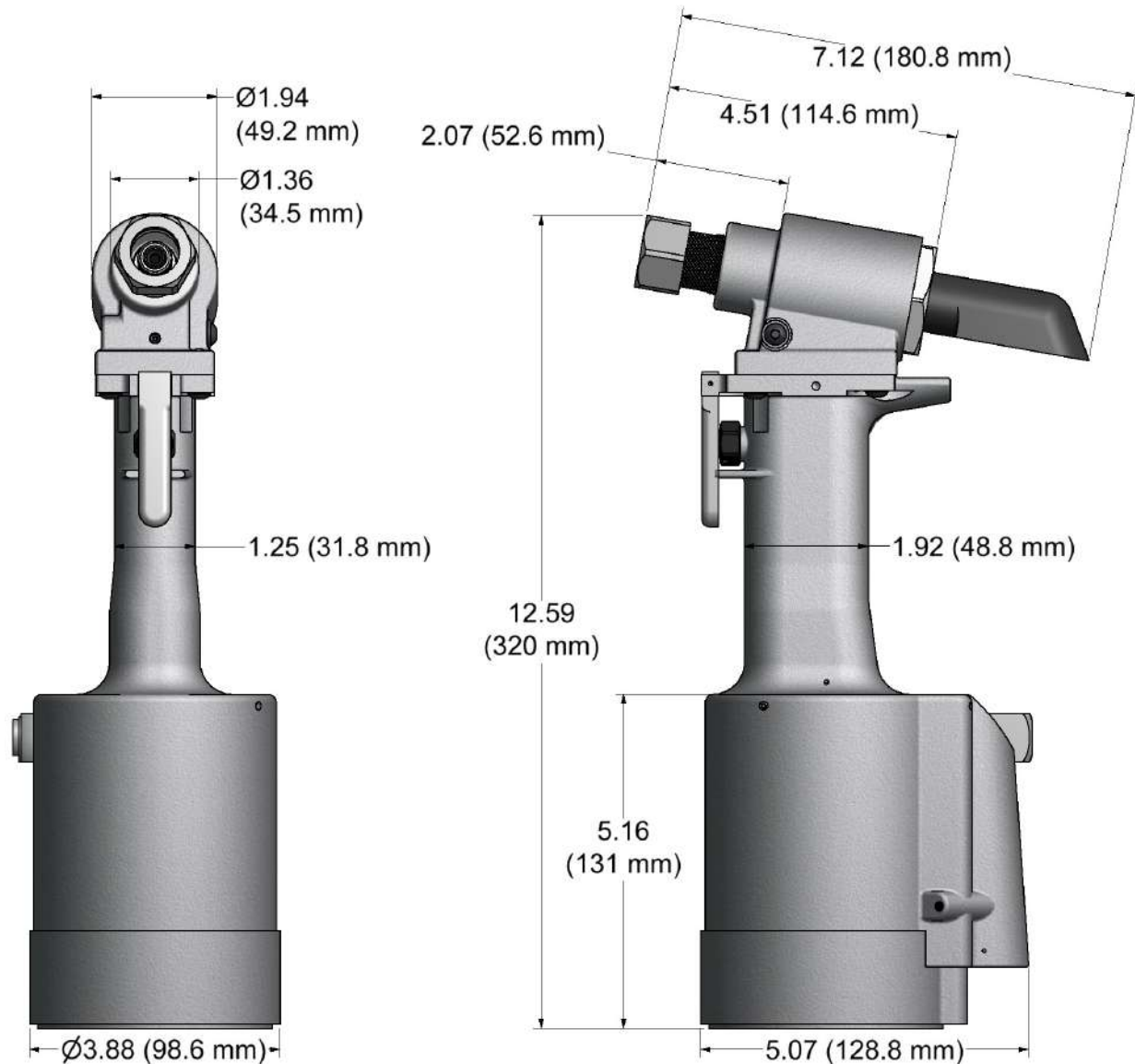
T RIVET®, CHERRYMAX®, MAXI-BOLT®, AND MBC® ARE REGISTERED TRADEMARKS OF CHERRY AEROSPACE. MONOBOLT® AND TLR® ARE REGISTERED TRADEMARKS OF AVDEL UK LIMITED. ASP®, MAGNA-GRIP® AND C6L® ARE REGISTERED TRADEMARKS OF ARCONIC INC.

GAGE BILT CERTIFIES THE GB713 WILL INSTALL THE ABOVE FASTENERS

- *ALL OFFSET 204 SERIES NOSES REQUIRE 751204 ADAPTER & 713152 STROKE LIMITER.
- 1) INSTALLS 1/8", 5/32" AND 3/16" DIAMETERS.
- 2) ALUMINUM ONLY.
- 3) 105 P.S.I. REQUIRED FOR MS90353 & MS90354.
- 4) THESE NOSES REQUIRE 713153 STROKE LIMITER.
- 5) INSTALLS 5/32", 3/16", AND 1/4"

NOTE: THE LAST 2 DIGITS OF THE NOSE ASSEMBLY REPRESENTS THE LENGTH THE NOSE EXTENDS FROM THE TOOL. IE. -20 = 2.0 INCHES

GB722 INSTALLATION TOOL



DESCRIPTION

The GB722 is a pneumatic-hydraulic tool designed specifically for the efficient installation of a wide range of blind rivets and lock-bolt fasteners. It weighs 5.50 lbs. (2.49 kg) and can be operated in any position with one hand. It has a .590" (15.0mm) rivet setting stroke and a rated pull load of 4700 lbs (20.9 kN) with 90 psi (6.2 bar) air pressure at the air inlet.

The GB722 riveter operates on 90 to 100 psi (6.2-6.9 bar) of air pressure providing the maximum efficiency. At 90 psi (6.2 bar) of air pressure, the GB722 does not exceed 81.5 dB (A) and consumes 3 cfm at 20 cycles a minute.

The air inlet is provided with 1/4-18 female pipe thread to accept the users air hose fitting.

NOSE ASSEMBLIES ARE NOT FURNISHED WITH TOOL AND MUST BE ORDERED SEPARATELY.

GAGE BILT



MADE in USA



GB722-NOSE ASSEMBLY SELECTION CHART & ACCESSORIES



ACCESSORIES (SOLD SEPARATELY)

NOSE ASSEMBLIES (SOLD SEPARATELY)

**AIR BLEEDER
ASSY**
#704153
EQUIVALENT TO
#700A77

**STEM CATCHER
BAG**
#756610
EQUIVALENT TO
#125652



**GRIP GAGE FOR NAS LOCKBOLTS AND
BLIND FASTENERS #GB105093
(EQUIVALENT TO #105093)**



**GRIP GAGE FOR CHERRYMAX® AND
CHERRYLOCK® RIVETS #269G3**



**GAGE BILT ALSO SUPPLIES PIN & COL-
LAR SWAGE INSPECTION GAGES TO
CERTIFY CORRECT SWAGE**



**GAGE BILT OFFERS A WIDE SELECTION
OF STANDARD AND CUSTOM KITS
TAILORED TO YOUR NEEDS.**

GB722CKL TRAILER AND CAB KIT



FASTENER	DIA.	STRAIGHT		*RIGHT ANGLE	**OFFSET
C6L® LOCKBOLTS	3/16 1/4	LB06-722-20 LB08-722-20	LB06-722-60 LB08-722-60		
MAGNA-GRIP® LOCKBOLTS MULTI-GRIP	3/16 1/4	MG06-722-20 MG08-722-20	MG06-722-60 MG08-722-60		
PROTRUDING HEAD, MAGNA-LOK® BLIND RIVETS	3/16 1/4	MGL06-752A-21 MGL08-752A-21	MGL06-752A-61 MGL08-752A-61	MGL06-713B-58RA MGL08-713B-58RA	
COUNTERSUNK HEAD, MAGNA-LOK® BLIND RIVETS	3/16 1/4	MGLC06-752A-21 MGLC08-752A-21	MGLC06-752A-61 MGLC08-752A-61		
BLIND BOLT (SINGLE ACTION) WITH OR W/OUT DRIVE WASHER MS90353S & U / MS90354S & U MS21140S & U / MS21141S & U MAXIBOLT®, BACB30YY, YU, & YT	1/8 5/32 3/16 1/4	SB04-752C-20 SB05-752C-20 SB05-752C-80 SB06-752B-20 SB06-752B-80 SB08-713-20	SB04-752C-45 SB05-752C-45 SB05-752C-80 SB06-752B-45 SB06-752B-80 SB08-713-45	SB04-751B-54RA SB05-751B-54RA SB06-751B-54RA	SB04-752A-43OS SB05-752A-43OS SB06-204D-27OS SB08-204D-27OS SB08-204D-37OS
BLIND BOLT (SINGLE ACTION) WITH DRIVE WASHER MS90353S & U / MS90354S & U MS21140S & U / MS21141S & U MAXIBOLT®, BACB30YY, YU, & YT	1/8 5/32 3/16 1/4	UBB04-752C-20 UBB05-752C-20 UBB05-752C-80 UBB06-752B-20 UBB06-752B-80 UBB08-713-20	UBB04-752C-45 UBB05-752C-45 UBB05-752C-80 UBB06-752B-45 UBB06-752B-80 UBB08-713-45	UBB04-751B-54RA UBB05-751B-54RA UBB06-751B-54RA	UBB04-752A-43OS UBB05-752A-43OS UBB06-204D-27OS UBB08-204D-27OS UBB08-204D-37OS
EN6122 & UAB130-EU EN6127 & UAB6127-EU EN6128 & UAB100-EU EN6129 & UABP-EU MAXIBOLT® PLUS	1/8 5/32 3/16 1/4	UAB04-752B-20 UAB568-713-21	UAB04-752B-45 UAB568-713-61	UAB04-751B-54RA UAB05-751B-54RA UAB06-751B-54RA	UAB04-752A-43OS UAB05-752A-43OS UAB06-752A-43OS UAB08-204D-27OS UAB08-204D-37OS
UNIMATIC® BLIND RIVET (SINGLE ACTION) WITH OR W/OUT DRIVE WASHER NAS1900 S & U SERIES	1/8 5/32 3/16 1/4	SMLS04-752C-20 SMLS05-752C-20 SMLS06-752B-20 SMLS08-713-20	SMLS04-752C-45 SMLS05-752C-45 SMLS06-752B-45 SMLS08-713-45	SMLS04-751B-54RA SMLS05-751B-54RA SMLS06-751B-54RA SMLS08-751B-54RA	SMLS04-752A-43OS SMLS05-752A-43OS SMLS06-752A-43OS SMLS08-204D-27OS SMLS08-204D-37OS
UNIMATIC® BLIND RIVET (SINGLE ACTION) WITH DRIVE WASHER NAS1900 S & U SERIES	1/8 5/32 3/16 1/4	456UBR-751A-21 UBR08-713-20	456UBR-751A-61 UBR08-713-45	456UBR-751D-54RA UBR08-751B-54RA	456MAX-731-43OS UBR08-204D-27OS UBR08-204D-37OS
"A" CODE NAS1398A & NAS1399A	3/32 1/8 5/32 3/16 1/4	3A-352B-25 4A-752C-20 5A-752C-20 6A-752B-20 SMLS08-713-20	4A-752C-45 5A-752C-45 6A-752B-45 SMLS08-713-45	3A-751B-54RA 4A-751B-54RA 5A-751B-54RA 6A-751B-54RA SMLS08-751B-54RA	4A-752A-43OS 5A-752A-43OS 6A-752A-43OS SMLS08-204D-27OS SMLS08-204D-37OS
MONOBOLT®	3/16 1/4	MB06-752A-21 MB08-752A-21	MB06-752A-61 MB08-752A-61	MB06-751B-54RA MB08-713-58RA	
CONTAINER BOLT(R 12) HLPP, HLFM, HLPE, HLPS HLPS & HLPSP	3/8	HT12-713-20			
CHERRYMAX®, CHERRYMAX® 'AB', MBC® LOCK CREATOR BACR15FR/FR, BACR15GF/GK,	1/8 5/32 3/16	456MAX-751-23 08MAX-752B-20	456MAX-751A-61 08MAX-752B-45	456MAX-751D-54RA 08MAX-713-58RA	456MAX-731-43OS 08MAX-204D-27OS 08MAX-204D-37OS
NAS1900 S & U SERIES BLIND RIVET WITH DRIVE WASHER	1/4	08MAX-752B-20	08MAX-752B-45	08MAX-713-58RA	08MAX-204D-27OS 08MAX-204D-37OS
ASP® ASP 2, ASP FF, ASP 4 FF, ASP 2 F, ASP 2 LC	13/64 17/64 21/64	ASP06-752B-20 ASP08-752B-20 ASP10-713-20	ASP06-752B-45 ASP08-752B-45 ASP10-713-45	ASP06-751B-54RA ASP08-751B-54RA	ASP06-752A-43OS ASP08-752A-43OS ASP10-204D-27OS ASP10-204D-37OS
NAS1719, NAS1720 NAS1721	1/8 5/32 3/16	MBC04-752C-20 MBC05-752C-20 MBC06-752B-20	MBC04-752C-45 MBC05-752C-45 MBC06-752B-45	MBC04-751C-54RA MBC05-751C-54RA MBC06-751C-54RA	MBC04-752A-43OS MBC05-752A-43OS MBC06-752A-43OS
GROUND STUD, MB3454 & BACS53B	8/32 10/32	GS8-752C-20 GS10-752B-20	GS8-752C-45 GS10-752B-45	GS8-751B-54RA GS10-752A-54RA	GS8-752A-43OS GS10-752A-43OS

MONOBOLT® IS A REGISTERED TRADEMARK OF AVDEL UK LIMITED. ASP®, C6L®, UNIMATIC®, MAGNA-LOK® AND MAGNA-GRIP® ARE REGISTERED TRADEMARKS OF ARCONIC INC. CHERRYMAX®, MAXIBOLT® AND MBC® ARE REGISTERED TRADEMARKS OF CHERRY AEROSPACE FASTENERS.

GAGE BILT CERTIFIES THE GB722 WILL INSTALL THE ABOVE FASTENERS

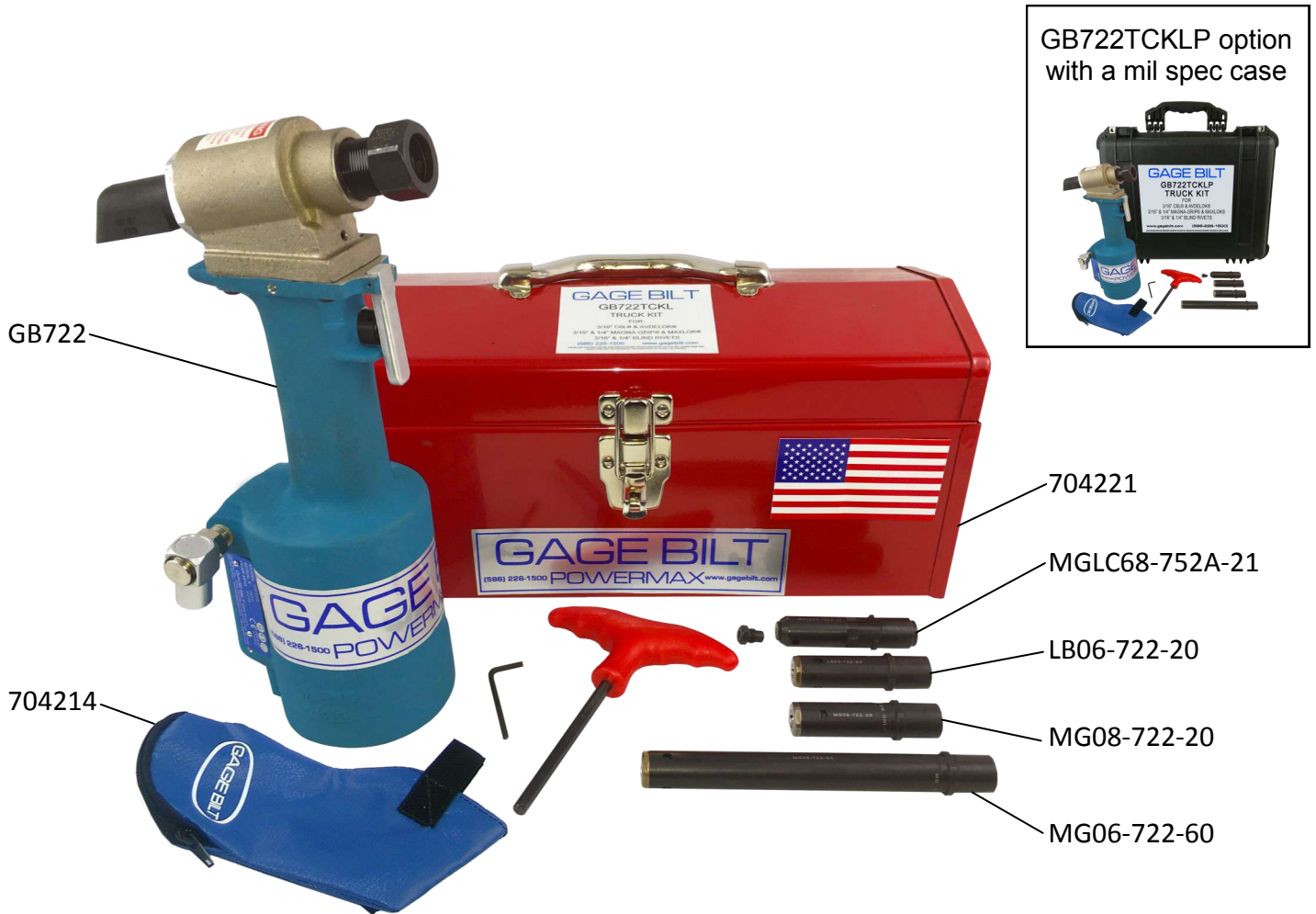
*ALL RIGHT ANGLE NOSE ASSEMBLIES REQUIRE 722142 STROKE LIMITER.
**ALL OFFSET 204 SERIES NOSES REQUIRE 751204 ADAPTER.
1) INSTALLS 1/8 5/32 & 3/16 DIAMETERS
2) RIGHT ANGLE NOSE ASSEMBLIES MAY REQUIRE MORE THAN ONE PULL.
3) INSTALLS 5/32, 3/16 & 1/4 DIAMETERS.
4) 105 PSI REQUIRED FOR MS90353 & 54
5) THESE NOSES FOR LIGHT DUTY / REPAIR ONLY. CONSULT GAGE BILT FOR HIGH PRODUCTION APPLICATIONS.
6) 2 PULLS REQUIRED FOR MOST APPLICATIONS.
7) BACS53B -10 ONLY

NOTE: THE LAST 2 DIGITS OF THE NOSE ASSEMBLY REPRESENTS THE LENGTH THE NOSE EXTENDS FROM THE TOOL . I.E. -20 = 2.0 INCHES

GAGE BILT

GB722TCKL Trailer and Cab Kit

GAGE BILT's blind rivet and lockbolt installation kit designed especially for Truck and Trailer manufacturing and maintenance facilities. The GB722TCKL is configured to meet your needs, whether you're fixing Wabash®, Great Dane®, Peterbilt®, Kenworth®, Freightliner®, Mack® or any other brand trailer or truck.



The GB722TCKL kit contains:



- Our Heavy-Duty GB722 installation tool.
- MG06-722-60 - 6" long nose assembly for 3/16" Magna-Grip® lockbolts needed to fix Kenworth® and Peterbilt®
- MG08-722-20 - 2" long nose assembly for 1/4" Magna-Grip lockbolts.
- LB06-722-20 - 2" long nose assembly for 3/16" lockbolt for stainless steel grill bolts.
- MGLC68-752A-21 - 2" long nose assembly with two nose tips for 3/16" and 1/4" structural blind rivets, in any material, for the hood and cab.
- 704214 Stem Catcher Bag to collect spent pintail stems for F.O.D. control.
- 704221 Metal Carrying Case to store all these items in one convenient place.

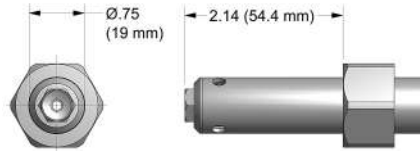
Contact us to customize your own kit.

GB722TCKL

BLIND RIVETS

(2 PULLS REQUIRED FOR MOST APPLICATIONS)

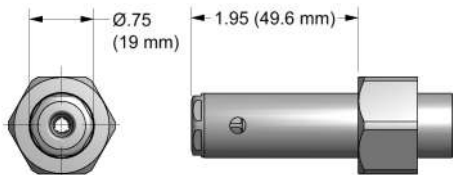
	3/16"	ALUMINUM, STEEL OR STAINLESS STEEL MAGNA-LOK® BLIND RIVET	MGLC68-752A-21 (USE 10248-4 NOSE TIP)
	1/4"	ALUMINUM, STEEL OR STAINLESS STEEL MAGNA-LOK BLIND RIVET	MGLC68-752A-21 (USE 10211-1 NOSE TIP)



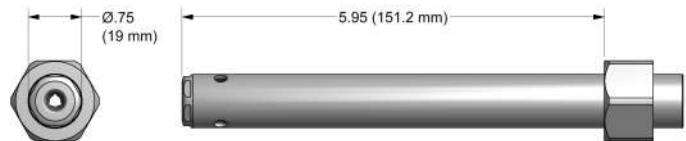
MGLC68-752A-21

LOCKBOLTS

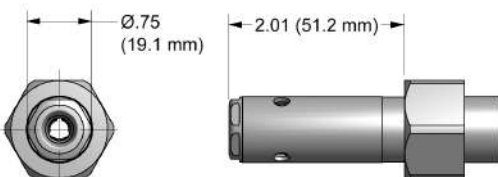
	3/16"	STAINLESS STEEL C6L®	LB06-722-20
	3/16"	STEEL C6L	
	3/16"	ALUMINUM C6L	
	3/16"	STEEL MAGNA-GRIP	MG06-722-60
	3/16"	ALUMINUM MAGNA-GRIP	
	1/4"	STEEL MAGNA-GRIP	MG08-722-20
	1/4"	ALUMINUM MAGNA-GRIP	



LB06-722-20



MG06-722-60



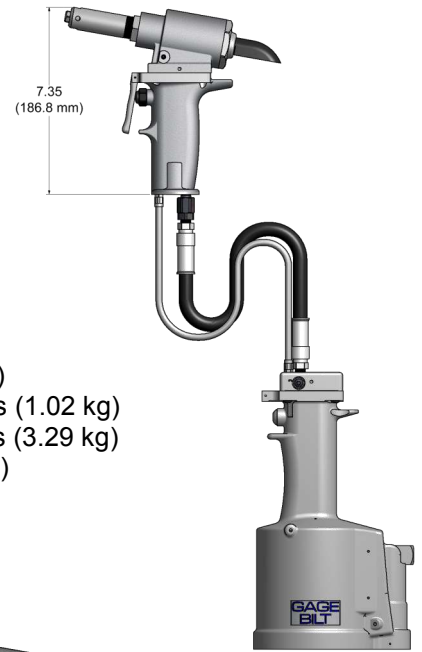
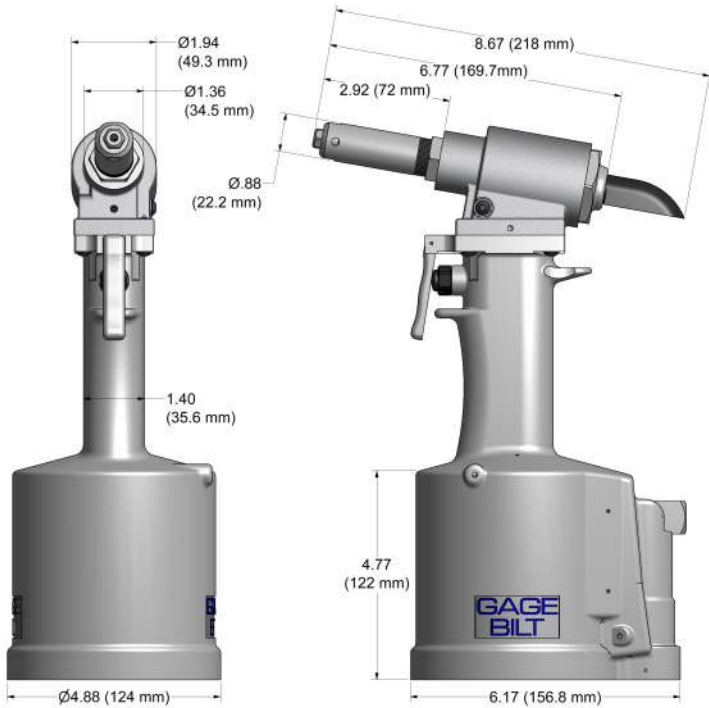
MG08-722-20

GB734

INSTALLATION TOOL SERIES

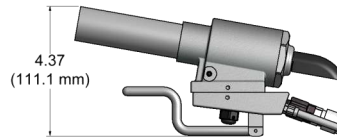
GB734

Stroke - 1.090" (27.69 mm)
 Hand held weight - 6.25 lbs (2.83 kg)
 Entire tool weight - 6.25 lbs (2.83 kg)
 Pull load - 3,000 (13.34 kN)



GB734SH

Stroke - 1.090" (27.69 mm)
 Hand held weight - 2.25 lbs (1.02 kg)
 Entire tool weight - 7.25 lbs (3.29 kg)
 Pull load - 3,000 (13.34 kN)



GB734SR

Stroke - 1.090" (27.69 mm)
 Hand held weight - 1.75 lbs (1.79 kg)
 Entire tool weight - 6.75 lbs (3.06 kg)
 Pull load - 3,000 (13.34 kN)

**For pintail collection bottle and pintail evacuation tube options, see back.*

DESCRIPTION

The GB734 series are pneumatic-hydraulic tools designed specifically for the efficient installation of a wide range of blind rivets. They can be operated in any position with one hand. They have a rated pull load of 3000 lbs (13.34 kN) with 90 psi (6.2 bar) air pressure at the air inlet.

The GB734SH and GB734SR riveters offer a unique "split" system providing the operator with an ergonomic tool with reduced hand held weight, as shown below. The GB734SH comes with 8 feet of hose and the GB734SR comes with 3 feet of hose.

The GB734 series riveters operate on a wide range of air pressure, with 90 to 100 psi (6.2-6.9 bar) providing the maximum efficiency. At 90 psi (6.2 bar) air pressure, the GB734 series does not exceed 81.5 dB(A) and consumes 3 cfm at 20 cycles a minute.



GB734 SERIES SELECTION CHART

ACCESSORIES (SOLD SEPARATELY)

Air Bleeder Assy
#704153 (Equivalent to #700A77)



Catcher Bag
#704214 (Equivalent to #670A20)



Unless ordered rivet specific (I.E. GB734/4N), the GB734 series riveters are furnished with nose assembly 8N-743-24 and spare nose tip 10204 to convert to 6N-743-24. All other nose tips must be ordered separately. When ordering tool rivet specific, contact Gage Bilt for more information.

NOSE ASSEMBLIES (For Non-Vacuum Tools Only) (SOLD SEPARATELY)

RIVET	DIA.	NOSE ASSEMBLY	NOSE TIP	JAW	FOLLOWER	DESIGNATION
AVEX® (1624 PROTRUDING HEAD)	3/16	AV6-743-24 1	10248-7	30824	48808	AV6
AVEX (1624 COUNTERSUNK HEAD)	3/16	6C-743-24 1	10248-8	30824	48808	6C
BULB-TITE® (STRUCTURAL) RIVET	1/4	BT08-743-24 1	10391	30824	48808	BT08
	9/32	BT09-743-24 1	10289	30824	40901	BT09
KLAMP-TITE® (STRUCTURAL) RIVET	3/16	6KT-743-24 1	10263	30824	48808	6KT
	1/4	8KT-743-24 1	10262	30824	48808	8KT
MACHINE SCREW RIVET	5MM	MSSM-743-24 1	10332	30824	48808	5MM
MONOBOLT® RIVET	3/16	MB06-734A-20 2,3	-	-	-	MB06
	1/4	MB08-734A-20 2,3	-	-	-	MB08
OPEN END RIVET	3/32	3N-703-18 2	-	-	-	3N
NON-STRUCTURAL	1/8	4N-703-18 2	-	-	-	4N
AVEX, MAGNA-LOK®, MAGNA-BULB, HEMLOK®, KLAMP-TITE, BULB-TITE & ULTRA-GRIP® COMMERCIAL RIVETS	5/32	5N-703-18 2	-	-	-	5N
	3/16	6N-743-24 1	10204	30824	48808	6N
	1/4	8N-743-24 1	10211	30824	48808	8N
POP® CLOSED END NAIL RIVET (ALUMINUM MANDREL)	3/32	3N-703-18 2	-	-	-	3N
	1/8	4CEA-703-18 2	-	-	-	4CEA
	5/32	5CEA-703-18 2	-	-	-	5CEA
	3/16	6CEA-743-24 1	13473	30824	48808	6CEA
POP® CLOSED END NAIL RIVET (STEEL MANDREL)	3/32	3N-703-18 2	-	-	-	3N
	1/8	4CES-703-18 2	-	-	-	4CES
	5/32	5CES-703-18 2	-	-	-	5CES
	3/16	6CES-743-24 1	13477	30824	48808	6CES
	1/4	8CES-743-24 1	13469	30824	48808	8CES
STAINLESS STEEL OPEN END, CLOSED END NAIL RIVET	5/32	5SS-743-24	10203	30849	40871	5SS
PLASTIC SPLIT RIVET	3/16	6P-743-24 1	10167	30824	48808	6P
	1/4	8P-743-24 1	10166	30824	48808	8P
T RIVET®	3/16	6T-743-24 1	10209	30824	48808	6T
	1/4	8T-743-24 1	10286	30824	48808	8T
TLR® RIVET	1/4	8TLR-743-24 1	10246	30824	48808	8TLR
COUNTERSUNK HEAD						
SERRATED STEM STRUCTURAL RIVET	3/16	C6-734A-20 2	-	-	-	C6
	1/4	C8-734A-20 2	-	-	-	C8
PROTRUDING HEAD						
SERRATED STEM STRUCTURAL RIVET	3/16	PH6-734A-20 2,3	-	-	-	PH6
	1/4	PH8-734A-20 2,3	-	-	-	PH8

AVEX®, KLAMP-TITE®, HEMLOK®, AND MONOBOLT® ARE REGISTERED TRADEMARKS OF AVDEL UK LIMITED. TLR®, MAGNA-BULB®, AND MAGNA-LOK® ARE REGISTERED TRADEMARKS OF ARCONIC INC. BULB-TITE® IS A REGISTERED TRADEMARK OF GESIPA FASTENERS USA, INC. T RIVET® IS A REGISTERED TRADEMARK OF CHERRY AEROSPACE FASTENERS. ULTRA-GRIP® AND POP® ARE REGISTERED TRADEMARKS OF EMHART TECHNOLOGIES.

1) YOU CAN CHANGE THE 743-24 NOSE ASSEMBLY (INCLUDED WITH TOOL) TO INSTALL OTHER FASTENERS BY PURCHASING NOSE TIP SHOWN AND USING APPROPRIATE FOLLOWER SHOWN.

2) NOSE ASSEMBLIES WITH A 703-18 AND 734A-20 DESIGNATION, I.E. 5N-703-18, MUST BE ORDERED AS COMPLETE NOSE ASSEMBLY.

3) NOSE ASSEMBLIES WITH A 734A DESIGNATION, I.E. PH6-734A-20, ARE FOR SERRATED STEM RIVETS ONLY. IF YOU ARE PULLING BOTH SMOOTH AND SERRATED STEM RIVETS YOU MUST ORDER THE NOSE ASSEMBLY WITH A 743 DESIGNATION, I.E. MGL06-743-24.

“VT” riveters are not furnished with the nose assemblies above and must be ordered for your specific rivet.

OPTIONS

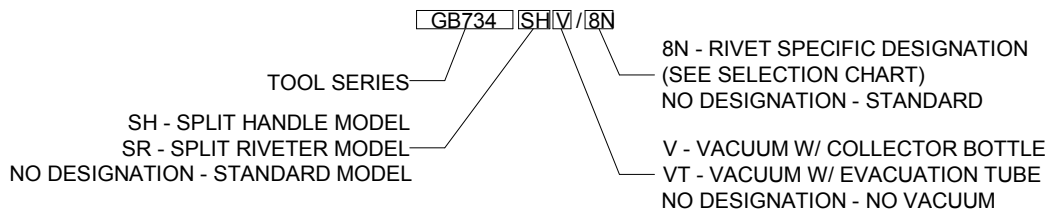
The GB734 series riveters may be ordered with a vacuum system. Gage Bilt offers two varieties (see below)

Order GB734 series riveters with the proper specification by adding the appropriate suffix (see selection chart).

NOTE: THE LAST 2 DIGITS OF THE NOSE ASSEMBLY REPRESENTS THE LENGTH THE NOSE EXTENDS FROM THE TOOL I.E. -20 = 2.0 INCHES

REV. 6/17

HOW TO ORDER GB734 SERIES TOOLS



“VT” DESIGNATION = PINTAIL EVACUATION TUBE



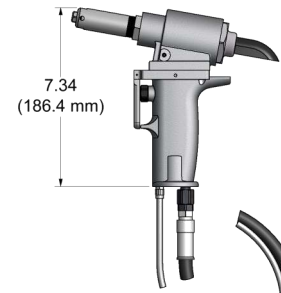
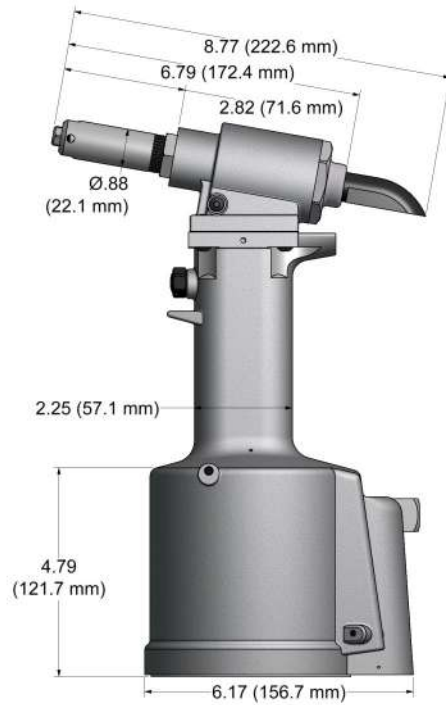
“V” DESIGNATION = PINTAIL COLLECTOR BOTTLE

GB743

INSTALLATION TOOL SERIES

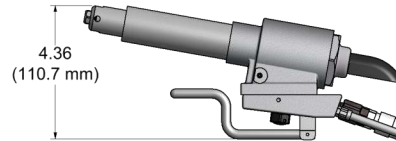
GB743

Stroke - .900" (22.86 mm)
 Hand held weight - 6.25 lbs. (2.83 kg)
 Entire tool weight - 6.25 lbs (2.83 kg)
 Pull load - 4,000 lbs. (17.79 kN)



GB743SH

Stroke - .900" (22.86 mm)
 Hand held weight - 2.25 lbs. (1.02 kg)
 Entire tool weight - 7.25 lbs (3.29 kg)
 Pull load - 4,000 lbs. (17.79 kN)



GB743SR

Stroke - .900" (22.86 mm)
 Hand held weight - 1.75 lbs. (.79 kg)
 Entire tool weight - 6.75 lbs (3.06 kg)
 Pull load - 4,000 lbs. (17.79 kN)



**For pintail collection bottle and pintail evacuation tube options, see back.*

DESCRIPTION

The GB743 series are pneumatic-hydraulic tools designed specifically for the efficient installation of a wide range of blind rivets. They can be operated in any position with one hand. They have a rated pull load of 4,200 lbs. (18.68 kN) with 90 psi (6.2 bar) of air pressure at the air inlet.

The GB743SH and GB743SR riveters offer a unique "split" system providing the operator with an ergonomic tool with reduced hand held weight, as shown above. The GB743SH comes with 8 feet of hose and the GB743SR comes with 3 feet of hose.

The GB743 series riveters operate on 90 to 100 psi (6.2-6.9 bar) of air pressure, providing the maximum efficiency. At 90 psi (6.2 bar) of air pressure, the GB743 series does not exceed 81.5 dB (A) and consumes 6 cfm at 20 cycles a minute.



GB743-NOSE ASSEMBLY SELECTION CHART & ACCESSORIES



ACCESSORIES (SOLD SEPARATELY)

AIR BLEEDER ASSY
#704153 (Equivalent to #700A77)



CATCHER BAG
#704214 (Equivalent to #670A20)



NOSE ASSEMBLIES (SOLD SEPARATELY)

RIVET	DIA.	NOSE ASSEMBLY	NOSE TIP	JAW	FOLLOWER	DESIGNATION
AVEX® (1624 PROTRUDING HEAD)	3/16	AV6-743-24 ₁	10248-7	30824	48808	AV6
AVEX (1624 COUNTERSUNK HEAD)	3/16	6C-743-24 ₁	10248-8	30824	48808	6C
BULB-TITE® (STRUCTURAL) RIVET	3/16	BT06-743-24 ₁	12282-1	30824	48808	BT06
	1/4	BT08-743-24 ₁	10391	30824	48808	BT08
	9/32	BT09-743-24 ₁	10289	30824	40901	BT09
KLAMP-TITE® (STRUCTURAL) RIVET	3/16	6KT-743-24 ₁	10263	30824	48808	6KT
	1/4	8KT-743-24 ₁	10262	30824	48808	8KT
MAGNA-TITE® RIVET (LOW PROFILE & SHAVEABLE HEAD)	3/16	6MTL-743-24 ₁	12384	30824	48808	6MTL
	1/4	8MTL-743-24 ₁	12385	30824	48808	8MTL
MAGNA-TITE® RIVET (PROTRUDING & OVAL HEAD)	3/16	6MTP-743-24 ₁	12382	30824	48808	6MTP
	1/4	8MTP-743-24 ₁	12383	30824	48808	8MTP
MILLIMETER SEAL PLUG	4MM	5N-743-24 ₁	10203	30824	48808	5N
	5MM	6N-743-24 ₁	10204	30824	48808	6N
MONOBOLT® RIVET	3/16	MB06-734A-20 ₂	-	-	-	MB06
	1/4	MB08-734A-20 ₂	-	-	-	MB08
OPEN END NAIL RIVET	3/32	3N-703-18 ₂	-	-	-	3N
	1/8	4N-703-18 ₂	-	-	-	4N
	5/32	5N-703-18 ₂	-	-	-	5N
	3/16	6N-743-24 ₁	10204	30824	48808	6N
	1/4	8N-743-24 ₁	10211	30824	48808	8N
CLOSED END NAIL RIVET (ALUMINUM MANDREL)	3/32	3N-703-18 ₂	-	-	-	3N
	1/8	4CEA-703-18 ₂	-	-	-	4CEA
	5/32	5CEA-703-18 ₂	-	-	-	5CEA
	3/16	6CEA-743-24 ₁	13473	30824	48808	6CEA
CLOSED END NAIL RIVET (STEEL MANDREL)	3/32	3N-703-18 ₂	-	-	-	3N
	1/8	4CES-703-18 ₂	-	-	-	4CES
	5/32	5CES-703-18 ₂	-	-	-	5CES
	3/16	6CES-743-24 ₁	13477	30824	48808	6CES
	1/4	8CES-743-24 ₁	13469	30824	48808	8CES
PLASTIC SPLIT RIVET	3/32	3P-703-18 ₂	-	-	-	3P
	1/8	4P-703-18 ₂	-	-	-	4P
	5/32	5P-703-18 ₂	-	-	-	5P
	3/16	6P-743-24 ₁	10167	30824	48808	6P
	1/4	8P-743-24 ₁	10166	30824	48808	8P
T RIVET®	3/16	6T-743-24 ₁	10209	30824	48808	6T
	1/4	8T-743-24 ₁	10286	30824	48808	8T
TLR® RIVET	1/4	8TLR-743-24 ₁	10246	30824	48808	8TLR
COUNTERSUNK HEAD						
SERRATED STEM	3/16	C6-734A-20 ₂	-	-	-	C6
STRUCTURAL RIVET	1/4	C8-734A-20 ₂	-	-	-	C8
PROTRUDING HEAD						
SERRATED STEM	3/16	PH6-734A-20 ₂	-	-	-	PH6
STRUCTURAL RIVET	1/4	PH8-734A-20 ₂	-	-	-	PH8

AVEX®, KLAMP-TITE®, TLR® AND MONOBOLT® ARE REGISTERED TRADEMARKS OF AVDEL UK LIMITED. T RIVET® IS A REGISTERED TRADEMARK OF CHERRY AEROSPACE FASTENERS. BULB-TITE® IS A REGISTERED TRADEMARK OF GESIPA FASTENERS USA, INC. MAGNA-TITE® IS A REGISTERED TRADEMARK OF ALCOA INC.

1) YOU CAN CHANGE THE 743-24 NOSE ASSEMBLY (INCLUDED WITH TOOL) TO INSTALL OTHER FASTENERS BY PURCHASING NOSE TIP SHOWN AND USING APPROPRIATE FOLLOWER SHOWN.

2) NOSE ASSEMBLIES WITH A 703-18 AND 734A-20 DESIGNATION, I.E. 5P-703-18₂ MUST BE ORDERED AS COMPLETE NOSE ASSEMBLY.

NOTE: THE LAST 2 DIGITS OF THE NOSE ASSEMBLY REPRESENTS THE LENGTH THE NOSE EXTENDS FROM THE TOOL. I.E. -20 = 2.0 INCHES

REV. 6/16

Unless ordered rivet specific (I.E. GB743/4N), the GB743 series riveters are furnished with nose assembly 8N-743A-24 and spare nose tip 10204 to convert to 6N-743A-24. All other nose tips must be ordered separately. When ordering tool rivet specific, contact Gage Bilt for more information.

“VT” riveters are not furnished with the nose assemblies above and must be ordered for your specific rivet.

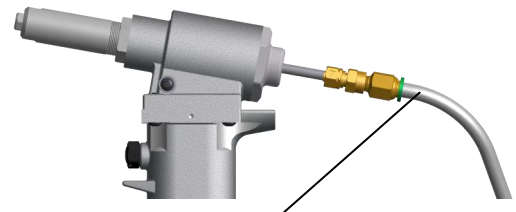
OPTIONS

The GB743 series riveters may be ordered with a vacuum system. Gage Bilt offers two varieties (see below).

Order GB743 series riveters rivet specific by adding the appropriate suffix (see selection chart).

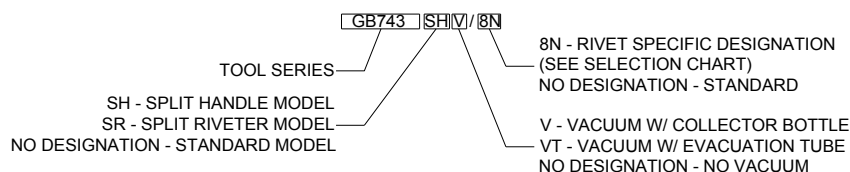


“V” DESIGNATION = PINTAIL COLLECTOR BOTTLE



“VT” DESIGNATION = PINTAIL EVACUATION TUBE
(TOOL MUST BE ORDERED FOR YOUR SPECIFIC RIVET. CONTACT GAGE BILT INC. FOR SPECIFIC APPLICATIONS.)

HOW TO ORDER GB743 SERIES TOOLS

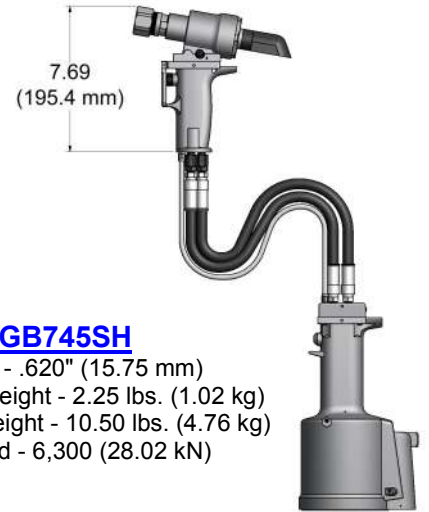
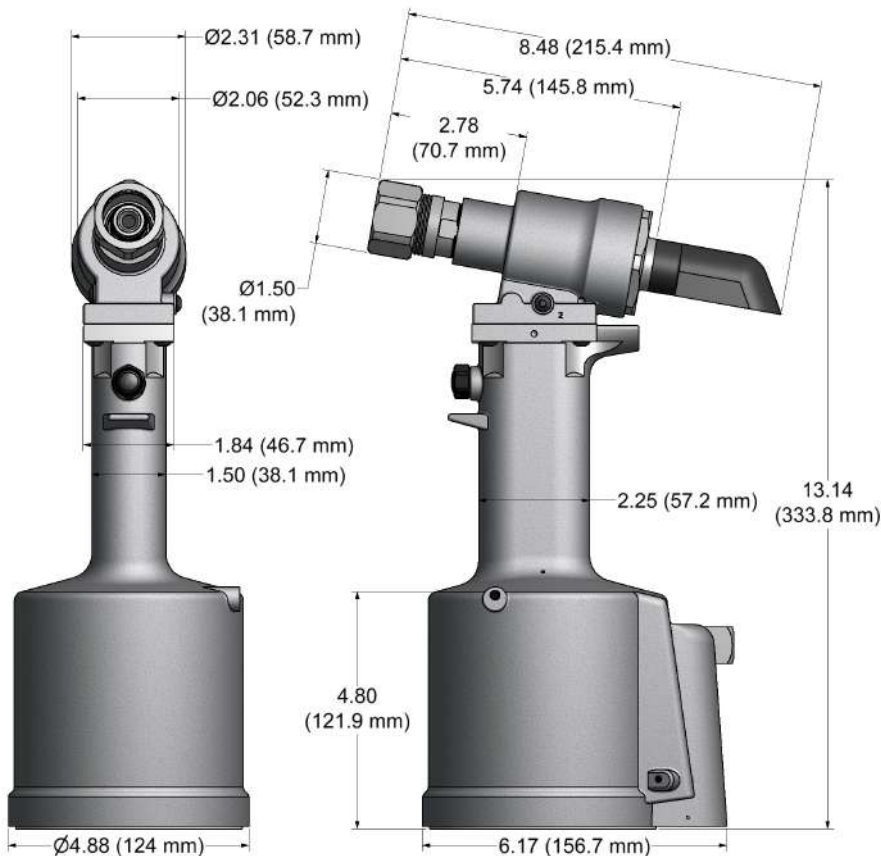


GB745

INSTALLATION TOOL

GB745

Stroke - .620" (15.75 mm)
 Hand held weight - 7.20 lbs. (3.26 kg)
 Entire tool weight - 7.20 lbs. (3.26 kg)
 Pull load - 6,300 (28.02 kN)



GB745SH

Stroke - .620" (15.75 mm)
 Hand held weight - 2.25 lbs. (1.02 kg)
 Entire tool weight - 10.50 lbs. (4.76 kg)
 Pull load - 6,300 (28.02 kN)



GB745SR

Stroke - .620" (15.75 mm)
 Hand held weight - 3.00 lbs. (1.36 kg)
 Entire tool weight - 10.2 lbs. (4.63 kg)
 Pull load - 6,300 (28.02 kN)

DESCRIPTION

The GB745 is a pneumatic-hydraulic tool designed specifically for the efficient installation of a wide range of blind rivets, lockbolts and MAGNA-GRIP® fasteners. It weighs just over 7 lbs. (3.17 kg) and can be operated in any position with one hand. It has a .620" (16.26 mm) rivet setting stroke and a rated pull load of 6300 (28.0 kN) pounds with 90 psi (6.2 bar) air pressure at the air inlet.

The GB745 riveter operates on 90 to 100 psi (6.2-6.9 bar) of air pressure, providing the maximum efficiency. At 90 psi (6.2 bar) of air pressure, the GB745 does not exceed 81.5 dB (A) and consumes 6.0 cfm at 20 cycles per minute. The GB745SH and GB745SR riveters offer a unique "split" system providing the operator with an ergonomic tool with reduced hand held weight, as shown above.

The air inlet is provided with 1/4-18 female pipe thread for accepting the user's air hose fitting.

Nose Assemblies that were designed for the Model 353 Installation Tool mount directly on the GB745 without the use of an adapter.

Nose Assemblies that were designed for the Model 352 Installation Tool will attach to the GB745 with the use of the 745751 nose assembly adapter.

NOSE ASSEMBLIES ARE NOT FURNISHED WITH THIS RIVETER AND MUST BE ORDERED SEPARATELY.

Covered under Patent No. 5,485,727



GB745-NOSE ASSEMBLY SELECTION CHART & ACCESSORIES



ACCESSORIES (SOLD SEPARATELY)

**AIR BLEEDER
ASSY**
#704153
(EQUIVALENT
TO #700A77)



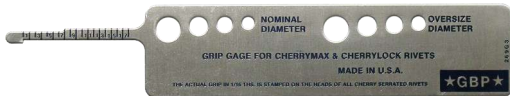
CATCHER BAG
#756610



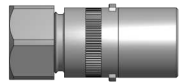
NAS LOCKBOLTS AND BLIND FASTENERS
#GB105093 (EQUIVALENT TO #105093)



**GRIP GAGE FOR CHERRYMAX® AND
CHERRYLOCK® RIVETS #269G3**
(SIMILAR TO #269C3)



745751 Adapter Assy
Adapts all offset 713 and 752 series noses



353204 Adapter Assy
Adapts all offset 204 series noses



353205 Adapter Assy
Adapts all offset 205 series noses

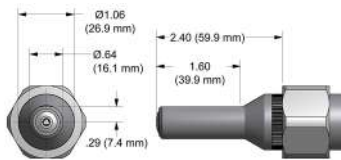


**GAGE BILT ALSO SUPPLIES PIN & COLLAR
SWAGE INSPECTION GAGES TO CERTIFY
CORRECT SWAGE INSTALLATION.**

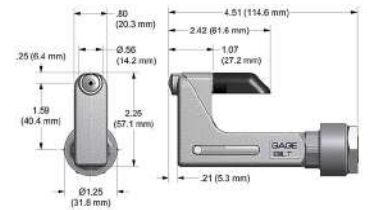


NOSE ASSEMBLIES (SOLD SEPARATELY)

STRAIGHT



*OFFSET



FASTENER	DIA.	STRAIGHT		*OFFSET		
A' CODE NAS1398 & NAS1399 'A'	1/8 5/32 3/16	4A-745C-23 5A-745C-23 6A-745B-23	4A-745C-48 5A-745C-48 6A-745B-48	4A-752A-430S _s 5A-752A-430S _s 6A-752A-430S _s		
ASP® 2 ASP® & ASP FF ASP FF & ASP F ASPLC & MAF	13/64 17/64 21/64	SMLS08-755-23 ASP06-745B-23 ASP08-745B-23 ASP10-755-23	SMLS08-755-48 ASP06-745C-48 ASP08-745C-48 ASP10-755-48	SMLS08-204D-270S ASP06-752A-430S _s ASP08-752A-430S _s ASP10-204D-370S		
BOM® AVBOLT®	1/4	BOM08-755-23				
COMMERCIAL LOCKBOLTS C6L® AVDELOK®	3/16 1/4 5/16 1 3/8 3	NAS06-745B-12 NAS06-755-23 NAS08-745B-12 NAS08-755-23 LB10-745C-26 LB12-756-26	NAS06-755-48 NAS08-755-48 NAS10-756-48 NAS12-756-48	NAS06-204C-250S NAS06-204C-340S NAS08-204D-250S NAS08-205A-31 NAS10-205C-31 NAS12-205A-31	NAS06-204C-300S NAS08-204D-300S NAS08-204C-340S	
CONTAINER BOLT	3/8	HT12-756-23				
FLOOR BOLT	5/16	FT10-353A-28				
LGP® LGPL2SC-V LGPL18SC-V LGPL4SC-V LGPL2SP-V LGPL4SP-V LGPL8SC-V LGPL9SC-V LGPL9SP-V	5/32 3/16 7/32 1/4 5/16	BACB30VM BACB30XT AB30548 BACB30VN ASNA2392 BACB30WD BACB30WB BACB30VY	LGP05-2581-12 LGP05-2581-23 LGP06-2581-12 LGP06-2581-23 LGP07-745B-12 LGP07-755-23 LGP08-2581-12 LGP08-2581-23 LGP10-745B-12 LGP10-2581-23	LGP05-204C-250S LGP05-204C-340S LGP06-204C-250S LGP06-204C-340S LGP07-204C-250S LGP07-204C-340S LGP08-204C-250S LGP08-204C-340S LGP10-205A-31	LGP05-204C-300S LGP06-204C-300S LGP06-204C-300S LGP07-204C-300S LGP08-204D-300S LGP08-205A-31	
NAS and GP® SHEAR/TENSION LOCKBOLTS	5/32 3/16 1/4 5/16 3/8 1	NASS05-755-12 NAST05-2581-12 NASS05-755-23 NAST05-755-23 NASS05-755-48 NAST05-755-48 NAS06-745B-12 NAS06-755-23 NAS08-745B-12 NAS08-755-23 NAS10-745B-12 NAS10-756-26 NAS12-745B-12 NAS12-756-26	NASS05-755-12 NAST05-2581-12 NAST05-755-23 NAST05-755-48 NAS06-755-48 NAS06-755-48 NAS08-755-48 NAS08-755-48 NAS10-756-48 NAS10-756-48 NAS12-756-48	NASS05-204C-250 NAST05-204C-200 NASS05-204C-300 NAST05-204C-300 NASS05-204C-340 NAST05-204C-340 NAS06-204C-250S NAS06-204C-300S NAS06-204C-340S NAS08-204C-250S NAS08-204D-300S NAS08-204C-340S NAS08-205A-31 NAS10-205C-31 NAS12-205A-31	NAST05-204C-200 NAST05-204C-300 NAST05-204C-340 NAST05-204C-340 NAS06-204C-300S NAS06-204C-300S NAS08-204D-300S NAS08-205A-31	
BACB30TY BACB30TZ BACB30DY BACB30DX BACB30GO	1/4 1/4 5/16	BACB30UA BACB30UB BACB30GX BACB30GP BACB30GY	NAS06-745B-12 NAS06-755-48 NAS08-745B-12 NAS08-755-48 NAS10-745B-12 NAS10-756-48 NAS12-745B-12 NAS12-756-48	NAS06-755-48 NAS06-755-48 NAS08-755-48 NAS08-755-48 NAS10-756-48 NAS10-756-48 NAS12-205A-31		
BACB30GW	3/8 1			NAS12-205A-31		
MULTI-GRIP LOCKBOLT	3/16 1/4	MG06-745-48 MG08-745-48				
PT/MS/9SP MS20600 & MS20601	1/4	PT08-745B-48				
CHERRYMAX® CHERRYMAX® 'AB' MBC® LOCK CREATOR BACR15FR/FP, BACR15GF/GK	1/8 5/32 3/16		456MAX-751-23 s 456MAX-751A-61 s	456MAX-731-430S s		
NAS1900 S & U SERIES BLIND RIVET WITH DRIVE WASHER	1/4	08MAX-745B-23	08MAX-745C-48	08MAX-204D-270S	08MAX-204D-370S	
BLIND BOLT (SINGLE ACTION) WITH OR W/OUT DRIVE WASHER	5/32 3/16 1/4 5/16 2	SB05-745C-23 SB06-745B-23 SB08-755-23 SB10-756-28	SB05-745C-48 SB06-745B-48 SB08-755-48 SB10-756-48	SB05-752A-430S _s SB06-204D-270S SB08-204D-270S SB10-205A-35	SB06-204D-370S SB08-204D-370S SB08-204D-370S	
BLIND BOLT (SINGLE ACTION) WITH DRIVE WASHER	5/32 3/16 1/4 5/16 2	MS90353S & U / MS90354S & U MS21140S & U / MS21141S & U CR7000 SERIES, BACB30YY, YU, & YT	UBB05-745C-23 UBB06-745B-23 UBB08-755-23 UBB10-756-28	UBB05-745C-48 UBB06-745B-48 UBB08-755-48 UBB10-756-48	UBB05-752A-430S _s UBB06-204D-270S UBB08-204D-270S UBB10-205B-35	UBB06-204D-370S UBB08-204D-370S UBB08-204D-370S
EN6122 & UAB130-EU EN6127 & UAB6127-EU EN6128 & UAB100-EU EN6129 & UABP-EU	5/32 3/16 1/4		UAB568-713-21 4 UAB568-713-61 4	UAB05-752A-430S _s UAB06-752A-430S _s UAB08-204D-270S	UAB08-204D-370S	
BLIND RIVET (SINGLE ACTION) WITH OR W/OUT DRIVE WASHER	1/8 5/32 3/16 1/4	SMLS04-745C-23 SMLS05-745C-23 SMLS06-745B-23 SMLS08-755-23	SMLS04-745C-48 SMLS05-745C-48 SMLS06-745B-48 SMLS08-755-48	SMLS04-752A-430S _s SMLS05-752A-430S _s SMLS06-752A-430S _s SMLS08-204D-270S		
NAS1900 S & U SERIES	1/4	SMLS08-755-23	SMLS08-755-48	SMLS08-204D-270S		

ASP®, BOM®, C6L®, LGP® AND GP® ARE REGISTERED TRADEMARKS OF ARCONIC INC. AVBOLT® AND AVDELOK® ARE REGISTERED TRADEMARKS OF AVDEL UK LIMITED. MAXI-BOLT® AND MBC® ARE REGISTERED TRADEMARKS OF CHERRY AEROSPACE FASTENERS.

GAGE BILT CERTIFIES THE GB745 WILL INSTALL THE ABOVE FASTENERS

*ALL OFFSET 204 SERIES NOSES REQUIRE 353204 ADAPTER, & ALL OFFSET 205 SERIES NOSES REQUIRE 353205 ADAPTER.	
1)	ALL MATERIALS EXCEPT TITANIUM & STAINLESS.
2)	100 PSI REQUIRED FOR ALLOY (MS90353 & 4).
3)	GENERAL PURPOSE LOCKBOLTS ONLY.
4)	INSTALLS 5/32, 3/16 & 1/4 DIAMETERS.
5)	INSTALLS 1/8, 5/32, & 3/16 DIAMETERS.
6)	ALL OFFSET 713 AND 752 SERIES NOSES REQUIRE 745751 ADAPTER.
7)	105 P.S.I. REQUIRED FOR ALLOY STEEL.

NOTE: THE LAST 2 DIGITS OF THE NOSE ASSEMBLY REPRESENTS THE LENGTH THE NOSE EXTENDS FROM THE TOOL. I.E. -20 = 2.0 INCHES

GAGE BILT...solutions





Introducing the GB745LBK & GB745LBK-1

GAGE BILT now offers a complete installation kit for 3/16" thru 3/8" C6L® & Avdelok® commercial lockbolts. The GB745LBK comes with a set of straight noses to install -6, -8, -10 & -12 diameters, bleeder bottle, adapter, grip scale and pintail catcher bag. The dash one kit also includes adapters and offset noses, must items for re-work operations. All these items are stored in an easy access carrying case with manuals and data sheets.



Please view the back of this flyer for pictures of your C6L & Avdelok fasteners and noses to match.

GAGE BILT
MADE IN U.S.A.

COMMERCIAL LOCKBOLTS C6L & AVDELOK	DIA.	NOSE ASSEMBLIES	
		STRAIGHT	OFFSET
	3/16"	¹ LB06-722-20	² NAS06-204C-25OS
	1/4"	¹ LB08-722-20	³ NAS08-205A-31
	*5/16"	LB10-745C-26	³ NAS10-205D-31
	**3/8"	LB12-756-26	³ NAS12-205A-31

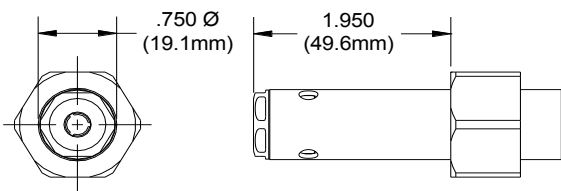
1. REQUIRES ADAPTER 745751

2. REQUIRES ADAPTER 353204.

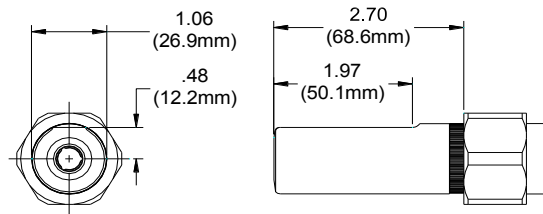
3. REQUIRES ADAPTER 353205.

*ALL MATERIALS EXCEPT TITANIUM & STAINLESS

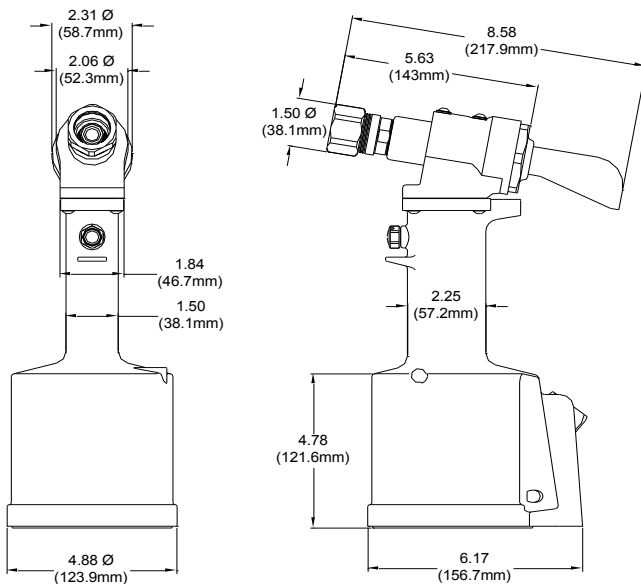
** GENERAL PURPOSE LOCKBOLTS ONLY.



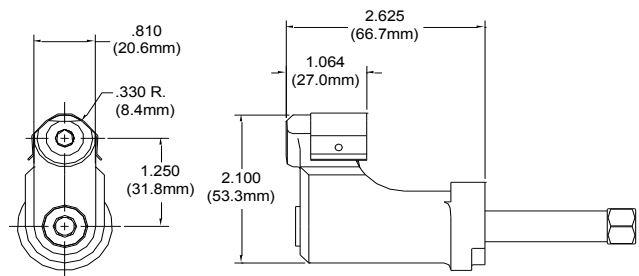
LBXX-722-20



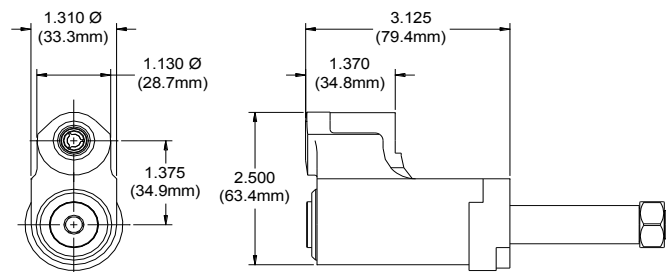
LB12-756-26



GB745



NASXX-204C-25OS



NASXX-205A-31

GAGE BILT

GB745TCK Trailer and Cab Kit

GAGE BILT's blind rivet and lockbolt installation kit designed especially for Truck and Trailer manufacturing and maintenance facilities. The GB745TCK is configured to meet your needs, whether you're fixing Wabash®, Great Dane®, Peterbilt®, Kenworth®, Freightliner®, Mack® or any other brand trailer or truck.





The GB745TCK kit contains:

- Our Heavy-Duty GB745 installation tool.
- MG06-722-60 - 6" long nose assembly for 3/16" Magna-Grip® lockbolts needed to fix Kenworth® and Peterbilt®
- MG08-722-20 - 2" long nose assembly for 1/4" Magna-Grip® lockbolts.
- LB06-722-20 - 2" long nose assembly for 3/16" lockbolt for stainless steel grill bolts.
- LB12-756-26 - 2 3/4" long nose assembly for 3/8" C6L® Huckbolt®.
- MGLC68-752A-21 - 2" long nose assembly with two nose tips for 3/16" and 1/4" structural blind rivets, in any material, for the hood and cab.
- 756610 Stem Catcher Bag to collect spent pintail stems for F.O.D. control.
- 704153 Air Bleeder Assembly
- 745751 Adapts MG06-722-60, MG08-722-20, LB06-722-20 and MGLC68-752A-21 noses to GB745 tool.

Contact us to customize your own kit.

GB745TCK

BLIND RIVETS

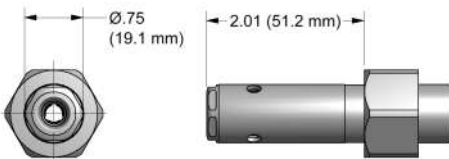
	3/16"	ALUMINUM, STEEL OR STAINLESS STEEL MAGNA-LOK® BLIND RIVET	MGLC68-752A-21 (USE 10248-4 NOSE TIP)
	1/4"	ALUMINUM, STEEL OR STAINLESS STEEL MAGNA-LOK® BLIND RIVET	MGLC68-752A-21 (USE 10211-1 NOSE TIP)



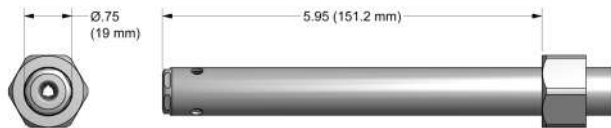
MGLC68-752A-21

LOCKBOLTS

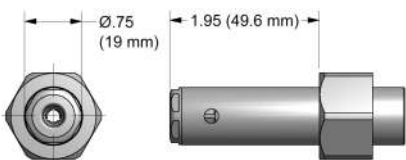
	3/16"	STAINLESS STEEL C6L®	LB06-722-20
	3/16"	STEEL C6L®	
	3/16"	ALUMINUM C6L®	
	3/16"	STEEL MAGNA-GRIP®	MG06-722-60
	3/16"	ALUMINUM MAGNA-GRIP®	
	1/4"	STEEL MAGNA-GRIP®	MG08-722-20
	1/4"	ALUMINUM MAGNA-GRIP®	
	3/8"	STEEL C6L®	LB12-756-26
	3/8"	ALUMINUM C6L®	



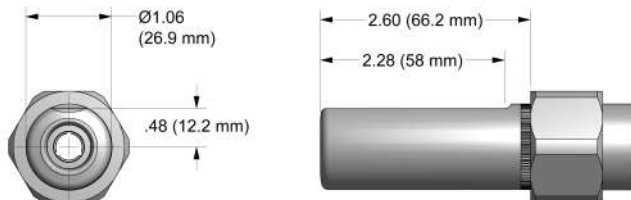
MG08-722-20



MG06-722-60



LB06-722-20



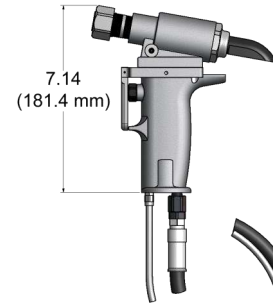
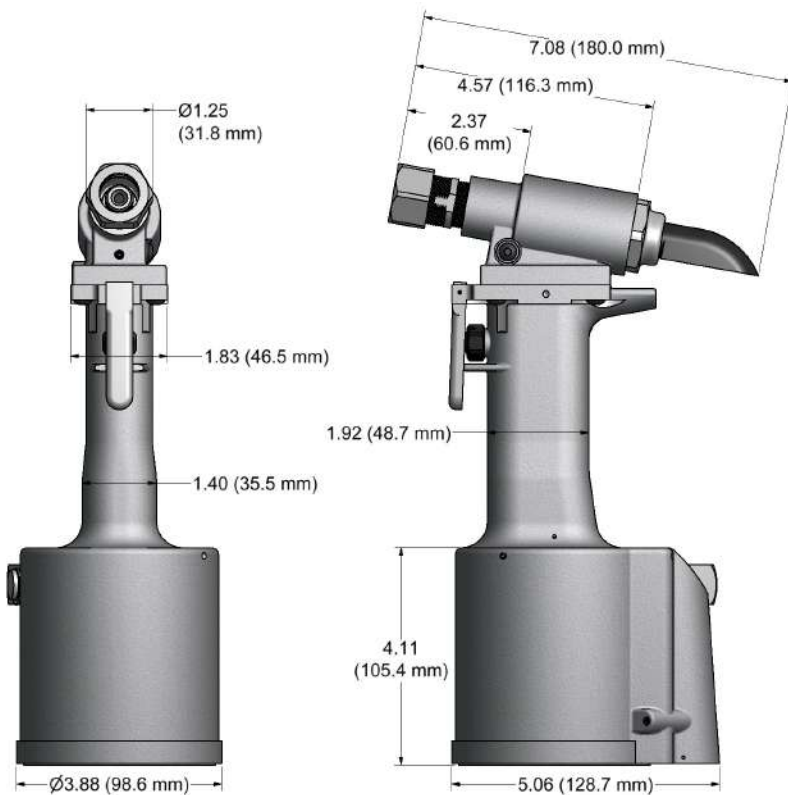
LB12-756-26

GB751

INSTALLATION TOOL SERIES

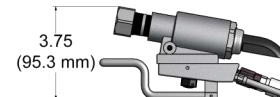
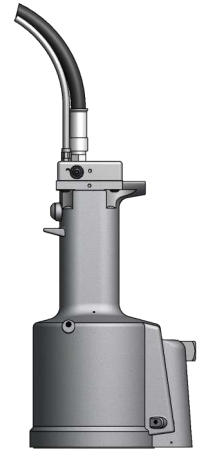
GB751

Stroke - .780" (19.8 mm)
 Hand held weight - 4.50 lbs. (2.04 kg)
 Entire tool weight - 4.50 lbs (2.04 kg)
 Pull load - 2,200 (9.79 kN)



GB751SH

Stroke - .780" (19.8 mm)
 Hand held weight - 2.25 lbs. (1.02 kg)
 Entire tool weight - 7.25 lbs (3.29 kg)
 Pull load - 2,200 (9.79 kN)



GB751SR

Stroke - .780" (19.8 mm)
 Hand held weight - 1.75 lbs. (.79 kg)
 Entire tool weight - 6.75 lbs (3.06 kg)
 Pull load - 2,200 (9.79 kN)



Note: Due to lever assembly length, GB751SR TOOLS require ~45 min. nose length for all straight noses.

DESCRIPTION

The GB751 series are pneumatic-hydraulic tools designed specifically for the efficient installation of a wide range of blind rivets. They can be operated in any position with one hand. They have a rated pull load of 2200 lbs (9.79 kN) with 90 psi (6.2 bar) air pressure at the air inlet.

The GB751SH and GB751SR riveters offer a unique "split" system providing the operator with an ergonomic tool with reduced hand held weight, as shown below.

The GB751 series riveters operate on 90 to 100 psi. (6.2-6.9 bar) of air pressure, providing the maximum efficiency. At 90 psi. (6.2 bar) of air pressure, the GB751 series does not exceed 81.5 dB (A) and consumes 3 cfm at 20 cycles a minute.

The air inlet is provided with 1/4-18 female pipe thread to accept the users air hose fitting.

NOSE ASSEMBLIES ARE NOT FURNISHED WITH THIS RIVETER AND MUST BE ORDERED SEPARATELY.



GB751-NOSE ASSEMBLY SELECTION CHART & ACCESSORIES



ACCESSORIES (SOLD SEPARATELY)

NOSE ASSEMBLIES (SOLD SEPARATELY)

AIR BLEEDER ASSY
#704153 (EQUIVALENT TO #700A77)



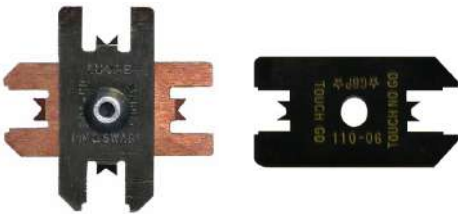
CATCHER BAG
#704214 (EQUIVALENT TO #670A20)



GRIP GAGE
FOR CHERRYMAX® AND
CHERRYLOCK® RIVETS #269G3
(SIMILAR TO #269C3)



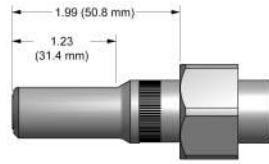
**PIN & COLLAR SWAGE
INSPECTION GAGES**
TO CERTIFY CORRECT SWAGE
INSTALLATION.



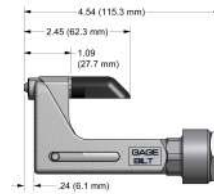
RIVETER KITS
GAGE BILT OFFERS A WIDE SELECTION
OF STANDARD AND CUSTOM KITS
TAILORED TO YOUR NEEDS.
CONTACT US FOR MORE INFORMATION.



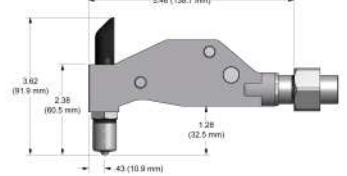
STRAIGHT



*OFFSET



*RIGHT ANGLE



FASTENER	DIA.	STRAIGHT	RIGHT ANGLE	OFFSET
BLIND BOLT (SINGLE ACTION) WITH OR W/OUT DRIVE WASHER MS90353S & U / MS90354S & U MS21140S & U / MS21141S & U MAXIBOLT®, BACB30YY, YU, & YT HS5192	1/8	SB04-752C-20 SB04-752C-80	SB04-752C-45	SB04-751B-54RA SB04-752A-43OS
	5/32	SB05-752C-20 SB05-752C-80	SB05-752C-45	SB05-751B-54RA SB05-752A-43OS
	1/4			
BLIND BOLT (SINGLE ACTION) WITH DRIVE WASHER MS90353S & U / MS90354S & U MS21140S & U / MS21141S & U MAXIBOLT®, BACB30YY, YU, & YT HS5192	1/8	UBB04-752C-20 UBB04-752C-80	UBB04-752C-45	UBB04-751B-54RA UBB04-752A-43OS
	5/32	UBB05-752C-20 UBB05-752C-80	UBB05-752C-45	UBB05-751B-54RA UBB05-752A-43OS
	1/4			
EN6122 & UAB130-EU EN6127 & UAB6127-EU EN6128 & UAB100-EU EN6129 & UABP-EU MAXIBOLT® PLUS	5/32			
	3/16			
	1/4			
UNIMATIC® BLIND RIVET (SINGLE ACTION) WITH OR W/OUT DRIVE WASHER NAS1900 S & U SERIES	1/8	SMLS04-752C-20 SMLS05-752C-20	SMLS04-752C-45 SMLS05-752C-45	SMLS04-751B-54RA SMLS05-751B-54RA
	5/32	SMLS06-752B-20 SMLS08-713-20	SMLS06-752B-45 SMLS08-713-45	SMLS06-751B-54RA SMLS08-751B-54RA
	3/16			
UNIMATIC® BLIND RIVET (SINGLE ACTION) WITH DRIVE WASHER NAS1900 S & U SERIES	1/8	456UBR-751A-21	456UBR-751A-61	456UBR-751D-54RA
	5/32			
	3/16			
"A" CODE NAS1398A & NAS1399A	3/32	3A-352B-25	4A-752C-45	3A-751C-54RA
	1/8	4A-752C-20	5A-752C-45	4A-751C-54RA
	5/32	5A-752C-20	6A-752B-45	5A-751C-54RA
NUT PLATE RIVETS CCR244/264/274 BACR15DR MS20600 HS5162	3/32	3NP-751-23	3NP-352-61	3NP-751B-54RA
	1/8	5N-751-23	5N-352-61	45N-751B-54RA
	3/16			
CHERRYMAX®, CHERRYMAX® 'AB', MBC® LOCK CREATOR BACR15FR/FP, BACR15GF/GK HS5902, HS6047, HS6048, M7885	1/8			
	5/32	456MAX-751-23	456MAX-751A-61	456MAX-751D-54RA
	3/16			
ASP® ASP 2, ASP PF, ASP 4 FF, ASP 2 F, ASP 2 LC	13/64	ASP06-752B-20	ASP06-752B-45	ASP06-751B-54RA
NAS1719, NAS1720 NAS1721	1/8	MBC04-752C-20	MBC04-752C-45	MBC04-751C-54RA
	5/32	MBC05-752C-20	MBC05-752C-45	MBC05-751C-54RA
	3/16	MBC06-752B-20	MBC06-752B-45	MBC06-751C-54RA
GROUND STUD, M83454 & BACCS53B	8/32	GS8-752C-20	GS8-752C-45	GS8-751B-54RA
	10/32	GS10-752C-20	GS10-752C-45	GS10-752A-54RA
POP® OPEN END NAIL RIVET	3/32	3N-751-23	3N-352-61	3N-751B-54RA
	1/8	4N-751-23	4N-352-61	45N-751B-54RA
	5/32	5N-751-23	5N-352-61	45N-751B-54RA
POP® CLOSED END NAIL RIVET (ALUMINUM MANDREL)	3/32	3N-751-23	3N-352-61	3N-751B-54RA
	1/8	4CEA-751-23	4CEA-352-61	45CEA-751B-54RA
	5/32	5CEA-751-23	5CEA-352-61	45CEA-751B-54RA
POP® CLOSED END NAIL RIVET (STEEL MANDREL)	3/32	3N-751-23	3N-352-61	3N-751B-54RA
	1/8	4CES-751-23	4CES-352-61	45CES-751B-54RA
	5/32	5CES-751-23	5CES-352-61	45CES-751B-54RA
FASTACK® AF5055	1/8	4C-752C-20	4C-752C-45	4C-751C-54RA
	5/32	5C-752C-20	5C-752C-45	5C-751C-54RA
	3/16	6C-752B-20	6C-752B-45	6C-751C-54RA
SUPERTACK® AF5075 AF5076 S149A020	1/8	3A-352B-25	4A-752C-45	3A-751C-54RA
	5/32	4A-752C-20	5A-752C-45	4A-751C-54RA
	3/16	5A-752C-20	6A-752B-45	5A-751C-54RA
	1/4	6A-752B-20	6A-752B-45	6A-751C-54RA

UNIMATIC® AND ASP® ARE REGISTERED TRADEMARKS OF ARCONIC INC. CHERRYMAX®, MAXIBOLT® AND MBC® ARE REGISTERED TRADEMARKS OF CHERRY AEROSPACE. FASTACK® AND SUPERTACK® ARE REGISTERED TRADEMARKS OF ALLFAST FASTENING SYSTEMS INC. POP® IS A REGISTERED TRADEMARK OF EM HART

GAGE BILT CERTIFIES THE GB751 WILL INSTALL THE ABOVE FASTENERS

1) RIGHT ANGLE NOSE ASSEMBLIES MAY REQUIRE MORE THAN ONE FULL.	PLEASE NOTE: Due to lever assembly length, the GB751SR Tools require ~45 min. nose length for all straight noses.
2) INSTALLS 1/8", 5/32" & 3/16" DIAMETERS.	
3) ALUMINUM ONLY.	
4) INSTALLS 5/32", 3/16" & 1/4" DIAMETERS.	
5) BACCS53B -10 ONLY	
6) THESE NOSES FOR LIGHT DUTY / REPAIR ONLY. CONSULT GAGE BILT FOR HIGH PRODUCTION APPLICATIONS.	

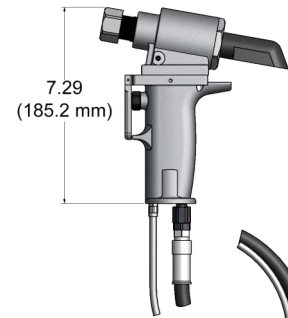
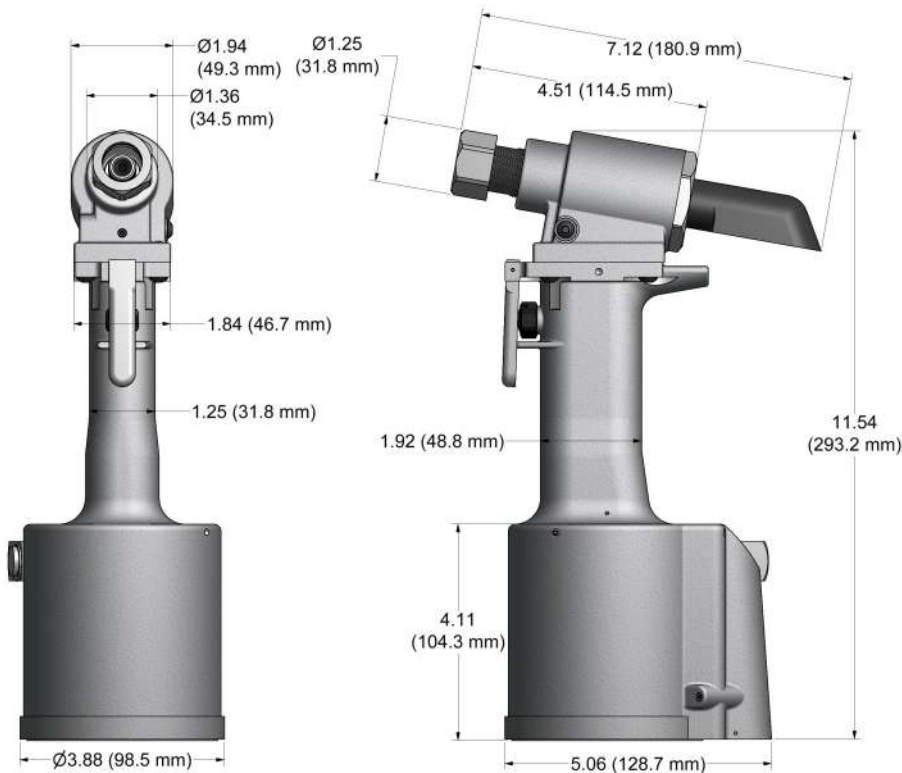
NOTE: THE LAST 2 DIGITS OF THE NOSE ASSEMBLY REPRESENTS THE LENGTH THE NOSE EXTENDS FROM THE TOOL. I.E. -20 = 2.0 INCHES

GB752

INSTALLATION TOOL SERIES

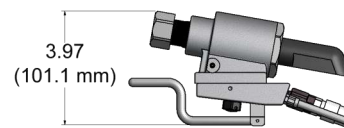
GB752

Stroke - .500" (12.7 mm)
 Hand held weight - 4.75 lbs (2.2 kg)
 Entire tool weight - 4.75 lbs (2.2 kg)
 Pull load - 3,800 lbs.(16.9 kN)



GB752SH

Stroke - .500" (12.7 mm)
 Hand held weight - 2.50 lbs (1.1 kg)
 Entire tool weight - 7.50 lbs (3.4 kg)
 Pull load - 3,800 lbs.(16.9 kN)



GB752SR

Stroke - .500" (12.7 mm)
 Hand held weight - 2.00 lbs (.9 kg)
 Entire tool weight - 7.00 lbs (3.2 kg)
 Pull load - 3,800 lbs.(16.9 kN)

Note: Due to lever assembly length, GB752SR TOOLS require -45 min. nose length for all straight noses.



DESCRIPTION

The GB752 series are pneumatic-hydraulic tools designed specifically for the efficient installation of a wide range of blind rivets. They can be operated in any position with one hand. They have a rated pull load of 3,800 lbs. (16.9 kN) with 90 psi (6.2 bar) air pressure at the air inlet.

The GB752SH and GB752SR riveters offer a unique "split" system providing the operator with an ergonomic tool with reduced hand held weight, as shown below.

The GB752 series riveters operate on 90 to 100 psi (6.2-6.9 bar) of air pressure, providing the maximum efficiency. At 90 psi (6.2 bar) of air pressure, the GB752 series does not exceed 81.5 dB (A) and consumes 3 cfm at 20 cycles a minute.

The air inlet is provided with 1/4-18 female pipe thread to accept the users air hose fitting.

NOSE ASSEMBLIES ARE NOT FURNISHED WITH THIS RIVETER AND MUST BE ORDERED SEPARATELY.

GB752-NOSE ASSEMBLY SELECTION CHART & ACCESSORIES



ACCESSORIES (SOLD SEPARATELY)

NOSE ASSEMBLIES (SOLD SEPARATELY)

AIR BLEEDER ASSY
#704153
(EQUIVALENT TO
#700A77)



CATCHER BAG
#704214
(EQUIVALENT TO
#670A20)



**GRIP GAGE FOR CHERRYMAX®
AND CHERRYLOCK® RIVETS**
#269G3 (SIMILAR TO #269C3)



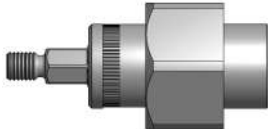
**Grip gage for NAS lockbolts
and blind fasteners**

#GB105093 (Equivalent to #105093)



730715 Adapter Assy

Adapts GB715 Series Nose Assemblies to:
Gage Bolt GB752, GB730, GB713,
GB731 & GB722



751204 Adapter Assy

Adapts 204 offset series nose
assemblies to GB752 installation tool.

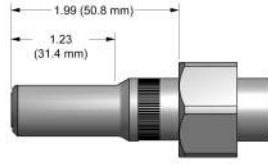


Other adapters available. Contact

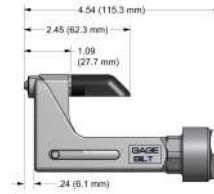
**GAGE BILT ALSO SUPPLIES PIN &
COLLAR SWAGE INSPECTION GAGES
TO CERTIFY CORRECT SWAGE
INSTALLATION.**



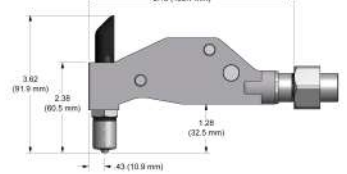
STRAIGHT



*OFFSET



*RIGHT ANGLE



FASTENER	DIA.	STRAIGHT	*RIGHT ANGLE	**OFFSET
COMMERCIAL LOCKBOLTS	3/16 1/4	LB06-722-20 LB08-722-20	LB06-722-60 LB08-722-60	
MULTI-GRIP LOCKBOLTS	3/16 1/4	MG06-722-20 MG08-722-20	MG06-722-60 MG08-722-60	
BLIND BOLT (SINGLE ACTION) WITH OR W/OUT DRIVE WASHER	1/8 5/32	SB04-752C-20 SB05-752C-20 SB05-752C-80	SB04-752C-45 SB05-752C-45	SB04-751B-54RA SB05-751B-54RA
BLIND BOLT (SINGLE ACTION) WITH DRIVE WASHER	1/8 5/32	UBB04-752C-20 UBB05-752C-20 UBB05-752C-80	UBB04-752C-45 UBB05-752C-45	UBB04-751B-54RA UBB05-751B-54RA
BLIND BOLT (SINGLE ACTION) WITH DRIVE WASHER	3/16	UBB06-752B-20 UBB06-752B-80	UBB06-752B-45	UBB06-751B-54RA UBB06-204D-27OS
EN6122 & UAB130-EU EN6127 & UAB6127-EU EN6128 & UAB100-EU EN6129 & UABP-EU MAXIBOLT® PLUS	5/32 3/16	UBB05-752C-20 UBB05-752C-45	UBB05-751B-54RA UBB05-751B-54RA	UBB05-752A-43OS UBB05-752A-43OS
UNIMATIC® BLIND RIVET (SINGLE ACTION) WITH OR W/OUT DRIVE WASHER	1/8 5/32 3/16 1/4	SMLS04-752C-20 SMLS05-752C-20 SMLS06-752B-20 SMLS08-713-20	SMLS04-752C-45 SMLS05-752C-45 SMLS06-752B-45 SMLS08-713-45	SMLS04-751B-54RA SMLS05-751B-54RA SMLS06-751B-54RA SMLS08-751B-54RA
UNIMATIC® BLIND RIVET (SINGLE ACTION) WITH DRIVE WASHER	1/8 5/32 3/16 1/4	456UBR-751A-21 UBR08-713-20	456UBR-751A-61 UBR08-713-45	456UBR-751D-54RA UBR08-751B-54RA
"A" CODE NAS1399A & NAS1399A	3/32 1/8 5/32 3/16 1/4	3A-352B-25 4A-752C-20 5A-752C-20 6A-752B-20 SMLS08-713-20	4A-752C-45 5A-752C-45 6A-752B-45	3A-751B-54RA 4A-751B-54RA 5A-751B-54RA 6A-751B-54RA
NUT PLATE RIVETS CCR244/264/274 BACR15DR MS20600	3/32 1/8	3NP-751-23 5N-751-23	3NP-352-61 5N-352-61	3NP-751B-54RA 45N-751B-54RA
CHERRY MAX®, CHERRY MAX® 'AB', MBC® LOCK CREATOR	1/8 5/32 3/16 1/4	456MAX-751-23 08MAX-752B-20	456MAX-751A-61 08MAX-752B-45	456MAX-751D-54RA 456MAX-731-43OS
ASP®	13/64 17/64	ASP06-752B-20 ASP08-752B-20	ASP06-752B-45 ASP08-752B-45	ASP06-751B-54RA
NAS1719, NAS1720 NAS1721	1/8 5/32 3/16	MBC04-752C-20 MBC05-752C-20 MBC06-752B-20	MBC04-752C-45 MBC05-752C-45 MBC06-752B-45	MBC04-751C-54RA MBC05-751C-54RA MBC06-751C-54RA
GROUND STUD, M83454 & BACS53B	8/32 10/32	GS8-752B-20 GS10-752B-20	GS8-752B-45 GS10-752B-45	GS8-751B-54RA GS10-752A-54RA
POP® OPEN END NAIL RIVET	3/32 1/8 5/32 3/16	3N-751-23 4N-751-23 5N-751-23 6N-751-23	3N-352-61 4N-352-61 5N-352-61 6N-352-61	3N-751B-54RA 45N-751B-54RA 45N-751B-54RA 6N-751C-54RA
POP® CLOSED END NAIL RIVET (ALUMINUM MANDREL)	3/32 1/8 5/32 3/16	3N-751-23 4CEA-751-23 5CEA-751-23 6CEA-751-23	3N-352-61 4CEA-352-61 5CEA-352-61 6CEA-352-61	3N-751B-54RA 45CEA-751B-54RA 45CEA-751B-54RA 6CEA-751C-54RA
POP® CLOSED END NAIL RIVET (STEEL MANDREL)	3/32 1/8 5/32 3/16	3N-751-23 4CES-751-23 5CES-751-23 6CES-751-23	3N-352-61 4CES-352-61 5CES-352-61 6CES-352-61	3N-751B-54RA 45CES-751B-54RA 45CES-751B-54RA 6CES-751C-54RA

CHERRY MAX®, T RIVETS®, MAXIBOLT® AND MBC® ARE REGISTERED TRADEMARKS OF CHERRY AEROSPACE FASTENERS. AVEX®, KLAMP-TITE®, TLR®, HEMLOCK® AND MONOBOLT® ARE REGISTERED TRADEMARKS OF AVDEL UK LIMITED. ASP®, MAGNA-LOCK®, UNIMATIC® AND MAGNA-BULB® ARE REGISTERED TRADEMARKS OF ARCONIC INC. BULB-TITE® IS A REGISTERED TRADEMARK OF GESIPA FASTENERS USA, INC. ULTRA-GRIP® AND POP® ARE REGISTERED TRADEMARKS OF EMHART TECHNOLOGIES.

GAGE BILT CERTIFIES THE GB752 WILL INSTALL THE ABOVE FASTENERS

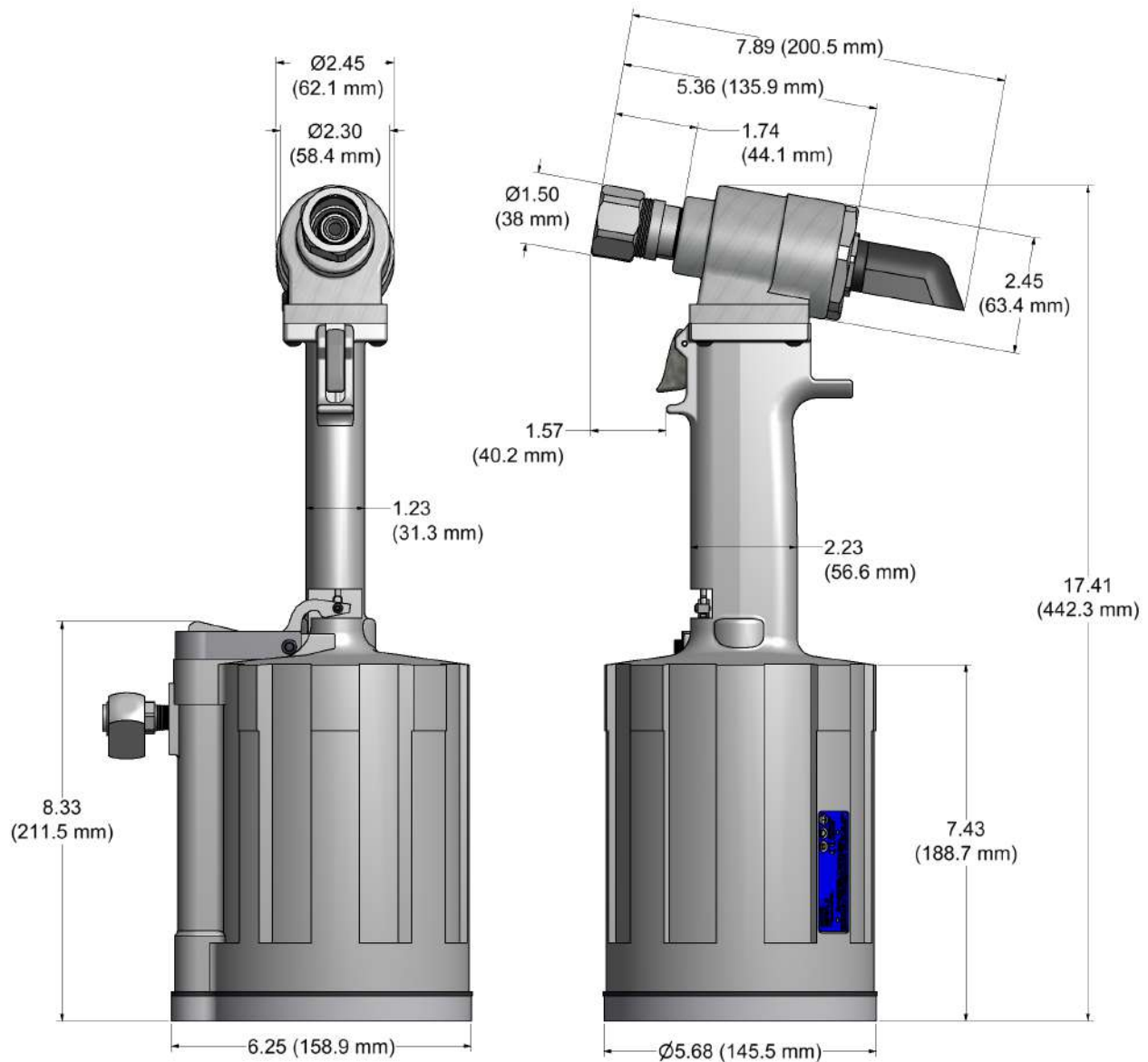
*ALL RIGHT ANGLE NOSES REQUIRE 752142 STROKE LIMITER.	PLEASE NOTE: Due to lever assembly length, the GB752SR Tools require -45 min. nose length for all straight noses.
**ALL OFFSET 204 SERIES NOSES REQUIRE 751204 ADAPTER.	
1) RIGHT ANGLE NOSE ASSEMBLY'S MAY REQUIRE MORE THAN ONE PULL.	
2) INSTALLS 1/8, 5/32 & 3/16 DIAMETERS	
3) INSTALLS 5/32 & 3/16 DIAMETERS	
4) BACS53B -10 ONLY	
5) TWO PULLS MAY BE REQUIRED FOR 1/4" DIAMETER MULTI-GRIP LOCKBOLTS	
6) THESE NOSES FOR LIGHT DUTY / REPAIR ONLY. CONSULT GAGE BILT FOR HIGH PRODUCTION APPLICATIONS.	

NOTE: THE LAST 2 DIGITS OF THE NOSE ASSEMBLY REPRESENTS THE LENGTH THE NOSE EXTENDS FROM THE TOOL. I.E. -20 = 2.0 INCHES
GB752SR MODELS MUST USE -45 LENGTH OR LONGER ON ALL 752 STYLE NOSES

Rev. 2/17

GB756

INSTALLATION TOOL



DESCRIPTION

The GB756 is a hydraulic installation tool designed specifically for the efficient installation of a wide range of blind, lockbolt and Magna-Grip® fasteners thru 3/8" diameter. It weighs 11.1 lbs. (5.03 kg) and can be operated in any position with one hand. It has a .960" (24.38 mm) rivet setting stroke and a rated pull load of 10,000 lbs. (44.48 kN).

The GB756 riveter operates on 90 to 100 psi (6.2-6.9 bar) of air pressure, providing the maximum efficiency. At 90 psi. (6.2 bar) of air pressure, the GB756 does not exceed 81.5 dB (A) and consumes 6.0 cfm at 20 cycles per minute.

The air inlet is provided with 1/4-18 female pipe thread for accepting the user's air hose fitting.

NOSE ASSEMBLIES ARE NOT FURNISHED WITH THIS RIVETER AND MUST BE ORDERED SEPARATELY.



GB756-NOSE ASSEMBLY SELECTION CHART & ACCESSORIES



ACCESSORIES (SOLD SEPARATELY)

NOSE ASSEMBLIES (SOLD SEPARATELY)

AIR BLEEDER ASSY

#704153 (EQUIVALENT TO #700A77)



CATCHER BAG #756610



GRIP GAGE FOR NAS LOCKBOLTS AND BLIND FASTENERS #GB105093 (Equivalent to #105093)

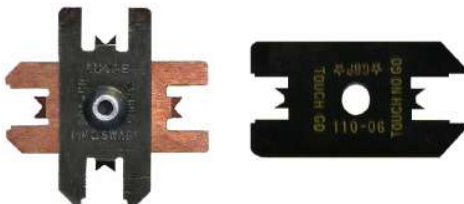


RIVETER KITS

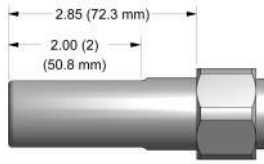
Gage Bilt offers a wide selection of standard and custom kits tailored to your needs. Contact us for more information.



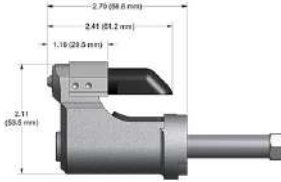
GAGE BILT ALSO SUPPLIES PIN & COLLAR SWAGE INSPECTION GAGES TO CERTIFY CORRECT SWAGE INSTALLATION.



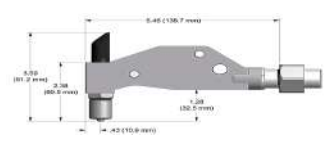
STRAIGHT



*OFFSET



RIGHT ANGLE



FASTENER	DIA.	STRAIGHT	**RIGHT ANGLE	*OFFSET	
ASP® 2 ASP & ASP FF ASP FF & ASP F ASP-LC and MAF	13/64 17/64 21/64	ASP06-745B-23 ASP08-745B-23 ASP10-755-23	ASP06-745C-48 ASP08-745C-48 ASP10-755-48	***ASP06-751B-54RA	ASP06-204D-27OS ASP08-204D-27OS ASP10-204D-27OS
BOM® AVBOLT®	1/4 5/16	BOM08-755-23 BOM10-756-26			
COMMERCIAL LOCKBOLTS C6L® AVDELOK®	3/16 1/4 5/16 3/8	NAS06-745B-12 NAS06-755-23 NAS08-745B-12 NAS08-755-23 LB10-745C-26 LB12-756-26	NAS06-755-48 NAS08-755-48 NAS10-756-48 NAS12-756-48		NAS06-204C-25OS NAS06-204C-34OS NAS08-204C-25OS NAS08-204C-34OS NAS10-205D-31 NAS12-205A-31
CONTAINER BOLT FLOOR BOLT	3/8 5/16	HT12-756-23 FT10-353A-28			
LGP® LOCKBOLT	5/32 3/16	LGP05-2581-12 LGP05-2581-48 LGP06-2581-12 LGP06-2581-48	LGP05-2581-23 LGP06-2581-23		LGP05-204C-25OS LGP05-204C-34OS LGP06-204C-25OS LGP06-204C-34OS
LGL2SC-V BACB30VM LGL18SC-V BACB30XT LGL4SC-V ABS0548 LGL2SP-V BACB30VN LGL4SP-V ASNA2392 LGL8SC-V BACB30WD LGL9SC-V BACB30WB LGL9SP-V BACB30VY	7/32 1/4 5/16 3/8	LGP07-745B-12 LGP07-755-48 LGP08-2581-12 LGP08-2581-48 LGP10-2581-12 LGP10-2581-48 LGP12-745B-12 LGP12-756-48	LGP07-755-23 LGP08-2581-23		LGP07-204C-25OS LGP07-204C-34OS LGP08-204C-25OS LGP08-204C-34OS LGP10-205D-31 LGP12-205A-31
NAS and GP® SHEAR/TENSION LOCKBOLTS	5/32 3/16	NASS05-755-12 NASS05-755-23 NASS05-755-48 NAS06-745B-12 NAS06-755-48 NAS08-745B-12 NAS08-755-48 NAS10-745B-12 NAS10-756-48 NAS12-745B-12 NAS12-756-48	NAST05-2581-12 NAST05-755-23 NAST05-755-48 NAS06-755-23 NAS08-755-23 NAS10-756-26 NAS12-756-26		NASS05-204C-25O NASS05-204C-30O NASS05-204C-34O NAS06-204C-25OS NAS06-204C-34OS NAS08-204C-25 NAS08-204C-34 NAS10-205D-31 NAS12-205A-31
BACB30TY BACB30UA BACB30TZ BACB30UB BACB30DY BACB30GX BACB30DX BACB30GP BACB30GO BACB30GY BACB30GW	1/4 5/16 3/8	NAS06-755-48 NAS08-745B-12 NAS08-755-48 NAS10-745B-12 NAS10-756-48 NAS12-745B-12 NAS12-756-48	NAS08-755-23 NAS10-756-26 NAS12-756-26		NAS08-204D-30OS NAS08-205A-31
MULTI-GRIP LOCKBOLT MAGNA-GRIP® and MAXLOK®	3/16 1/4 5/16 3/8	MG06-745-48 MG08-745-48 MG10-756-28 MG12-756-28			
MULTI-GRIP STRUCTURAL BLIND RIVET	1/4 5/16 3/8	**MGL08-752A-21 MGL10-353-28 MGL12-353C-28			
OVERSIZE STRUCTURAL RIVET	1/4 5/16 3/8	OS08-353A-48 OS10-756-26 OS12-756-26	OS10-756-48 OS12-756-48		
BLIND BOLT (SINGLE ACTION) WITH OR W/OUT DRIVE WASHER	5/32 3/16 1/4	SB05-745C-23 SB06-745B-23 SB08-755-23	SB05-745C-48 SB06-745B-48 SB08-755-48	***SB05-751B-54RA ***SB06-751B-54RA ****SB08-713A-58RA	SB05-204D-27OS SB06-204D-27OS SB08-204D-27OS SB08-205-35 SB10-205A-35 SB12-205A-35
BLIND BOLT (SINGLE ACTION) WITH DRIVE WASHER	5/32 3/16 1/4	UBB05-745C-23 UBB06-745B-23 UBB08-755-23	UBB05-745C-48 UBB06-745B-48 UBB08-755-48	***UBB05-751B-54RA ***UBB06-751B-54RA ****UBB08-713A-58RA	UBB05-204D-27OS UBB06-204D-27OS UBB08-204D-27OS UBB08-205-35 UBB10-205A-35 UBB12-205A-35
MS90353S & U / MS90354S & U MS21140S & U / MS21141S & U CR7000 SERIES, BACB30YY, YU, & YT	5/16 3/8	UBB10-756-28 UBB12-756-28	UBB10-756-48 UBB12-756-48		

ASP®, BOM®, LGP®, C6L®, GP®, AND MAGNA-GRIP® ARE REGISTERED TRADEMARKS OF ARCONIC INC. AVBOLT®, AVDELOK®, AND MAXLOK® ARE REGISTERED TRADEMARKS OF AVDEL UK LIMITED. MACH-BOLTS® IS A REGISTERED TRADEMARK OF CHERRY AEROSPACE FASTENERS.

GAGE BILT CERTIFIES THE GB756 WILL INSTALL THE ABOVE FASTENERS

See gagebilt.com/nose_assemblies.htm for nose assembly information (data sheets)

*ALL OFFSET 204 SERIES NOSES REQUIRE 353204 ADAPTER WITH 756152 STROKE LIMITER.
*ALL OFFSET 205 SERIES NOSES REQUIRE 353205 ADAPTER WITH 756153 STROKE LIMITER.
**NOSE REQUIRES 745751 ADAPTER
***-54RA RIGHT ANGLE SERIES NOSES REQUIRE 745751 ADAPTER WITH 756155 STROKE LIMITER.
****-58RA RIGHT ANGLE NOSES REQUIRE 745751 WITH 756152 STROKE LIMITER.

NOTE: THE LAST 2 DIGITS OF THE NOSE ASSEMBLY REPRESENTS THE LENGTH THE NOSE EXTENDS FROM THE TOOL. I.E. -20 = 2.0 INCHES

GAGE BILT

GB756MGK Installation Kit

Includes GAGE BILT'S 5 Ton Gun

GAGE BILT'S complete installation kit for 3/16" thru 3/8" MAGNA-GRIP® and MAXLOK® lockbolts.

The GB756MGK kit contains:

- Nose assembly MG06-745-48 for 3/16" MAGNA-GRIP® and MAXLOK® lockbolts (Steel or Aluminum)
- Nose assembly MG08-745-48 for 1/4" MAGNA-GRIP® and MAXLOK® lockbolts (Steel or Aluminum)
- Nose assembly MG10-756-28 for 5/16" MAGNA-GRIP® and MAXLOK® lockbolts (Steel or Aluminum)
- Nose assembly MG12-756-28 for 3/8" MAGNA-GRIP® and MAXLOK® lockbolts (Steel or Aluminum)
- A stem catcher bag to collect spent pintail stems for F.O.D. control.



GB756MGK		
QTY	ITEM	DESCRIPTION
1	GB756	INSTALL TOOL
1	MG06-745-48	NOSE ASSY
1	MG08-745-48	NOSE ASSY
1	MG10-756-28	NOSE ASSY
1	MG12-756-28	NOSE ASSY
1	704153	AIR BLEEDER ASSY
1	756610	CATCHER BAG-STEM

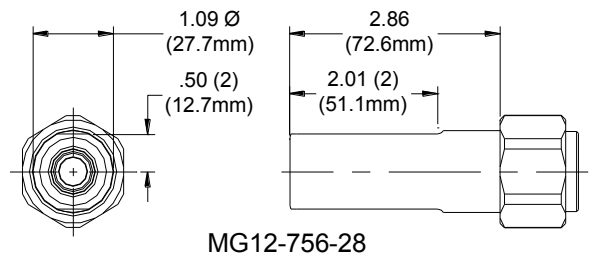
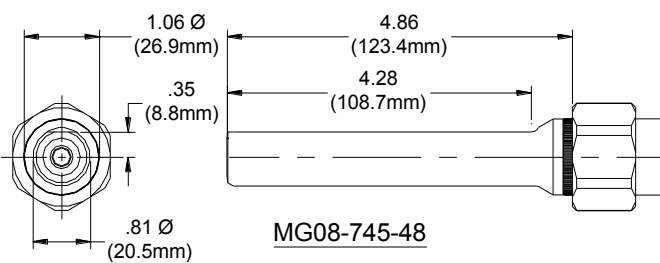
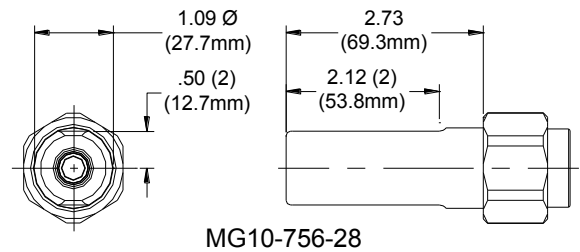
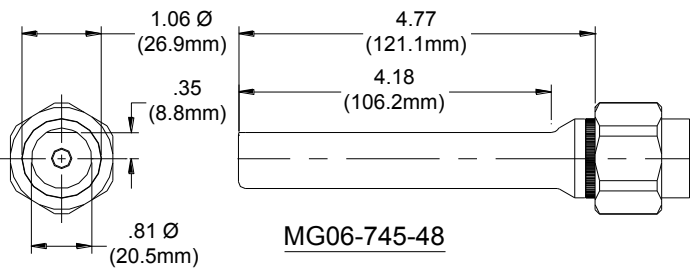
GAGE BILT



MADE in USA

GB756MGK Installation Kit

	3/16"	STEEL MAGNA-GRIP	MG06-745-48
	3/16"	ALUMINUM MAGNA-GRIP	
	1/4"	STEEL MAGNA-GRIP	MG08-745-48
	1/4"	ALUMINUM MAGNA-GRIP	
	5/16"	STEEL MAGNA-GRIP	MG10-756-28
	5/16"	ALUMINUM MAGNA-GRIP	
	3/8"	STEEL MAGNA-GRIP	MG12-756-28
	3/8"	ALUMINUM MAGNA-GRIP	

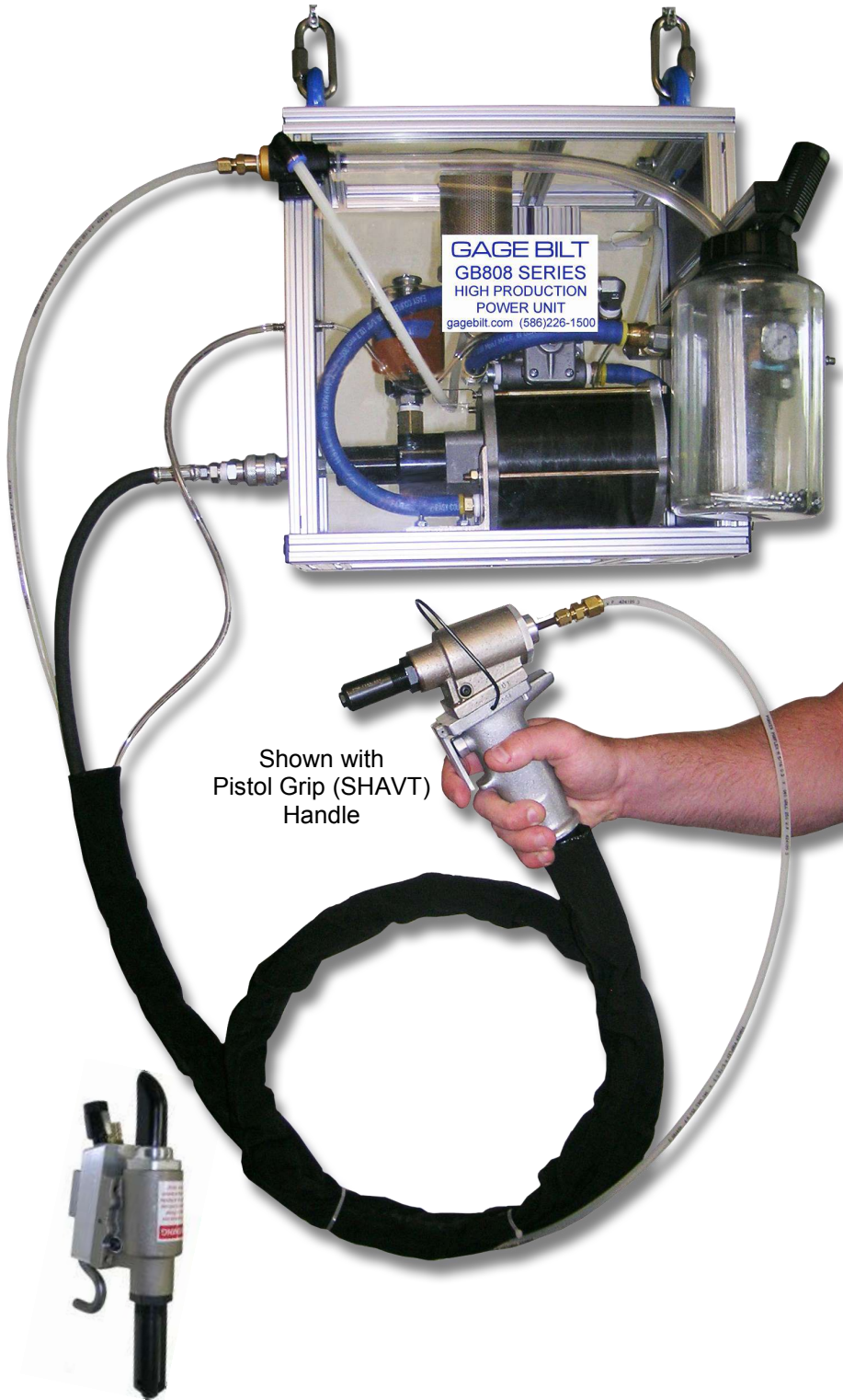


MAGNA-GRIP® IS A REGISTERED TRADEMARK OF ALCOA. MAXLOK® IS A REGISTERED TRADEMARK OF AVDEL UK LIMITED.

GB808 SERIES

HIGH PRODUCTION POWERUNIT

**NEW
INNOVATION**



Shown with
Pistol Grip (SHAVT)
Handle

Inline (SRA) Handle
Available

Vacuum Optional

Designate >V= Suffix

I.E. GB808V

The GB808 SERIES High Production Powerunit is a portable power source designed to power a wide range of pneudraulic installation tools for millions of cycles. The unit is air powered and air actuated. The actuator on the installation tool remotely controls the hydraulic fluids directional flow. Installation tool (sold separately) includes Nose Assembly, Cylinder Head Assembly, Split Handle Assembly and 8' Hose Assembly with quick disconnects. The GB808 when combined with the appropriate split handle assembly will pull most blind rivets thru 1/4". Please consult Gage Bilt Inc. for specific applications.

The GB808 is designed to power the following tools (sold separately):

GB703SHA	GBP734SHA	GB743SHA
GB703SHAV	GBP734SHAV	GB743SHAV
GB703SHAVT	GBP734SHAVT	GB743SHAVT
GB703SRA	GBP734SRA	GB743SRA
GB703SRAV	GBP734SRAV	GB743SRAV
GB703SRAVT	GBP734SRAVT	GB743SRAVT

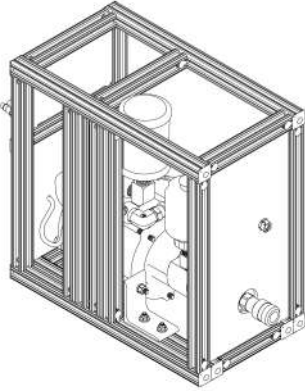
We can match one of the above split handle assemblies to install any of the following fasteners as well as many other blind rivets.

POP®	CHERRYMATE
C, E, N or Q RIVET	AVEX®
KLAMP-TITE®	MAGNA-LOK®
TLR®	HEMLOCK®
T RIVET®	BULB-TITE®
VARIGRIP™	CLOSED END
MAGNA-BULB®	CHERRYMAX®
MONOBOLT®	

**Compatible with Gage Bilt and
Huck® Air/hydraulic
installation tools**

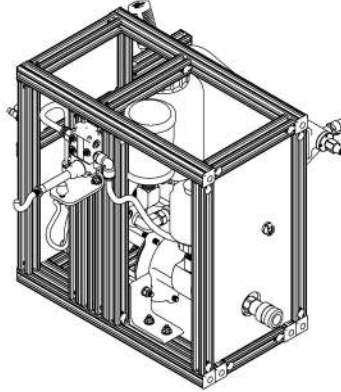
GAGE BILT
 **MADE in USA**

GB808

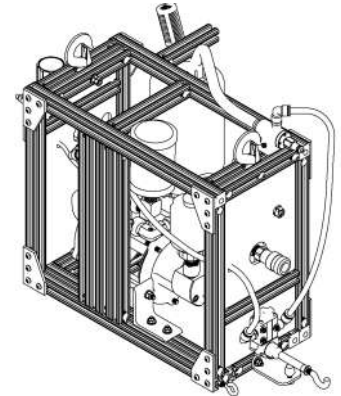


*GB808 WHEELS OPTIONAL

GB808V POWERUNIT WITH VACUUM



GB808HVB HANGING POWERUNIT WITH VACUUM



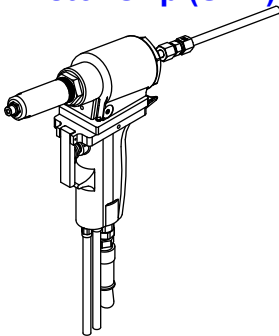
Compatible with Gage Bilt and Huck® Air/hydraulic installation tools

Hose Kits available to 26 ft
Pressure 4,000 lbs. (177.93kN) @ 90 PSI (6.2 bar)
Fast Acting Cylinder
Requires 1/2" Air Hose
POWER: 80-100 PSI compressed air (5.2-6.9 bar)
WEIGHT: 40 lbs (9.8 kg)
HEIGHT: 16.5" (41.9 cm)
WIDTH: 9.0" (22.9 cm)
LENGTH: 24" (61.0 cm)

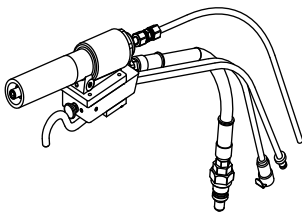
Installation tools available with Pistol Grip (SHA) or Inline (SRA) Handles

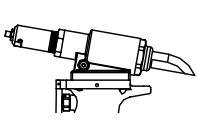
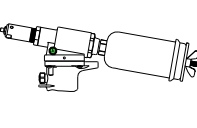
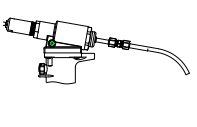
(Tools sold separately)

Pistol Grip (SHA)



Inline (SRA)



Description <i>Image may not reflect actual tool</i>	Pistol Grip	Inline
	SHA	SRA
	SHAV	SRAV
	SHAVT	SRAVT

Tools with hose kits available to 26 ft

Tool specification's vary based on application

GB902

HYDRAULIC POWERUNIT



DESCRIPTION:

The GB902 Hydraulic Powerunit is a portable power source designed to operate a wide range of hydraulic installation tools with. It delivers up to 10,000 psi working pressure. It is fired manually by the operator and will accept any GAGE BILT or HUCK® hydraulic tool regardless of trigger style. The unit is activated via a control valve knob and foot pedal. The GB902 consists of a two position air hydraulic pump, four way control valve and relief valve mounted on the reservoir.

Quick disconnect hydraulic couplings and air control socket are included to attach the equipment hydraulic hoses and air control tube.

The air pressure to the unit controls the output and return pressure to the tool and must be properly adjusted for each tool. Consult tool manuals for proper settings.

GAGE BILT

MADE IN U.S.A.



GB902 POWERUNIT SPECIFICATIONS



Width	5.35 inches
Length	10.35 inches
Height	8.00 inches
Weight	19.5 lbs
Reservoir Capacity	(.4) gallons
Power Source - compressed air	60-110 psi
Air Consumption (continuous operation):	62 CFM
Motor	Air Motor
Pump - Air Hydraulic, Rapid Advance and Swage	25 cu. in./min. @ 5000 psi
Output Pressure:	

NOTE: Adjust air pressure according to required pull pressure for tool being used, consult tool manuals for proper settings.

Pull & Return max	10,000 psi.
60 psi	5,200 lbs.
70 psi	6,200 lbs.
80 psi	7,200 lbs.
90 psi	8,200 lbs.
100 psi	9,000 lbs.
110 psi (MAXIMUM)	(MAXIMUM OUTPUT) 10,000 lbs.

Operating temperature:

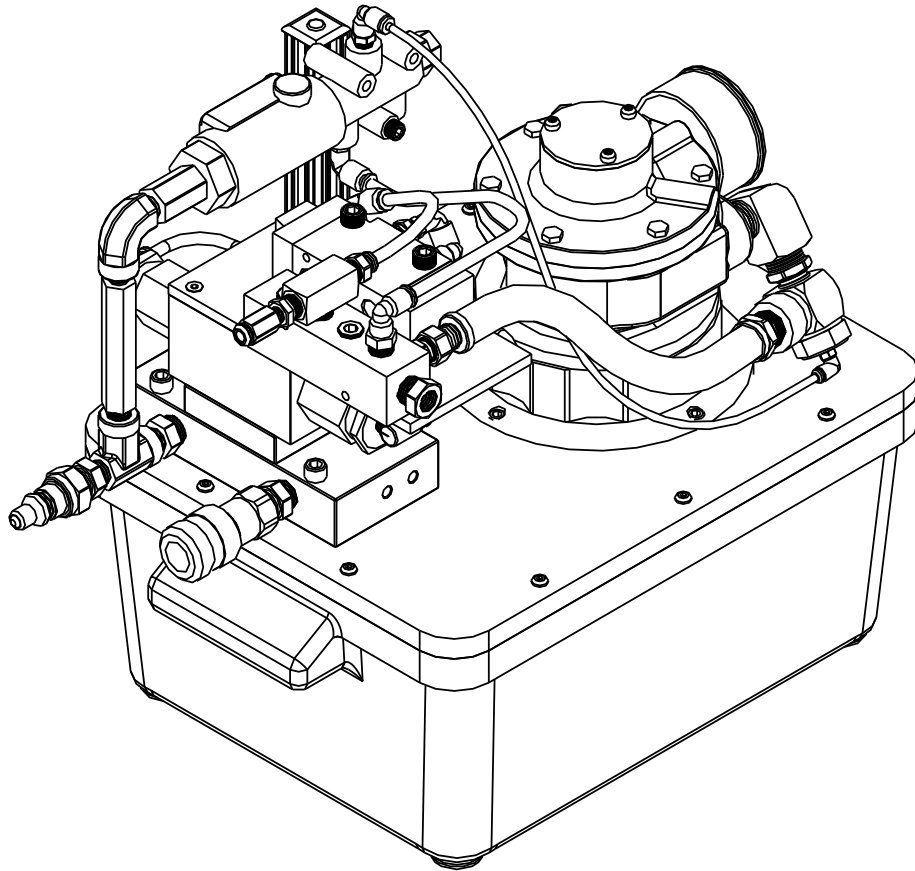
Ambient	min. 0 F	-18 C
Hydraulic Fluid...max. 150 F	65 C	

Hydraulic Fluid:

Good Quality Hydraulic Oil.

GB910

HYDRAULIC POWERUNIT



DESCRIPTION:

The GB910 Hydraulic Powerunit is a portable power source designed to operate a wide range of hydraulic installation tools. The unit is air powered, air actuated and delivers up to 10,000 psi working pressure. The actuator on the installation tool remotely controls the hydraulic fluid directional flow. The unit consists of a two position air hydraulic pump, four way control valve and relief valve mounted on the reservoir.

The rapid tool piston movement is obtained through a higher (50 cubic inches a minute) output pump. Quick disconnect hydraulic couplings and air control socket are included to attach the equipment hydraulic hoses and air control tube.

The GB910 Hydraulic Powerunit is available separately or in kits including hydraulic quick-disconnect couplers, air connectors, air lines and hydraulic hoses in various lengths.

GB910-12 includes the GB910 Powerunit and 12 ft. Hose Kit, part #910701.

GB910-26 includes the GB910 Powerunit and 26 ft. Hose Kit, part #910705.

GB910-38 includes the GB910 Powerunit and 38 ft. Hose Kit, part #910709.

GB910-52 includes the GB910 Powerunit and 52 ft. Hose Kit, part #910714.

GAGE BILT

MADE IN U.S.A.



GB910 POWERUNIT SPECIFICATIONS



NOTE:

An air line filter-lubricator is highly recommended for proper operation and extended life.

NOTE:

Shipped with Pull pressure at 10,000 psi (68,950 kPa) & Return pressure at 6,000 psi (41,370 kPa) for GB7624. When attaching GB585A set Pull pressure to 5,400-5,700 psi (37,350-39,300 kPa) & Return pressure 2,200-2,400 psi (15,200-16,500 kPa).

- Width13.0 inches
- Length20.5 inches
- Height.....14.0 inches
- Reservoir Capacity 2 gallons
- Power Source - compressed air 90-100 psi
- Air Consumption (continuous operation): 62 CFM
- Remote Control-Air piloted 4-way valve actuated by an actuator in the tool
- Motor Air Motor
- Pump - Air Hydraulic, Rapid Advance and Swage 50 cu. in./min. @ 5000 psi
- Output Pressure:
 - Pull Adjustable to 10,000 psi.
- Operating temperature:
 - Ambientmin. 0° F -18° C
 - Hydraulic Oil...max. 140° F 65° C
- Hydraulic Oil
 - Good Quality Hydraulic Oil.

GB940

GB940-220*

HYDRAULIC POWERUNIT



The GB940 Hydraulic Powerunit is a light-weight, portable power source designed to operate on a wide range of hydraulic installation tools. The unit is electrically powered and delivers up to 10,000 psi working pressure with simple adjustable hydraulic outputs. The 24 volt remote control circuit, in the installation equipment, controls the pump output directional valve. The GB940 Hydraulic Powerunit is available in 115 volt or 230* volt, single phase, alternating current. Output pressures as shipped are: PULL 5400-5700 psi, RETURN 2200-2400 psi.

The GB940 Hydraulic Powerunit is available separately or in kits including hydraulic quick-disconnect couplers, electrical connectors and hose cord kits in various lengths.

GB940-12 includes the GB940 Powerunit and 12 ft. Hose Kit, part #940701.

GB940-26 includes the GB940 Powerunit and 26 ft. Hose Kit, part #940705.

GB940-38 includes the GB940 Powerunit and 38 ft. Hose Kit, part #940709.

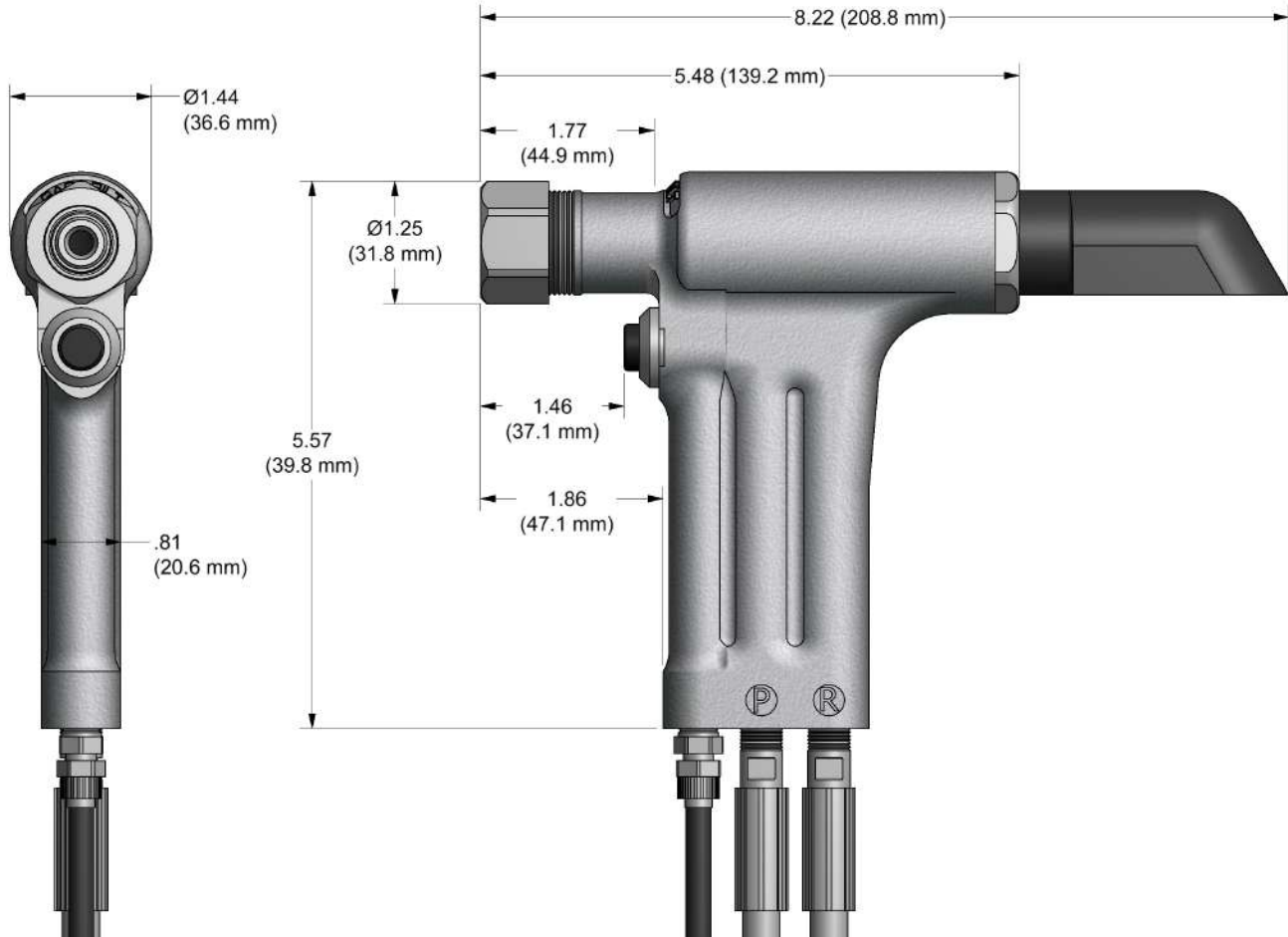
GB940-52 includes the GB940 Powerunit and 52 ft. Hose Kit, part #940714.

GAGE BILT

MADE IN U.S.A.

GB2480 GB2480A

HYDRAULIC INSTALLATION TOOL



DESCRIPTION

The GB2480 & GB2480A is a hydraulic installation tool designed specifically for the efficient installation of a wide range of blind rivets, lockbolts and Multi-Grip fasteners thru 1/4" diameter. It weighs just over 3 lbs. (1.59 kg) and can be operated in any position with one hand. It has an .875" (22.2 mm) rivet setting stroke and rated pull load of 5,600 lbs. (24.91 kN).

The GB2480 installation tool operates on hydraulic pressure developed by the GB940 Powerunit set at 8,400 psi (579.1 bar) max PULL pressure and 3,200 psi (220.6 bar) max RETURN pressure. The tool comes equipped with 12 ft. hydraulic hoses and couplings, electric switch and cord.

The GB2480A installation tool operates on hydraulic pressure developed by the GB910 Powerunit set at 8,400 psi (579.1 bar) max PULL pressure and 3,200 psi (220.6 bar) max RETURN pressure. The tool comes equipped with 12 ft. hydraulic hoses and couplings, air actuator and tubing.

NOSE ASSEMBLIES ARE NOT FURNISHED WITH THE RIVETER AND MUST BE ORDERED SEPARATELY.



GB2480/2480A NOSE ASSEMBLY SELECTION CHART



ACCESSORIES (SOLD SEPARATELY)

**CATCHER BAG
#756610**



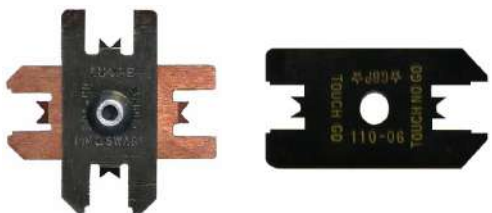
**NAS LOCKBOLTS AND BLIND FASTENERS
#GB105093 (EQUIVALENT TO #105093)**



**GRIP GAGE FOR CHERRYMAX® AND
CHERRYLOCK® RIVETS #269G3
(SIMILAR TO #269C3)**

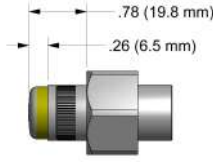


**GAGE BILT ALSO SUPPLIES PIN &
COLLAR SWAGE INSPECTION GAGES
TO CERTIFY CORRECT SWAGE
INSTALLATION.**

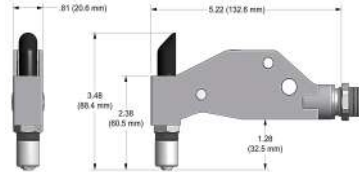


NOSE ASSEMBLIES (SOLD SEPARATELY)

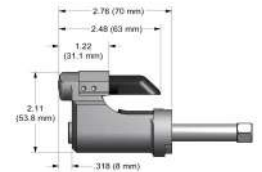
STRAIGHT



RIGHT ANGLE



OFFSET



FASTENER	DIA.	STRAIGHT	*RIGHT ANGLE 1	OFFSET 3	
LGP®	5/32	LGP05-2480-10	LGP05-2480-20	LGP05-204C-250S	LGP05-204C-300S
Lightweight	3/16	LGP05-2480-45	LGP06-2480-10	LGP05-204C-340S	LGP06-204C-300S
Groove	7/32	LGP06-2480-10	LGP07-731-10	LGP06-204C-250S	LGP07-204C-300S
Proportion	1/4	LGP07-731-10	LGP07-731-45	LGP07-204C-250S	LGP07-204C-340S
LOCKBOLT	5/32	LGP08-2480-10	LGP08-2480-45	LGP08-204C-250S	LGP08-204C-300S
LOCKBOLT, NAS SHEAR PULL TYPE, NAS TENSION PULL TYPE, NASS = SHEAR & GP® NAST = TENSION	5/32	NASS05-731-10	NAST05-730B-20	NASS05-204C-250S	NAST05-204C-250S
	3/16	NASS05-731-20	NAST05-731-20	NASS05-204C-300S	NAST05-204C-300S
	1/4	NASS05-731-45	NAST05-731-45	NASS05-204C-340S	NAST05-204C-340S
	5/32	NAS06-730B-10	NAS06-731-20	NAS06-204C-250S	NAS06-204C-300S
	3/16	NAS06-731-45	NAS08-731-20	NAS06-204C-340S	NAS08-204C-300S
	1/4	NAS08-730B-10	NAS08-731-20	NAS08-204C-250S	NAS08-204C-300S
	5/32	NAS08-731-45		NAS08-204C-340S	
COMMERCIAL LOCKBOLTS	3/16	LB06-713-20		NA S06-204C-250S	
	1/4	LB08-722-20		NA S08-204C-250S	
MULTI-GRIP LOCKBOLTS	3/16	MG06-713-60CN	MG06-722-60		
	1/4	MG08-722-20	MG08-722-60		
BLIND BOLT (SINGLE ACTION) WITH OR W/OUT DRIVE WASHER	5/32	SB04-752C-20	SB04-752C-45	SB04-751B-54RA	SB04-752A-43OS
	3/16	SB05-752C-20	SB05-752C-45	SB05-751B-54RA	SB05-752A-43OS
	1/4	SB06-752C-20	SB06-752C-45	SB06-751B-54RA	SB06-204D-27OS
MS90353S & U / MS90354S & U MS2140S & U / MS2141S & U CR7000 SERIES, BACB30YY, YU & YT	3/16	SB06-752B-20	SB06-752B-45	SB08-713A-58RA	SB08-204D-27OS
	1/4	SB08-713-20		SB08-204D-27OS	SB08-204D-37OS
BLIND BOLT (SINGLE ACTION) WITH DRIVE WASHER	1/8	UBB04-752C-20	UBB04-752C-45	UBB04-751B-54RA	UBB04-752A-43OS
	5/32	UBB05-752C-20	UBB05-752C-45	UBB05-751B-54RA	UBB05-752A-43OS
	3/16	UBB06-752C-20	UBB06-752B-45	UBB06-751B-54RA	UBB06-204D-27OS
	1/4	UBB08-713-20		UBB08-713A-58RA	UBB08-204D-27OS
	5/32	UBB08-713-20		UBB08-204D-27OS	UBB08-204D-37OS
EN6122 & UAB130-EU EN6127 & UAB6127-EU EN6128 & UAB100-EU EN6129 & UABP-EU	3/16	UAB568-713-21	UAB568-713-61	UBB06-751B-54RA	UBB06-752A-43OS
	1/4				UAB08-204D-27OS
BLIND RIVET (SINGLE ACTION) WITH OR W/OUT DRIVE WASHER	1/8	SMLS04-752C-20	SMLS04-752C-45	SMLS04-751B-54RA	SMLS04-752A-43OS
	5/32	SMLS05-752C-20	SMLS05-752C-45	SMLS05-751B-54RA	SMLS05-752A-43OS
	3/16	SMLS06-752B-20	SMLS06-752B-45	SMLS06-751B-54RA	SMLS06-752A-43OS
	1/4	SMLS08-713-20	SMLS08-713-45	SMLS08-713B-58RA	SMLS08-752A-43OS
UNIMATIC® SINGLE ACTION NAS1919S & UNAS1921S & U "U" TYPE BLIND BOLT WITH DRIVE WASHER	1/8	UBR04-752C-20	UBR04-752C-45	UBR04-751B-54RA	UBR04-752A-43OS
	5/32	UBR05-752C-20	UBR05-752C-45	UBR05-751B-54RA	UBR05-752A-43OS
	3/16	UBR06-752B-20	UBR06-752B-45	UBR06-751B-54RA	UBR06-752A-43OS
	1/4	UBR08-713-20	UBR08-713-45	UBR08-713B-58RA	UBR08-752A-43OS
"A" CODE NAS1398A & NAS1399A	3/32	3A-352B-25	4A-752C-45	3A-751B-54RA	4A-752A-43OS
	1/8	4A-752C-20	4A-752C-45	4A-751B-54RA	4A-752A-43OS
	5/32	5A-752C-20	5A-752C-45	5A-751B-54RA	5A-752A-43OS
	3/16	6A-752B-20	6A-752B-45	6A-751B-54RA	6A-752A-43OS
	1/4	SMLS08-713-20			SMLS08-204D-27OS
T RIVET®	3/16	6T-752A-21	6T-752A-61		
	1/4	8T-752A-21	8T-752A-61		
PROTRUDING HEAD, MULTI-GRIP BLIND RIVETS	3/16	MGL06-752A-21	MGL06-752A-61	MGL06-751C-54RA	
	1/4	MGL08-752A-21	MGL08-752A-61		
MONOBOLT®	3/16	MB06-752A-21	MB06-752A-61	MB06-751B-54RA	
	1/4	MB08-752A-21	MB08-752A-61		
CONTAINER BOLT(R 12) HLPP, HLP, HLP, HLP, HLP HLPS & HLPSP	3/8	HT12-713-20			
BOMB® R08	1/4	BOMB08-713-20			
TLR® RIVET	1/4	8TLR-352-21	8TLR-352-60		
CHERRYMAX®, CHERRYMAX® 'AB', MBO® LOCK CREATOR BACR15FR/FP, BACR15GF/GK, NAS1900 S & U SERIES BLIND RIVET WITH DRIVE WASHER	1/8	± 456MAX-751-23	± 456MAX-751A-61	± 456MAX-751D-54RA	± 456MAX-731-43OS
	5/32				
	3/16				
	1/4	08MAX-752B-20	08MAX-752B-45	08MAX-713A-58RA	08MAX-204D-27OS
	13/64	ASP06-752B-20	ASP06-752B-45	ASP06-751B-54RA	ASP06-752A-43OS
ASP 2, ASP PF, ASP 4 FF, ASP 2 F, ASP 2 LC	17/64	ASP08-752B-20	ASP08-752B-45	ASP08-751B-54RA	ASP08-752A-43OS
	21/64	ASPI0-713-20	ASPI0-730-45	ASPI0-204D-27OS	ASPI0-204D-37OS
	1/8	MB04-752C-20	MB04-752C-45	MB04-751C-54RA	MB04-752A-43OS
NAS1719, NAS1720 NAS1721	5/32	MB05-752C-20	MB05-752C-45	MB05-751C-54RA	MB05-752A-43OS
	3/16	MB06-752B-20	MB06-752B-45	MB06-751C-54RA	MB06-752A-43OS
GROUND STUD, MB3454 & BACSS5B 5	8/32	GS8-752C-20	GS8-752C-45	GS8-751B-54RA	GS8-751A-43OS
	10/32	GS10-752C-20	GS10-752C-45	GS10-752A-54RA	GS10-751A-43OS
OPEN END, CLOSED END, C'SUNK, PROTRUDING HEAD COMMERCIAL NAIL RIVETS	3/32	3N-751-23	3N-352-61	3N-751B-54RA	3N-751-43OS
	1/8	4N-751-23	4N-352-61	4N-751B-54RA	4N-751-43OS
	5/32	5N-751-23	5N-352-61	5N-751B-54RA	5N-751-43OS
	3/16	6N-751-23	6N-352-61	6N-751C-54RA	6N-751-43OS

UNIMATIC®, LGP®, GP®, BOMB®, AND ASP® ARE REGISTERED TRADEMARKS OF ALCOA INC. MONOBOLT® AND TLR® ARE REGISTERED TRADEMARKS OF AVDEL UK LIMITED. T RIVET®, CHERRYMAX® AND MBO® ARE REGISTERED TRADEMARKS OF CHERRY AEROSPACE.

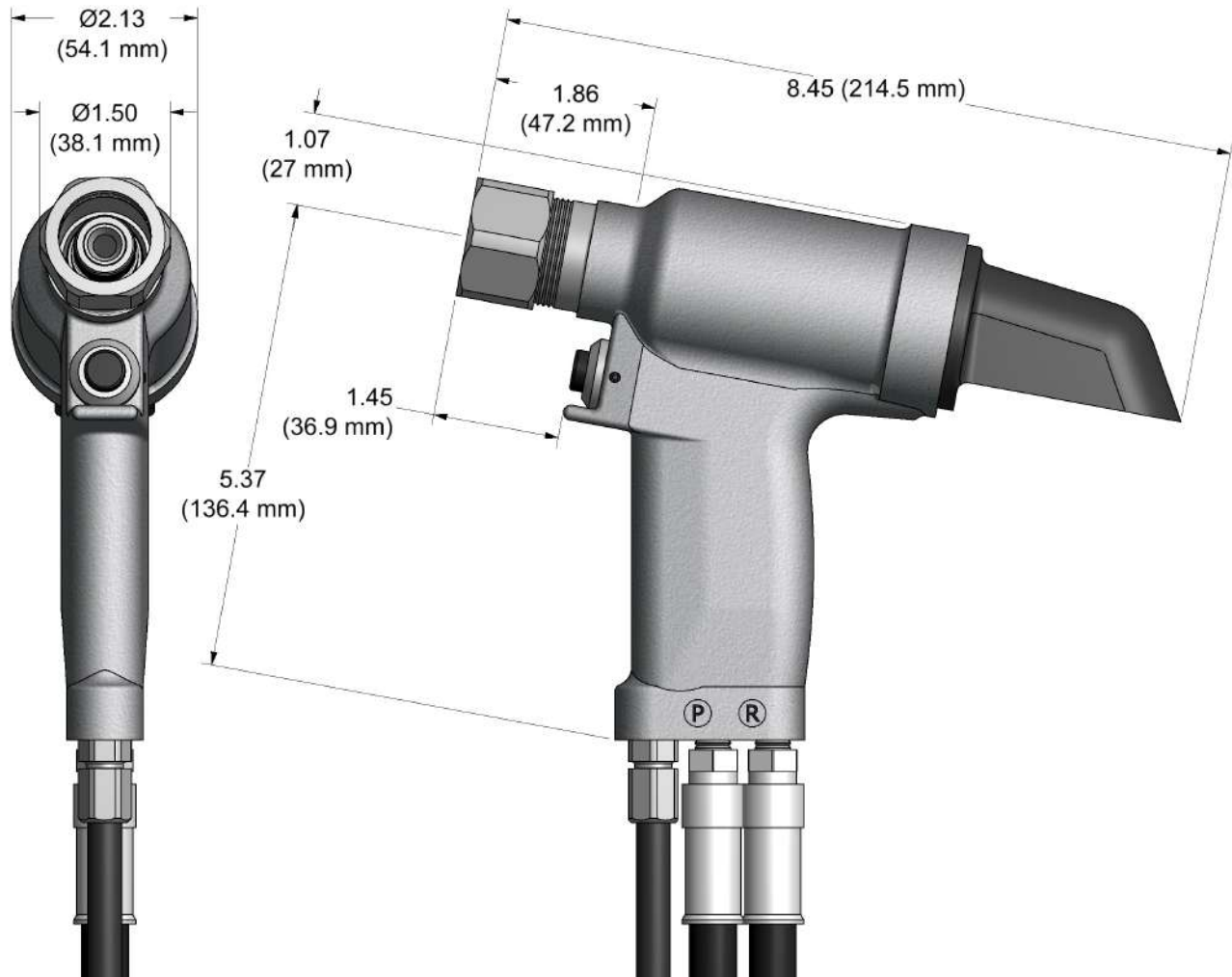
GAGE BILT CERTIFIES THE GB2480/2480A TOOL WILL INSTALL THE ABOVE FASTENERS

*REDUCING POWER UNIT PRESSURE TO 3500PSI IS RECOMMENDED.
1) RIGHT ANGLE NOSES REQUIRE 248153 STROKE LIMITER & 248155 RELIEF VALVE
2) INSTALLS 1/8", 5/32" AND 3/16" DIAMETERS.
3) OFFSET NOSES REQUIRE 751204 ADAPTER AND 248152 STROKE LIMITER & 248154 RELIEF VALVE
4) INSTALLS 5/32", 3/16" AND 1/4" DIAMETERS.
5) BACSS5B -10 ONLY

NOTE: THE LAST 2 DIGITS OF THE NOSE ASSEMBLY REPRESENTS THE LENGTH THE NOSE EXTENDS FROM THE TOOL. I.E. -20 = 2.0 INCHES

GB2581 GB2581A

HYDRAULIC INSTALLATION TOOL



DESCRIPTION

The GB2581 & GB2581A is a hydraulic installation tool designed specifically for the efficient installation of a wide range of blind, lockbolt and Magna-Grip® fasteners thru 3/8" diameter. It weighs 6.6 lbs. (2.99 kg) and can be operated in any position with one hand. It has a 1.000" (25.4 mm) rivet setting stroke and a rated pull load of 10,700 lbs. (47.59 kN) @ 7,400 psi. (510.2 bar).

The GB2581 installation tool operates on hydraulic pressure developed by the GB940 power unit set at 7,400 psi. (510.2 bar) maximum PULL pressure and 3,200 psi (220.6 bar) maximum RETURN pressure. The tool comes equipped with 12 ft. hoses and electric cord kit complete with quick disconnects.

The GB2581(A) installation tool operates on hydraulic pressure developed by the GB910 Power unit set at 7,400 psi (510.2 bar) maximum PULL pressure and 3,200 psi (220.6 bar) maximum RETURN pressure. The tool comes equipped with 12 feet of hydraulic hoses, couplings, air actuator and tubing.

NOSE ASSEMBLIES ARE NOT FURNISHED WITH THE RIVETER AND MUST BE ORDERED SEPARATELY.

GAGE BILT



MADE in USA



GB2581/GB2581A NOSE ASSEMBLY SELECTION CHART



ACCESSORIES (SOLD SEPARATELY)

NOSE ASSEMBLIES (SOLD SEPARATELY)

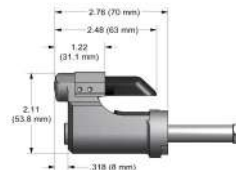
**CATCHER BAG
#756610**



STRAIGHT



OFFSET

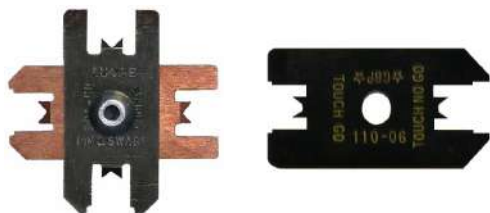


FASTENER	DIA.	STRAIGHT		*OFFSET	
ASP® 2 ASP & ASP PF ASP FF & ASP F ASP-LC	13/64 17/64 21/64	ASP06-745B-23 ASP08-745B-23 ASP10-755-23	ASP06-745B-48 ASP08-745B-48 ASP10-755-48	ASP06-204D-27OS ASP08-204D-27OS ASP10-204D-27OS	ASP06-204D-37OS ASP08-204D-37OS ASP10-204D-37OS
BOM® BLIND OVERSIZE MANDREL	1/4 5/16 3/8	BOM08-755-23 BOM10-756-26 **BOM12-756A-26			
COMMERCIAL LOCKBOLTS C6L® AVDELOK®	3/16 1/4 5/16 3/8	NAS06-745B-12 NAS06-755-23 NAS08-745B-12 NAS08-745B-12 LB10-745C-26 LB12-756-26	NAS06-755-48 NAS08-755-48 NAS10-756-26 NAS12-756-48	NAS06-204C-25OS NAS06-204C-34OS NAS08-204C-25OS NAS08-205A-31 NAS10-205D-31 NAS12-205A-31	NAS06-204C-30OS NAS08-204D-30OS NAS08-204C-34OS
CONTAINER BOLT	3/8	HT12-756-23			
FLOOR BOLT	5/16	FT10-353A-28			
LGP® LIGHTWEIGHT GROOVE PORPORTION LOCKBOLTS	5/32 3/16 7/32 1/4 5/16 3/8	LGP05-2581-12 LGP05-2581-48 LGP06-2581-12 LGP06-2581-48 LGP07-745B-12 LGP07-755-48 LGP08-2581-12 LGP08-2581-48 LGP10-2581-12 LGP10-2581-48 LGP12-745B-12 LGP12-756-48	LGP05-2581-23 LGP06-2581-23 LGP07-755-23 LGP08-2581-23 LGP10-2581-23 LGP12-756-26	LGP05-204C-25OS LGP05-204C-34OS LGP06-204C-25OS LGP06-204C-34OS LGP07-204C-25OS LGP07-204C-34OS LGP08-204C-25OS LGP08-204C-34OS LGP10-205D-31 LGP12-205A-31	LGP05-204C-30OS LGP06-204C-30OS LGP07-204C-30OS LGP08-204D-30OS LGP08-205A-31
LOCKBOLT NAS SHEAR PULL TYPE NAS TENSION PULL TYPE & GROOVE PORPORTION NASS = NAS SHEAR NAST = NAS TENSION	5/32 3/16 1/4 5/16 3/8	NASS05-755-12 NASS05-755-23 NASS05-755-48 NAS06-745B-12 NAS06-755-48 NAS08-745B-12 NAS08-755-48 NAS10-745B-12 NAS10-756-48 NAS12-745B-12 NAS12-756-48	NAST05-2581-12 NAST05-755-23 NAST05-755-48 NAS06-755-23 NAS08-755-23 NAS10-756-26 NAS12-756-26	NASS05-204C-25OS NASS05-204C-30OS NASS05-204C-34OS NAS06-204C-25OS NAS06-204C-34OS NAS08-204C-25 NAS08-204C-34 NAS10-205D-31 NAS12-205A-31	NAST05-204C-20OS NAST05-204C-30OS NAST05-204C-34OS NAS06-204C-30OS NAS08-204D-30 NAS08-205A-31
MULTI-GRIP LOCKBOLT	3/16 1/4 5/16 3/8	MG06-745-48 MG08-745-48 MG10-756-28 MG12-756-28			
MULTI-GRIP STRUCTURAL BLIND RIVET	3/8	MGL12-353C-28			
OVERSIZE STRUCTURAL RIVET	1/4 5/16 3/8	OS08-745-48 OS10-756-26 OS12-756A-26	OS10-756-48 OS12-756A-48		
BLIND BOLT (SINGLE ACTION) WITH OR W/OUT DRIVE WASHER	5/32 3/16 1/4	SB05-745C-23 SB06-745B-23 SB08-755-23	SB05-745C-48 SB06-745B-48 SB08-755-48	SB05-204D-27OS SB06-204D-27OS SB08-204D-27OS	SB05-204D-37OS SB06-204D-37OS SB08-204D-37OS
MS21140S & U & MS21141S & U CR7000 SERIES BACB30YY, YU, & YT	5/16 3/8	SB10-756-28 SB12-756-28	SB10-756-48 SB12-756-48	SB08-205A-35 SB10-205A-35 SB12-205A-35	
BLIND BOLT (SINGLE ACTION) WITH DRIVE WASHER	5/32 3/16 1/4	UBB05-745C-23 UBB06-745B-23 UBB08-755-23	UBB05-745C-48 UBB06-745B-48 UBB08-755-48	UBB05-204D-27OS UBB06-204D-27OS UBB08-204D-27OS	UBB05-204D-37OS UBB06-204D-37OS UBB08-204D-37OS
MS21140S & U & MS21141S & U CR7000 SERIES BACB30YY, YU, & YT	5/16 3/8	UBB10-756-28 UBB12-756-28	UBB10-756-48 UBB12-756-48	UBB08-205A-35 UBB10-205A-35 UBB12-205A-35	

**NAS LOCKBOLTS AND BLIND FASTENERS
#GB105093 (EQUIVALENT TO #105093)**



**GAGE BILT ALSO SUPPLIES PIN &
COLLAR SWAGE INSPECTION GAGES
TO CERTIFY CORRECT SWAGE
INSTALLATION.**



ASP®, BOM®, C6L®, AND LGP® ARE REGISTERED TRADEMARKS OF ALCOA INC. AVDELOK® IS A REGISTERED TRADEMARK OF AVDEL UK LIMITED.

GAGE BILT CERTIFIES THE GB2581 WILL INSTALL THE ABOVE FASTENERS

*ALL OFFSET 204 SERIES NOSES REQUIRE 353204 ADAPTER WITH 258152 STROKE LIMITER AND 258157 RELIEF VALVE.

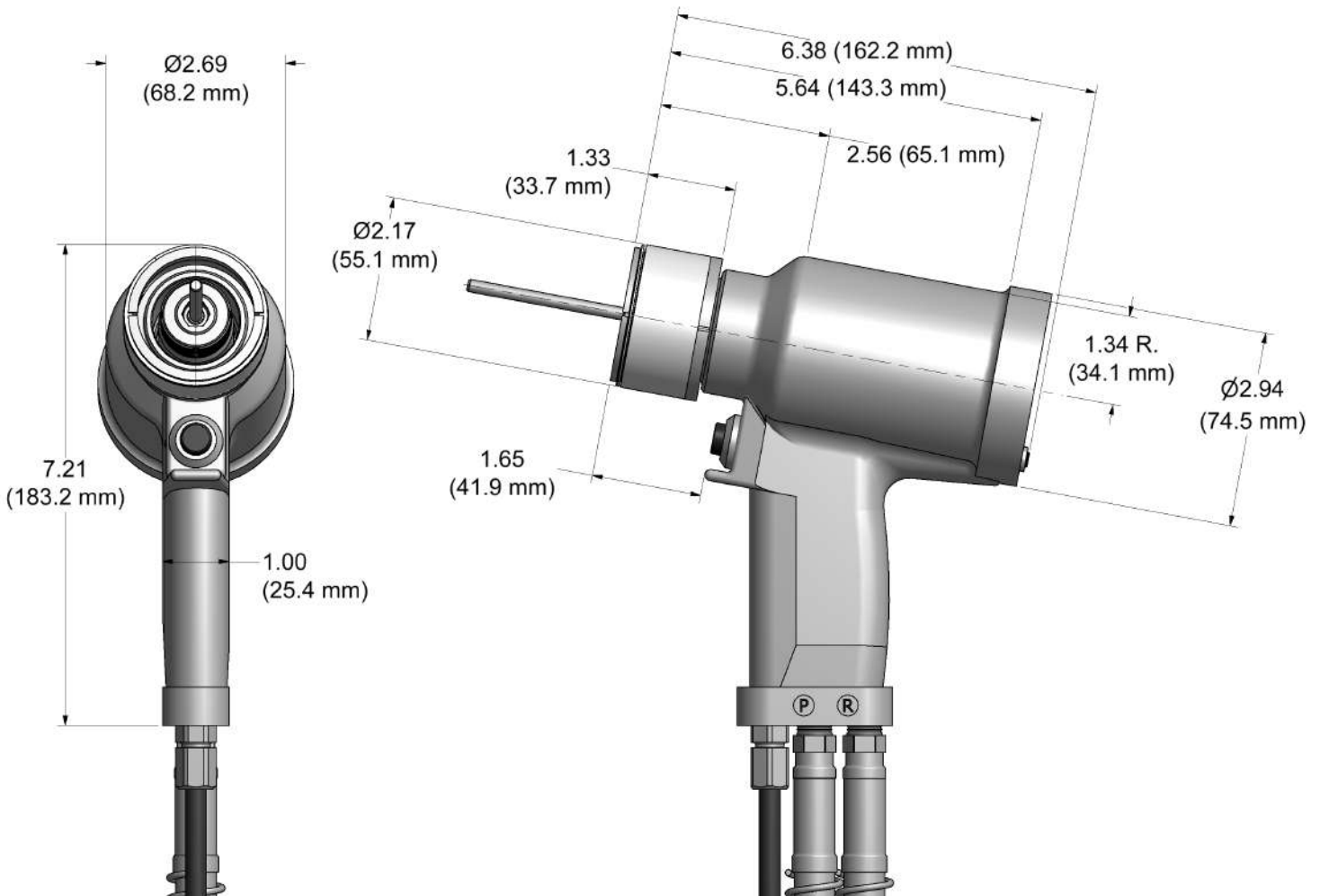
*ALL OFFSET 205 SERIES NOSES REQUIRE 353205 ADAPTER WITH 258153 STROKE LIMITER AND 258156 RELIEF VALVE.

** Repair Only

NOTE: THE LAST 2 DIGITS OF THE NOSE ASSEMBLY REPRESENTS THE LENGTH THE NOSE EXTENDS FROM THE TOOL I.E. -20 = 2.0 INCHES

GB2620 GB2620A

HYDRAULIC INSTALLATION TOOL



DESCRIPTION

The GB2620 and the GB2620A are hydraulic installation tools designed specifically for the efficient installation of 1/2" diameter lock-bolts. It weighs just over 9lbs. 14 oz. (4.5 kg). and can be operated in any position. It has a 1.437" (36.5mm) rivet stroke and a rated pull load of 17,745 lbs. (78.9kN) @ 6,500 psi. (448.2 bar).

The GB2620 (Electric actuated) installation tool operates on hydraulic pressure developed by the GB940 Powerunit set at 7,400 psi (510.2 bar) maximum PULL pressure and 3,200 psi. (220.6 bar) maximum RETURN pressure. The tool comes equipped with 2 feet (.61 m) of hydraulic hoses and couplings, electric switch and cord.

The GB2620A (Air actuated) installation tool operates on hydraulic pressure developed by the GB910 & GB912 Powerunits set at 7,400 psi (510.2 bar) maximum PULL pressure and 3,200 psi. (220.6 bar) maximum RETURN pressure. The tool comes equipped with 2 feet (.61 m) of hydraulic hoses, swivels and couplings, air actuator and tube.

**ALL GAGE BILT HYDRAULIC INSTALLATION TOOLS ARE COMPATIBLE WITH HUCK® POWERUNITS.
NOSE ASSEMBLIES ARE NOT FURNISHED WITH THESE TOOLS AND MUST BE ORDERED SEPARATELY.**



ACCESSORIES



GB2620 SELECTION CHART



FASTENER	DIA.	NOSE ASSEMBLY
LOCKBOLT HIGH TENSILE PULL TYPE C50L® LD AVDELOK®	1/2"	16-2620-41
BOM® AVBOLT®	1/2"	BOM16-2620A-41
HP8	1/2"	CONTACT GAGE BILT FOR YOUR REQUIREMENTS
HP10.9	12mm	CONTACT GAGE BILT FOR YOUR REQUIREMENTS

C50L® AND BOM® ARE REGISTERED TRADEMARKS OF ARCONIC INC. AVDELOK® AND AVBOLT® ARE REGISTERED TRADEMARKS OF AVDEL UK LIMITED.

GAGE BILT CERTIFIES THE GB2620 WILL INSTALL THE ABOVE FASTENERS

NOTE: THE LAST 2 DIGITS OF THE NOSE ASSEMBLY REPRESENTS THE LENGTH THE NOSE ASSEMBLY EXTENDS FROM THE TOOL. (I.e. -41 = 4.1 inches) REV. 9/17

WARRANTY

Seller warrants that all goods covered by this catalog will conform to applicable specifications and will replace or repair, EXW our plant, any goods providing defective from faulty workmanship, or material, for 1 year from date of shipment.

Said warranty to remain in effect if, and only if, such goods are used in accordance with all instructions as to maintenance, operation and use, set forth in manuals and instruction sheets furnished by seller.

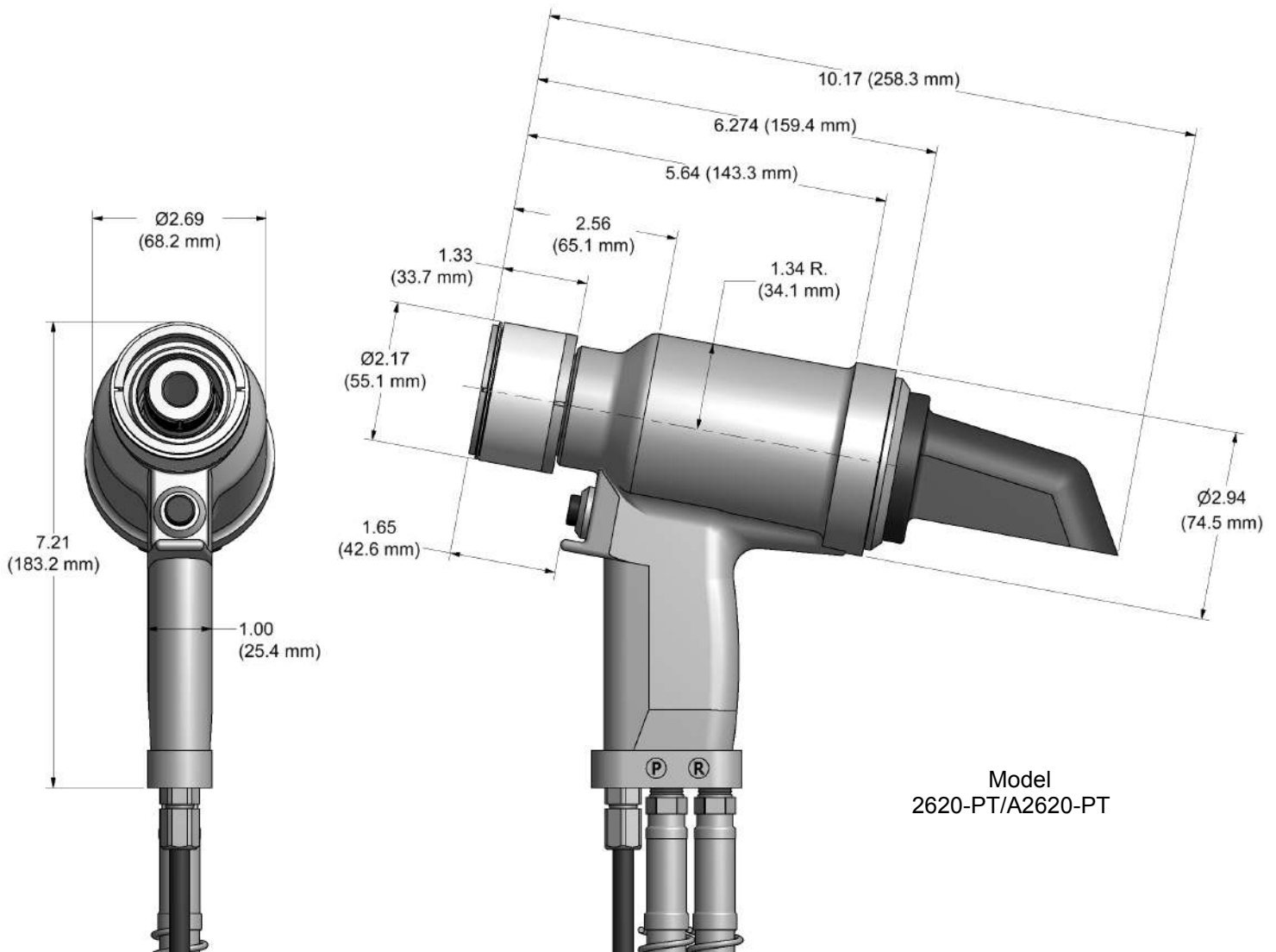
Sellers obligation under this warranty shall be limited to the repair or rework of the goods supplied or replacement thereof, at Seller's option, and in no case is to exceed the invoice value of said goods. Under no circumstances will the seller be liable for incidental or consequential damages or for damages incurred by the buyer or subsequent user in repairing or replacing defective goods or if the goods covered by this warranty are reworked or subjected to any type of additional processing.

This warranty is void if Seller is not notified in writing of any rejections or defects within 1 year after the receipt of the material by the customer.

THIS WARRANTY IS MADE IN LIEU OF ALL OTHER WARRANTIES EXPRESSED OR IMPLIED, INCLUDING MERCHANTABILITY.

GB2620PT

HYDRAULIC INSTALLATION TOOL



DESCRIPTION

The GB2620PT is a hydraulic installation tool capable of installing 1/2" lockbolts. It weighs 9 lbs. 14 oz (4.5 kg). It has a 1.437" (36.5mm) rivet setting stroke and a rated pull load of 17,745 lbs (78.9 kN) @ 6,500 psi. (448.2 bar).

Normal operating pressure is set at 7,400 psi. (510.2 bar) PULL pressure and 3,200 psi. (220.6 bar) RETURN pressure, enabling the tool to pull all the fasteners listed on the selection chart without adjusting pressures. Powerunit may be set to the pressures only needed to pull your specific fastener using 942280 pressure setting gauge. The tool comes equipped with 24" hoses and electric cord kit complete with quick disconnects.

NOSE ASSEMBLIES ARE NOT FURNISHED WITH THE TOOL AND MUST BE ORDERED SEPARATELY.

GAGE BILT
MADE in USA

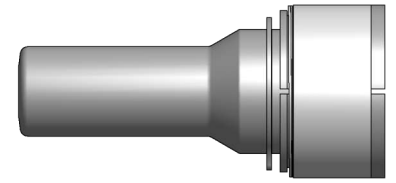


ACCESSORIES



GB2620PT SELECTION CHART

Split Ring Group
#504124
Required to attach to tool
(Sold Separately)



FASTENER	DIA.	NOSE ASSEMBLY
LOCKBOLT HIGH TENSILE PULL TYPE C50L® LD AVDELOK®	1/2"	16-2620PT-41
BOM® AVBOLT®	3/8" 1/2"	BOM12-2620PT-31 ₁ BOM16-2620PT-41
HP8	1/2"	CONTACT GAGE BILT FOR YOUR REQUIREMENTS
HP10.9	12mm	CONTACT GAGE BILT FOR YOUR REQUIREMENTS

C50L® AND BOM® ARE REGISTERED TRADEMARKS OF ARCONIC INC. AVDELOK® AND AVBOLT® ARE REGISTERED TRADEMARKS OF AVDEL UK LIMITED.

1. 504124 SPLIT RING GROUP REQUIRED TO ATTACH TO TOOL (SOLD SEPARAETLY)

GAGE BILT CERTIFIES THE GB2620PT WILL INSTALL THE ABOVE FASTENERS

NOTE: THE LAST 2 DIGITS OF THE NOSE ASSEMBLY REPRESENTS THE LENGTH THE NOSE ASSEMBLY EXTENDS FROM THE TOOL. (I.e. -41 = 4.1 inches)

REV. 9/17

WARRANTY

Seller warrants that all goods covered by this catalog will conform to applicable specifications and will replace or repair, EXW our plant, any goods providing defective from faulty workmanship, or material, for 1 year from date of shipment.

Said warranty to remain in effect if, and only if, such goods are used in accordance with all instructions as to maintenance, operation and use, set forth in manuals and instruction sheets furnished by seller.

Sellers obligation under this warranty shall be limited to the repair or rework of the goods supplied or replacement thereof, at Seller's option, and in no case is to exceed the invoice value of said goods. Under no circumstances will the seller be liable for incidental or consequential damages or for damages incurred by the buyer or subsequent user in repairing or replacing defective goods or if the goods covered by this warranty are reworked or subjected to any type of additional processing.

This warranty is void if Seller is not notified in writing of any rejections or defects within 1 year after the receipt of the material by the customer.

THIS WARRANTY IS MADE IN LIEU OF ALL OTHER WARRANTIES EXPRESSED OR IMPLIED, INCLUDING MERCHANTABILITY.

GB2628 GB2628A

HYDRAULIC INSTALLATION TOOL



DESCRIPTION

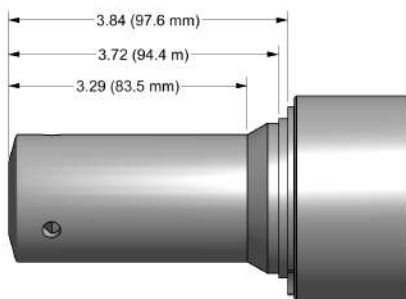
The GB2628 and the GB2628A are hydraulic installation tools designed specifically for the efficient installation of 1/2", 5/8" & 3/4" diameter lockbolts. It weighs just over 20.8lbs. (9.43 kg), and can be operated in any position with one hand. It has a 1.812" (46mm) rivet stroke and a rated pull load of 45,769 lbs. (203.58kN) @ 7,400 psi. (510.2 bar).

The GB2628 installation tool operates on hydraulic pressure developed by the GB940 Powerunit set at 7,400 psi (510.2 bar) maximum PULL pressure and 3,200 psi. (220.6 bar) maximum RETURN pressure. The tool comes equipped with 2 feet of hydraulic hoses and couplings, electric switch and cord.

The GB2628A installation tool operates on hydraulic pressure developed by the GB910 Powerunit set at 7,400 psi (510.2 bar) maximum PULL pressure and 3,200 psi. (220.6 bar) maximum RETURN pressure. The tool comes equipped with 2 feet of hydraulic hoses, swivels and couplings, air actuator and tube.

ALL GAGE BILT HYDRAULIC INSTALLATION TOOLS ARE COMPATABLE WITH HUCK® POWERUNITS. NOSE ASSEMBLIES ARE NOT FURNISHED WITH THESE TOOLS AND MUST BE ORDERED SEPARATELY.

GB2628 - SELECTION CHART



FASTENER	DIA.	NOSE ASSEMBLY
LOCKBOLT HIGH TENSILE PULL TYPE C50L® LD AVDELOK®	1/2" 5/8" 3/4"	16-7624-40 20-585-41 24-585-46
BOM® AVBOLT®	1/2" 5/8" 3/4"	BOM16-7624A-40 BOM20-585-41 BOM24-585-46
HP8	5/8" 3/4"	CONTACT GAGE BILT FOR YOUR REQUIREMENTS
HP10.9	16mm 20mm	CONTACT GAGE BILT FOR YOUR REQUIREMENTS

C50L® AND BOM® ARE REGISTERED TRADEMARKS OF ALCOA INC. AVDELOK® AND AVBOLT® ARE REGISTERED TRADEMARKS OF AVDEL UK LIMITED

GAGE BILT CERTIFIES THE GB2628 WILL INSTALL THE ABOVE FASTENERS

See gagebilt.com/nose_assemblies.htm for nose assembly information (data sheets)

NOTE: THE LAST 2 DIGITS OF THE NOSE ASSEMBLY REPRESENTS THE LENGTH THE NOSE ASSEMBLY EXTENDS FROM THE TOOL. (I.e. -40 = 4.0 inches)

9/16

WARRANTY

Seller warrants that all goods covered by this catalog will conform to applicable specifications and will replace or repair, F.O.B. our plant, any goods providing defective from faulty workmanship, or material, for 6 months from date of shipment.

Said warranty to remain in effect if, and only if, such goods are used in accordance with all instructions as to maintenance, operation and use, set forth in manuals and instruction sheets furnished by seller.

Sellers obligation under this warranty shall be limited to the repair or rework of the goods supplied or replacement thereof, at Seller's option, and in no case is to exceed the invoice value of said goods. Under no circumstances will the seller be liable for incidental or consequential damages or for damages incurred by the buyer or subsequent user in repairing or replacing defective goods or if the goods covered by this warranty are reworked or subjected to any type of additional processing.

This warranty is void if Seller is not notified in writing of any rejections or defects within 6 months after the receipt of the material by the customer.

THIS WARRANTY IS MADE IN LIEU OF ALL OTHER WARRANTIES EXPRESSED OR IMPLIED, INCLUDING MERCHANTABILITY.

GB2630 GB2630A

HYDRAULIC INSTALLATION TOOL



DESCRIPTION

The GB2630 and the GB2630A are hydraulic installation tools designed specifically for the efficient installation of 7/8" diameter lockbolts. It weighs just over 22.4 lbs. (10.2 kg). and can be operated in any position with one hand. It has a 1.906" (48.4mm) rivet stroke and a rated pull load of 55,940 lbs. (248.8kN) @ 7,400 psi. (510.2 bar).

The GB2630 installation tool operates on hydraulic pressure developed by the GB940 Powerunit set at 7,400 psi (510.2 bar) maximum PULL pressure and 3,200 psi. (220.6 bar) maximum RETURN pressure. The tool comes equipped with 2 feet of hydraulic hoses and couplings, electric switch and cord.

The GB2630A installation tool operates on hydraulic pressure developed by the GB910 Powerunit set at 7,400 psi (510.2 bar) maximum PULL pressure and 3,200 psi. (220.6 bar) maximum RETURN pressure. The tool comes equipped with 2 feet of hydraulic hoses, swivels and couplings, air trigger and tube.

ALL GAGE BILT HYDRAULIC INSTALLATION TOOLS ARE COMPATABLE WITH HUCK® POWERUNITS. NOSE ASSEMBLIES ARE NOT FURNISHED WITH THESE TOOLS AND MUST BE ORDERED SEPARATELY.

GAGE BILT
MADE in USA

GB2630 - SELECTION CHART



FASTENER	DIA.	NOSE ASSEMBLY
LOCKBOLT HIGH TENSILE PULL TYPE C50L®	7/8"	28-2630-28



C50L® IS A REGISTERED TRADEMARK OF ALCOA INC.

GAGE BILT CERTIFIES THE GB2630 WILL INSTALL THE ABOVE FASTENERS

NOTE: THE LAST 2 DIGITS OF THE NOSE ASSEMBLY REPRESENTS THE LENGTH THE NOSE ASSEMBLY EXTENDS FROM THE TOOL. (I.e. -28 = 2.8 inches)

7/11

WARRANTY

Seller warrants that all goods covered by this catalog will conform to applicable specifications and will replace or repair, F.O.B. our plant, any goods providing defective from faulty workmanship, or material, for 6 months from date of shipment.

Said warranty to remain in effect if, and only if, such goods are used in accordance with all instructions as to maintenance, operation and use, set forth in manuals and instruction sheets furnished by seller.

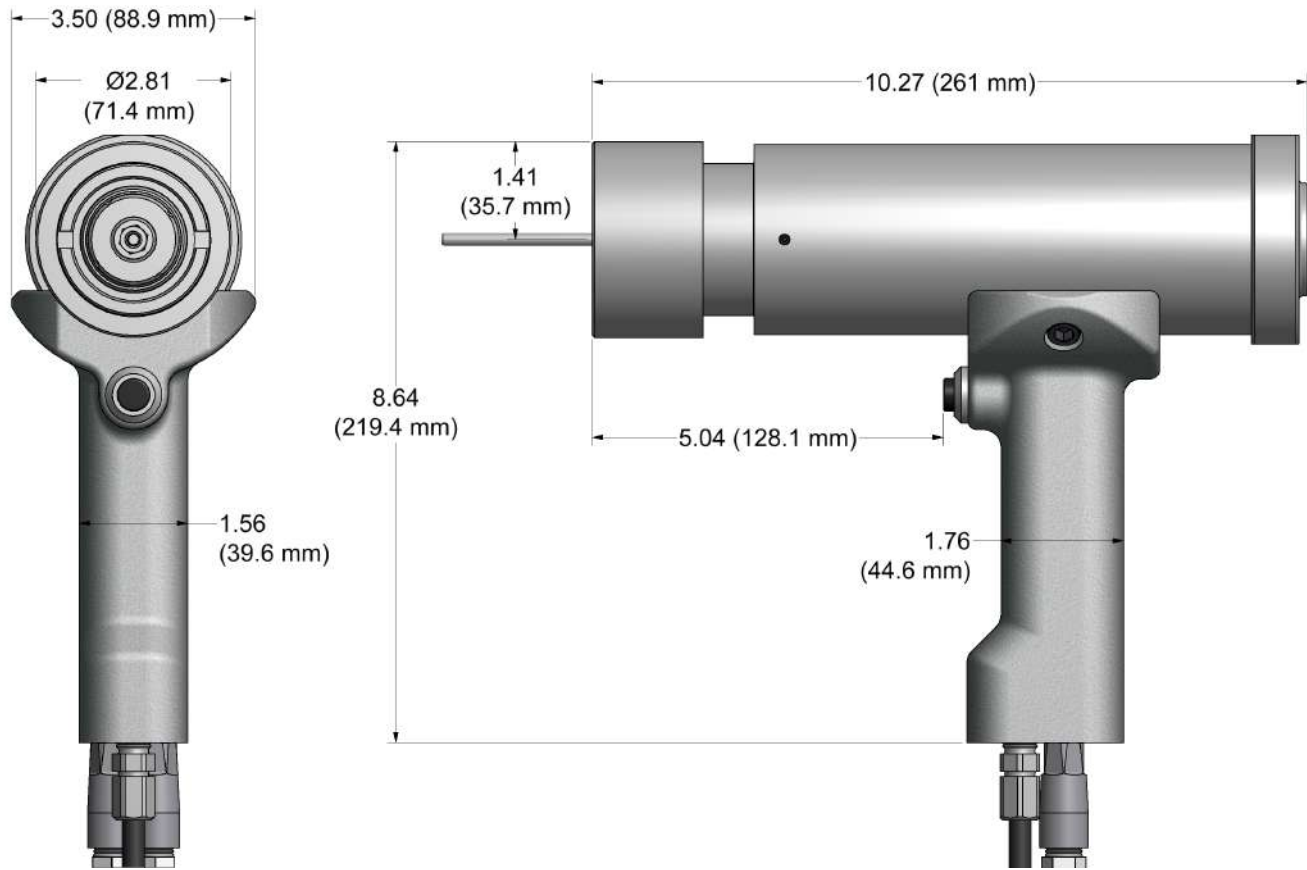
Sellers obligation under this warranty shall be limited to the repair or rework of the goods supplied or replacement thereof, at Seller's option, and in no case is to exceed the invoice value of said goods. Under no circumstances will the seller be liable for incidental or consequential damages or for damages incurred by the buyer or subsequent user in repairing or replacing defective goods or if the goods covered by this warranty are reworked or subjected to any type of additional processing.

This warranty is void if Seller is not notified in writing of any rejections or defects within 6 months after the receipt of the material by the customer.

THIS WARRANTY IS MADE IN LIEU OF ALL OTHER WARRANTIES EXPRESSED OR IMPLIED, INCLUDING MERCHANTABILITY.

GB7624 GB7624A

HYDRAULIC INSTALLATION TOOL



DESCRIPTION

The GB7624 & GB7624A are hydraulic installation tools capable of installing 5/8" and 3/4" standard lockbolts. They weigh 15 lbs (6.8 kg) and can be operated in any position with one hand. They have a 1.970" (50.0 mm) rivet setting stroke and a rated pull load of 40,000 lbs. (177.9 kN).

The GB7624 installation tool is designed to operate at pressures up to 10,000 psi (689.5 bar) on hydraulic pressure developed by the GB940 Powerunit. Normal operating pressure is set at 10,000 psi (689.5 bar) PULL pressure and 6,000 psi (413.7 bar) RETURN pressure, enabling the tool to pull all the fasteners listed on the selection chart without adjusting pressures. Powerunit may be set to the pressures only needed to pull your specific fastener using pressure setting gauge (942280) and setting pressures to amounts shown on the selection chart. The tool comes equipped with 24" hoses and electric cord kit complete with quick disconnects.

The GB7624A installation tool is designed to operate at pressures up to 10,000 psi (689.5 bar) on hydraulic pressure developed by the GB910 Powerunit. Normal operating pressure is set at 10,000 psi (689.5 bar) maximum PULL pressure and 6,000 psi (413.7 bar) maximum RETURN pressure, enabling the tool to pull all the fasteners listed on the selection chart without adjusting pressures. Powerunit may be set to the pressures only needed to pull your specific fastener using pressure setting gauge (942280) and setting pressures to amounts shown on the selection chart. The tools come equipped with the 24" hoses. Tool operates with an air actuator to pull rivet.

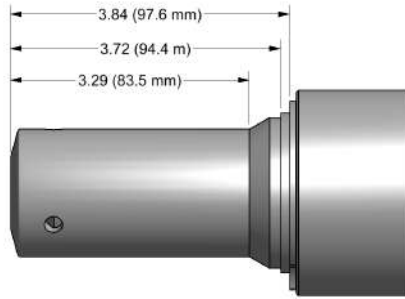
NOSE ASSEMBLIES ARE NOT FURNISHED WITH THE TOOL AND MUST BE ORDERED SEPARATELY.

GAGE BILT



MADE in USA

GB7624 & GB7624A - SELECTION CHART



FASTENER	DIA.	NOSE ASSEMBLY	HYDRAULIC PRESSURE REQUIRED	
			PULL PSI	RETURN PSI
LOCKBOLT HIGH TENSILE PULL TYPE C50L®	1/2"	16-7624-40	5400-5700	2200-2400
	5/8"	20-585-41	6200-6400	3600-3800
	3/4"	24-585-46	8800-9200	5600-6000
BOM® BLIND OVERSIZE MANDREL	1/2"	BOM16-7624A-40	5400-5700	2200-2400
	5/8"	BOM20-585-41	6200-6400	3600-3800
	3/4"	BOM24-585-46	8800-9200	5600-6000
HP8	5/8" 3/4"	CONTACT GAGE BILT FOR YOUR REQUIREMENTS		
HP10.9	16mm	CONTACT GAGE BILT FOR YOUR REQUIREMENTS		

C50L® AND BOM® ARE REGISTERED TRADEMARKS OF ALCOA INC.

GAGE BILT CERTIFIES THE GB7624(A) WILL INSTALL THE ABOVE FASTENERS

NOTE: THE LAST 2 DIGITS OF THE NOSE ASSEMBLY REPRESENTS THE LENGTH THE NOSE ASSEMBLY EXTENDS FROM THE TOOL. (I.e. -25 = 2.5 inches)

Rev. 9/16

WARRANTY

Seller warrants that all goods covered by this catalog will conform to applicable specifications and will replace or repair, F.O.B. our plant, any goods providing defective from faulty workmanship, or material, for 6 months from date of shipment.

Said warranty to remain in effect if, and only if, such goods are used in accordance with all instructions as to maintenance, operation and use, set forth in manuals and instruction sheets furnished by seller.

Sellers obligation under this warranty shall be limited to the repair or rework of the goods supplied or replacement thereof, at Seller's option, and in no case is to exceed the invoice value of said goods. Under no circumstances will the seller be liable for incidental or consequential damages or for damages incurred by the buyer or subsequent user in repairing or replacing defective goods or if the goods covered by this warranty are reworked or subjected to any type of additional processing.

This warranty is void if Seller is not notified in writing of any rejections or defects within 6 months after the receipt of the material by the customer.

THIS WARRANTY IS MADE IN LIEU OF ALL OTHER WARRANTIES EXPRESSED OR IMPLIED, INCLUDING MERCHANTABILITY.

GAGE BILT

PUSH TO SET ACTUATOR

IDEAL FOR “SPONGY” APPLICATIONS

GUARANTEES FULL RIVET INSERTION

REDUCES USER FATIGUE



Contact **GAGE BILT**
for more information.

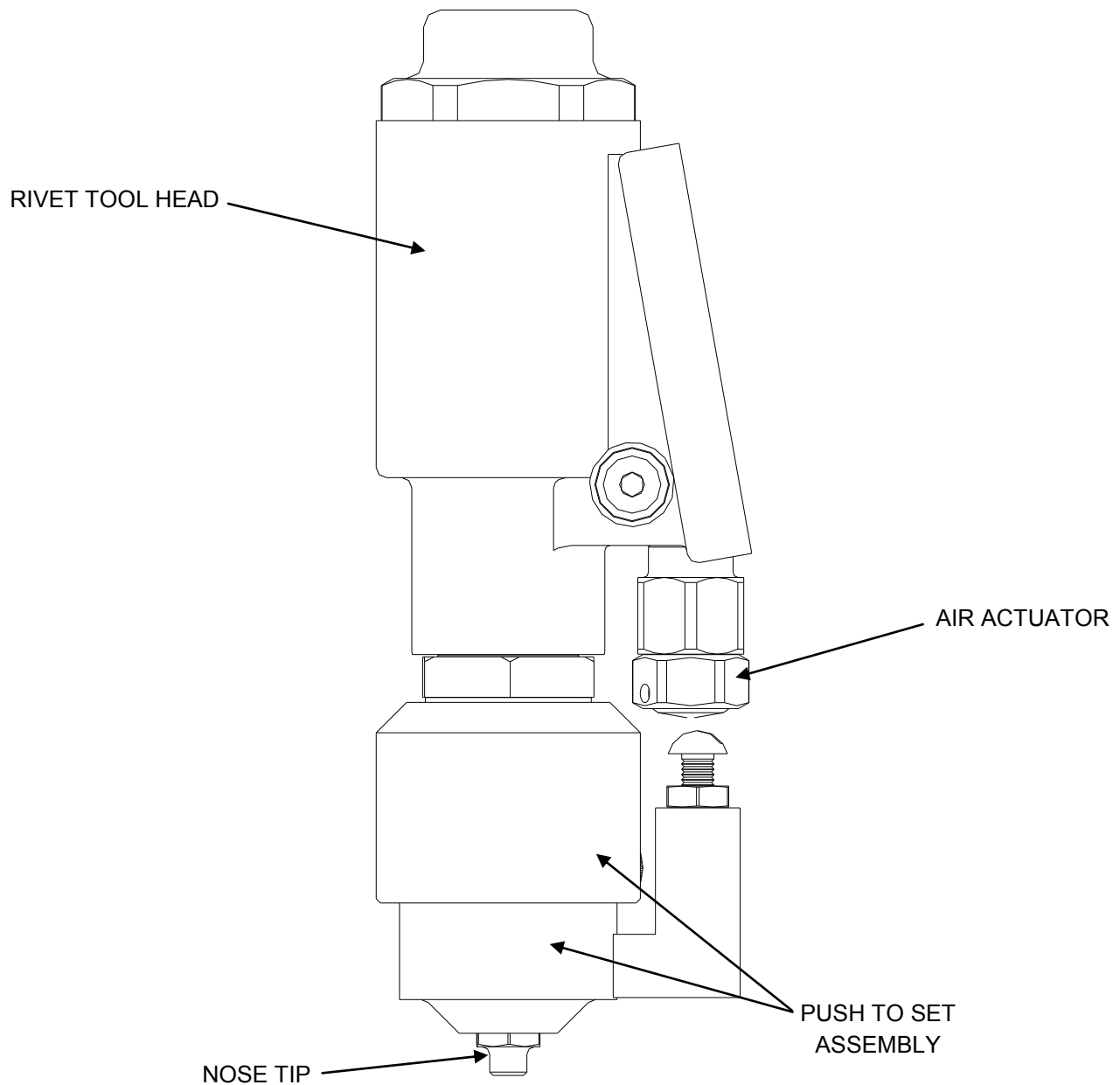
GAGE BILT



MADE in USA

GAGE BILT

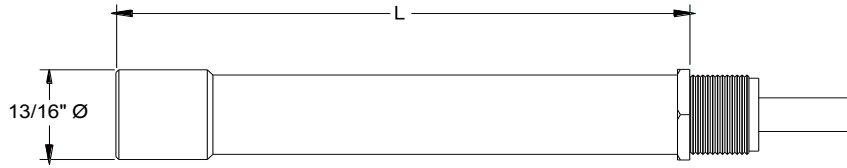
PUSH TO SET ACTUATOR



OPERATION

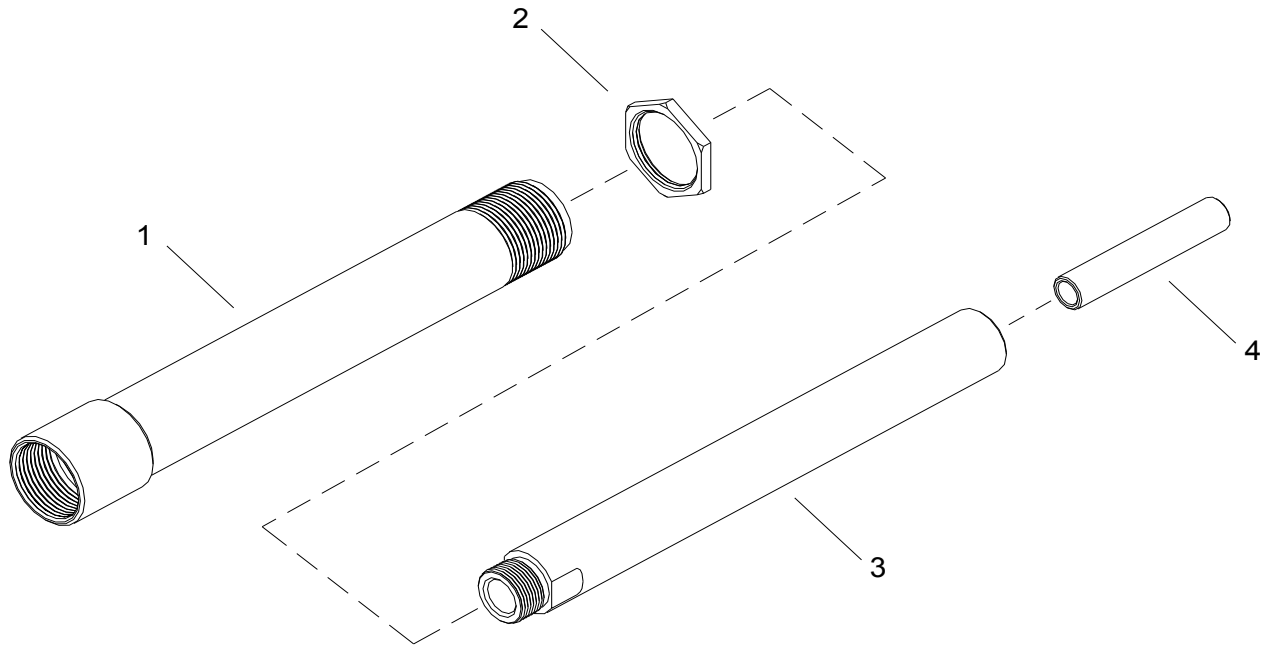
- 1) Rivet is placed in material to be fastened.
- 2) Operator places rivet tool nose tip over the rivet pintail and pushes the tool head until the push to set assembly depresses the air actuator cycling the tool and installing the fastener.
- 3) Push to set assembly spring pushes the push to set assembly away from the air actuator and the cycle is complete.

EXTENSION DATA SHEET



Part Number	L
703002	2"
703004	4"
703006	6"

These extensions help reach many restricted areas by increasing the overall length of the nose assembly. They fit directly on the GB703, GB724 & GB743 Installation Tools and will accept GB703, GB724 and GB743 style nose assemblies



INSTALLING ADAPTER ON INSTALLATION TOOL

1. Insert tube (4) into head piston
2. Screw drawbolt extension (3) onto end of head piston. Tighten securely using wrenches on flats provided
3. Thread sleeve extension (1) snugly into end of head cylinder. Tighten nut (2).
4. Attach nose assembly

12/99 Rev. 10/15

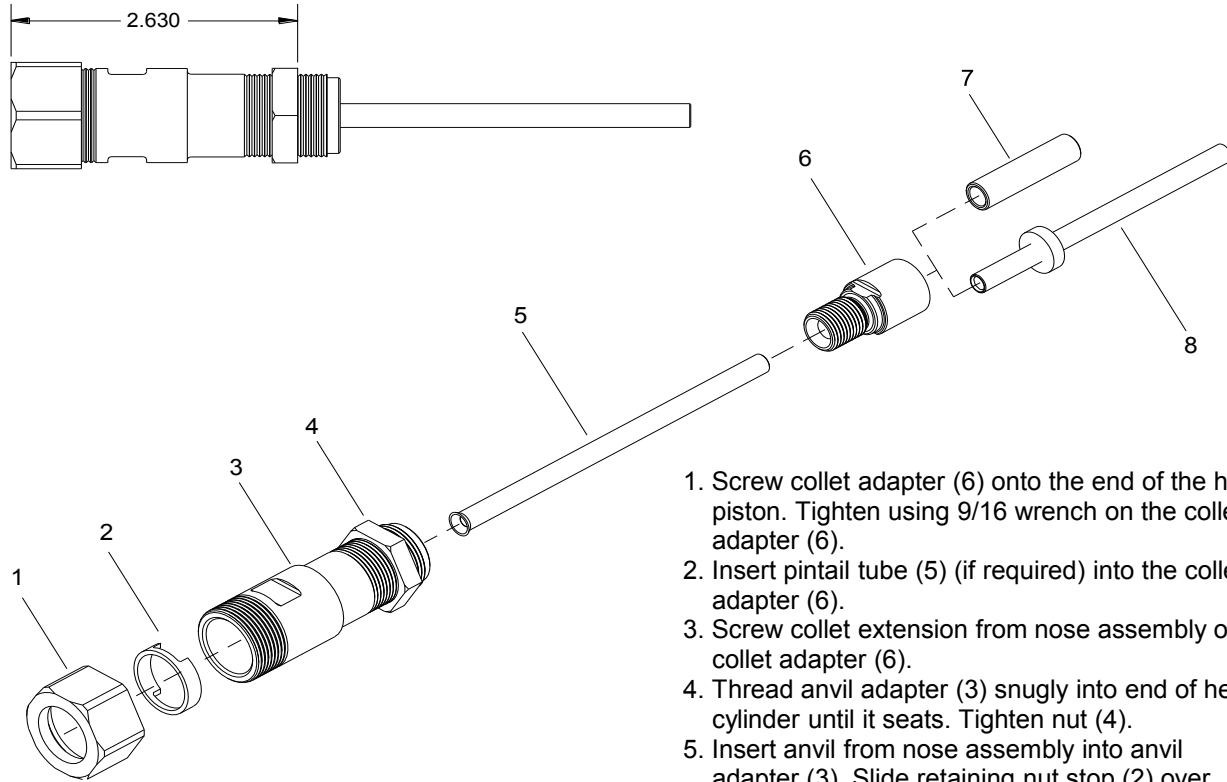
GAGE BILT

GAGE BILT Inc.

44766 Centre Court (586) 226-1500
 Clinton Twp. MI 48038 (586) 226-1505 Fax
 e-mail: solutions@gagebilt.com / www.gagebilt.com

Type:					
Extension		Extends GB703 & GB743 style nose assemblies			
Ref. No.	Qty.	Description	703002	703004	703006
1	1	Sleeve Extension	703007	703044	703009
2	1	Nut	70856	70856	70856
3	1	Drawbolt Extension	703013	703045	703015
4	1	Tube	703011	703046	703011

ADAPTER DATA SHEET



1. Screw collet adapter (6) onto the end of the head piston. Tighten using 9/16 wrench on the collet adapter (6).
2. Insert pintail tube (5) (if required) into the collet adapter (6).
3. Screw collet extension from nose assembly onto collet adapter (6).
4. Thread anvil adapter (3) snugly into end of head cylinder until it seats. Tighten nut (4).
5. Insert anvil from nose assembly into anvil adapter (3). Slide retaining nut stop (2) over anvil and tighten nut (1).

NOTE: Remove pintail tube (5) for all right angle, offset and for 1/4" straight applications.

NOTE: Use pintail tube (8) for 1/4" blind rivets straight applications only.

NOTE: Use pintail tube (7) for lockbolts, straight applications only.

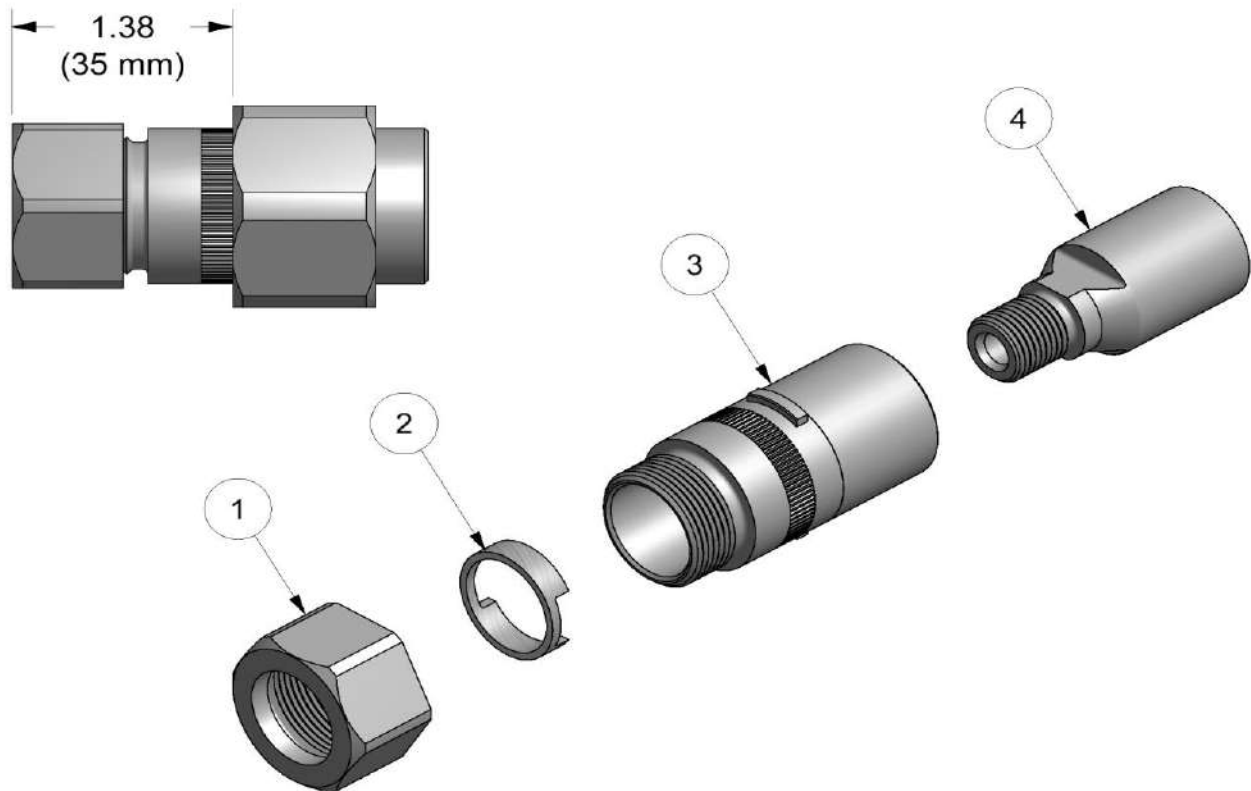
1/00 REV. 7/04

Ref. No.	Qty.	Description	Part Number
1	1	Nut	223001
2	1	Retaining Stop Nut	240102
3	1	Anvil Adapter	70325
4	1	Jam Nut	70820
5	1	Pintail Tube	200506
6	1	Collet Adapter	70326
7	1	Pintail Tube	703011-1
8	1	Pintail Tube	40893

Type: Adapter	Adapts: 352 Series Nose Assemblies to GB703 Tool	Tool: GB703 GB734 GB743
-------------------------	---	---

GAGE BILT	GAGE BILT Inc. 44766 Centre Court (586) 226-1500 Clinton Twp. MI 48038 (586) 226-1505 Fax e-mail:solutions@gagebilt.com / www.gagebilt.com	Adapter
		703352

745751 ADAPTER DATA SHEET



Assembly Instructions:

1. Assemble extension (3), and anvil adapter (4) to installation tool using the same procedure as assembling a nose assembly onto an installation tool.
2. Assemble nose assembly to adapter using same procedure as assembling a nose assembly to an installation tool, the retaining nut stop (2) and nut (1) are used to hold the nose assembly anvil to the anvil adapter (4)

3/05

GAGE BILT
MADE in USA

44766 Centre Court Clinton Twp. MI 48038 USA
Ph: +1 (586) 226-1500 Fax: +1 (586) 226-1505
solutions@gagebilt.com / www.gagebilt.com

Type:		Adapts 3/4" diameter nose assemblies to: GB745, GB756 and GB2581(A) installation tools	
Rotatable Nose Assembly Adapter			
Ref. No.	Qty.	Description	745751
1	1	Nut	211102
2	1	Retaining Nut Stop	240102
3	1	Anvil Adapter	71033
4	1	Extension	70836

STEM CATCHER BAGS

A convenient accessory that helps eliminate FOD. Features a heavy-duty zipper and a Velcro band that holds the bag securely in place to catch the spent rivet stems as they are ejected. See tool manual for part numbers.

Stem Catcher Bags for Rear Ejecting Nose Assemblies

Installs on the rear of the riveter to catch spent pintail stems. Place catcher bag over pintail deflector and easily fasten catcher bag to tool using the Velcro strap.



704214
Equivalent
to 670A20



756610

Stem Catcher Bags for Side Ejecting Nose Assemblies

Installs on the front of the riveter to catch spent pintail stems. Place nose assembly through grommet on catcher bag and easily fasten catcher bag to tool using the Velcro strap.

Use 500610 for XX-51-46 straight nose assemblies.
Use 715610 for XX-715-43 straight nose assemblies.



500610



715610

*Tool and nose assembly sold separately

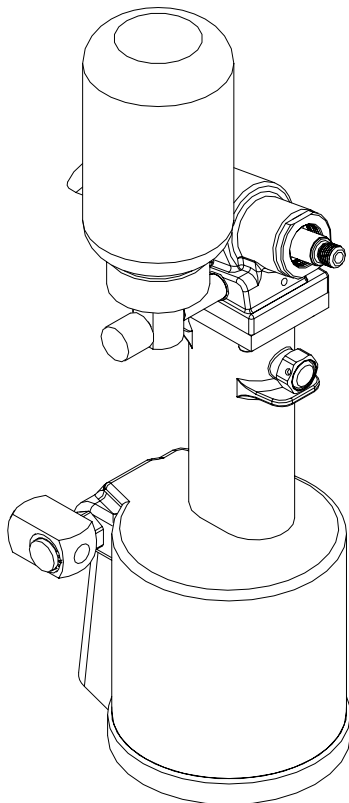
704153

AIR BLEEDER ASSEMBLY

Periodic maintenance is required on all pneudraulic tools for efficient operation and long life. It is necessary to keep the hydraulic systems on GAGE BILT pneudraulic installation tools full of fluid and free of air.

The 704153 air bleeder quickly and easily removes air from the tool's hydraulic system and assures complete filling of fluid. Your tool can be operating at peak efficiency in minutes.

The 704153 Air Bleeder Assembly may be used on most GAGE BILT pneudraulic installation tools including the GB703, GB704, GB713, GB715, GB740, GB743, GB744, GB745, GB751 and GB752. It may also be used on most Cherry® tools.



FILLING & BLEEDING VIDEO AVAILABLE AT:

www.gagebilt.com/bleeding.htm

1. Fill Air Bleeder bottle to oil level line with clean Dexron® III Transmission Fluid or equivalent.
2. Refer to tool manual for filling and bleeding instructions. (Filling and bleeding instructions vary, therefore, it is important you follow instructions specified for your tool model.)
3. Remove knob from air bleeder valve and attach Bleeder to filler hole by turning knurled thumb screw. Make sure Stat-O-Seal washers are in place to prevent leakage.
4. With the installation tool standing upright, turn Air Bleeder bottom side up.
5. Observe action inside Air Bleeder. Initially, there will be some air bubbles vigorously emitted in the bottle, but as the procedure continues a noticeable "perking" of air-free oil will occur.
6. Remove Air Bleeder, replace screw and washer, and tighten snugly.

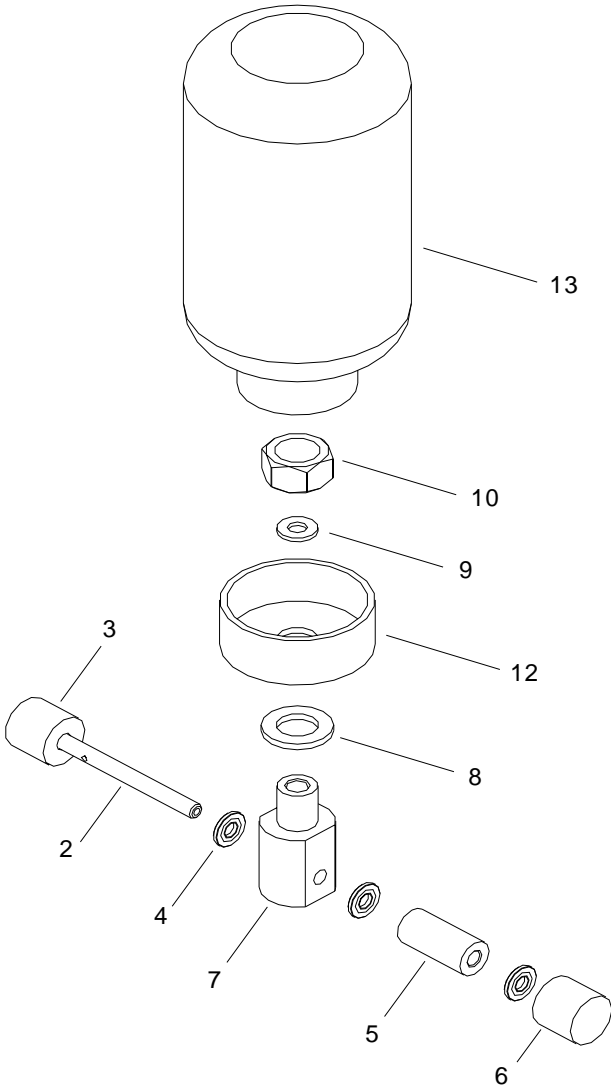
WARNING

* Do not cycle tool without air bleeder, or the screw and stat-o-seal installed in tool head. Severe personal injury may result.

GAGE BILT

MADE IN U.S.A.

Parts List For 704153 Air Bleeder Assembly



REF NO.	PART NO.	DESCRIPTION	QTY.
1	704154	THUMB SCREW ASSY (INCLUDES 2 & 3)	1
2	704155	SCREW	1
3	704159	KNOB	1
4	S572	STAT-O-SEAL	3
5	A-930	SLEEVE	1
6	704159	KNOB	1
7	704157	BLOCK	1
8	S900	STAT-O-SEAL	1
9	S898	STEEL WASHER	1
10	S899	HEX NUT	1
11	704161	BOTTLE ASSY (INCLUDES 12 & 13)	1
12	704156	CAP	1
13	704160	BOTTLE	1

DEXRON® IS A REGISTERED TRADEMARK OF GENERAL MOTORS CORPORATION. CHERRY® IS A REGISTERED TRADEMARK OF CHERRY AEROSPACE.

For items not listed, contact Gage Bilt

OTHER #	GAGE BILT #	DESCRIPTION
194	GBP194	HAND INSTALLATION TOOL
212	GB722	INSTALLATION TOOL
226	GB756	INSTALLATION TOOL
230	GB731	INSTALLATION TOOL
244	GB731	INSTALLATION TOOL
245	GB745	INSTALLATION TOOL
246	GB756	INSTALLATION TOOL
254	GB756	INSTALLATION TOOL
255	GB745	INSTALLATION TOOL
256	GB756	INSTALLATION TOOL
352	GB731	INSTALLATION TOOL
353	GB745	INSTALLATION TOOL
585	GB585	INSTALLATION TOOL HYD
752	GB752	INSTALLATION TOOL
940	GB940	HYDRAULIC POWERUNIT - ELECTRIC ***NOT CE CERTIFIED***
1005	400772	O'RING
1006	S18	BUTTON HEAD CAP SCREW
1007	400776	O'RING
1008	S19	BUTTON HEAD CAP SCREW
1024	403195	BACK-UP RING
1025	400808	O'RING
1026	401414	QUAD RING
1034	400774	O'RING
1037	400616	PIN
1074	400061	SOC. HD. CAP SCREW
1099	510101	PISTON
1100	510102	DIVIDER
1103	510103	ADAPTER
1105	510104	SLEEVE
1106	510105	SEAL
1107	510125	SEAL SEAT
1108	510107	ACTUATOR
1110	400782	O'RING
1111	400772	O'RING
1116	400807	O'RING
1117	400858	O'RING
1118	S15	RETAINING RING
1121	510114	CUSHION
1123	402464	BUTTON HEAD CAP SCREW
1126	510118	BACK CAP
1127	510119	FRONT SEAL
1131	S17	CONNECTOR BOLT
1132	510113	BUSHING
2012	GB751	INSTALLATION TOOL
2013	GB704	INSTALLATION TOOL
2013	GB704	INSTALLATION TOOL
2014	GB751/715	INSTALLATION TOOL
2015	GB703	INSTALLATION TOOL
2022	GB743	INSTALLATION TOOL
2025	GB722	INSTALLATION TOOL
2123	60301	CLOSURE CAP
2141	70319	ADAPTER - HOUSING
2171	401354	PIN
2402	40303	FOLLOWER

For items not listed, contact Gage Bilt

OTHER #	GAGE BILT #	DESCRIPTION
2480	GB2480	INSTALLATION TOOL HYD
2502	GB2581	INSTALLATION TOOL HYD.
2580	GB2581	INSTALLATION TOOL HYD.
2581	GB2581	INSTALLATION TOOL HYD.
2620	GB2620	INSTALLATION TOOL HYD.
2624	GB7624	HYDRAULIC INSTALLATION TOOL - ELECTRIC ACTUATOR
2628	GB2628	INSTALLATION TOOL HYD
2630	GB2630	INSTALLATION TOOL HYD
2635	50302	RETAINING RING
2636	50308	RETAINING RING
2641	70303	SOC HD CAP SCREW
2643	50301	SPRING
2644	50305	SPRING
2645	50307	SPRING
2647	40301	FOLLOWER
2648	40302	FOLLOWER
2654	30500	O'RING
2657	20301	COLLET
2658	20324	COLLET
2659	20326	COLLET
2660	20401	COLLET
2663	70316	DRAWBOLT
2666	70411	JAM NUT
2675	10338	HOUSING
2688	70304	PIVOT
2690	70305	LINK PIN
2691	400987	RETAINING RING
2692	70309	CLOSURE CAP
2698	70308	PIVOT PIN
2699	41017	FOLLOWER
2743	50303	SPRING
2889	50306	SPRING
2914	70306	LINK
2965	70307	DRAWBOLT
6020	30513	CHUCK JAW SET
6040	20301	COLLET
6131	70109	SPRING
6161	76302	DOWEL PIN
6162	76308	ROLL PIN
6164	76305	GUARD
6165	76306	SPRING
6166	76307	DRAWBOLT
6167	400615	SLOTTED PIN
6170	76311	FRAME ADAPTER
35043	40501	FOLLOWER
69081	78201	SADDLE
79588	OS10-756-48	NOSE ASS'Y
79590	OS12-756A-48	NOSE ASS'Y
83297	29601	THRUST BUSHING
83298	20502	COLLET
83325	30406	CHUCK JAW SET
83674	30601	CHUCK JAW SET
83717	40501	FOLLOWER
84401	70501	ADAPTER

For items not listed, contact Gage Bilt

OTHER #	GAGE BILT #	DESCRIPTION
84454	61201	SLEEVE
89140	35200	SHIM
89298	35300	SHIM
89794	35201	COLLET LOCK
89795	35301	COLLET LOCK
90801	80605	EJECTOR
90832	35201	COLLET LOCK
90838	35200	SHIM
100238	762006	EJECTOR GLAND ASS'Y
100247	585002	SPLIT RING SET
100248	505024	RETAINING SLEEVE
100378	200232	DEFLECTOR
100378	200232	DEFLECTOR - PINTAIL
100451	504122	PINTAIL EJECTOR
100534	200506	PINTAIL TUBE
100798	55601	SPACER
100799	19602	ANVIL-INNER
100800	10606	ANVIL-OUTER-20
100818	30503	CHUCK JAW SET
100820	19502	ANVIL-INNER
100821	10502	ANVIL-OUTER
100874	200252	BALL CHECK SPRING
100933	407164	SWIVEL
100967	30604	CHUCK JAW SET
101282	54501	COLLET LOCK ASS'Y
101284	54502	BALL LOCK SHELL ASSY
101300	200800	SHIFT SETTING KIT
101301	200802	PRESSURE GAGE
101302	C	GAGE ADAPTER
101303	200805	AIR FITTING
101304	200806	STOP NUT
101999	917304	FAN
102067	22401	COLLET ASS'Y
102072	22001	COLLET ASS'Y
102092	22400	COLLET & LOCK ASS'Y
102093	22000	COLLET & LOCK ASS'Y
102140	21600	COLLET & LOCK ASS'Y
102141	21601	COLLET
102147	505003	SPLIT RING
102148	504102	RETAINING SLEEVE
102149	61602	SLEEVE
102218	62402	SLEEVE
102371	55602	SPACER
102414	10607	ANVIL-OUTER-20
102420	10504	ANVIL-OUTER
102421	19601	ANVIL-INNER
102422	19503	ANVIL-INNER
102463	745751	ADAPTER ASS'Y
102596	62001	SLEEVE
102625	11601	ANVIL INTEGRAL
102626	12001	ANVIL INTEGRAL
102627	12401	ANVIL INTEGRAL
102717	92000	COLLET ASS'Y
102738	22800	COLLET ASS'Y

OTHER #	GAGE BILT #	DESCRIPTION
102783	22801	COLLET ASS'Y
102797	11002	ANVIL INTEGRAL
102858	54504	LOCK PIN-COLLET
102864	63201	SLEEVE
102877	12801	ANVIL INTEGRAL
102879	54505	RETAINER-PIN
102880	54503	LOCK PIN-COLLET
102882	62801	SLEEVE
102914	23200	COLLET & LOCK ASS'Y
103028	11202	ANVIL INTEGRAL
103164	10411	ANVIL-INTEGRAL
103340	105013	BOLT-JAW(R.H.)
103341	105014	BOLT-JAW(L.H.)
103363	105600	JAW SET
103364	105800	JAW SET
103365	105010	JAW SET
103393	11005	ANVIL INTEGRAL
103440	10807	ANVIL-OUTER
103441	19801	ANVIL-INNER
103442	29801	THRUST BUSHING
103596	940114	DIRECTIONAL VALVE
103599	940115	MANIFOLD
103600	105050	MICRO LIMIT ASS'Y
103601	105060	MICRO LIMIT ASS'Y
103602	105080	MICRO LIMIT ASS'Y
103603	105100	MICRO LIMIT ASS'Y
103604	105120	MICRO LIMIT ASS'Y
103605	105505	CUTTER
103606	105506	CUTTER
103607	105508	CUTTER
103608	105510	CUTTER
103609	105512	CUTTER
103610	105515	CUTTER HOLDER
103613	105519	CUTTER HOLDER
103615	105525	DRILL BUSHING
103616	105526	DRILL BUSHING
103617	105528	DRILL BUSHING
103618	105529	DRILL BUSHING
103619	105530	DRILL BUSHING
103620	105535	ANTI-ROTATION CAP
103621	105538	ANTI-ROTATION CAP
103622	105539	ANTI-ROTATION CAP
103715	105803	BOLT-JAW(R.H.)
103716	105804	BOLT-JAW(L.H.)
103901	940125	VALVE-RELIEF
103903	940121	ACCUMULATOR
103944	504029	SWITCH
104251	11602	ANVIL INTEGRAL
104256	31602	CHUCK JAW SET
104271	19402	ANVIL-INNER
104406	200350	ADAPTER ASSY
104589	585129	LOCATOR
104619	585133	STRAIN RELIEF-GROMMET
104633	480124	RETAINING NUT

For items not listed, contact Gage Bilt

OTHER #	GAGE BILT #	DESCRIPTION
104670	19401	ANVIL-INNER
104673	19501	ANVIL-INNER
104706	32001	CHUCK JAW SET
104719	31601	CHUCK JAW SET
104729	504101	SPLIT RING GROUP
104920	917311	BREAKER-E.T.A. 3AMP
104926	32401	CHUCK JAW SET
104927	32801	CHUCK JAW SET
104928	33201	CHUCK JAW SET
105070	480123	LOCKING RING
105093	GB105093	GRIP GAGE
105386	61607	GUIDE
105600	10807-ALT	ANVIL-OUTER
105966	82400	RELEASE & EJECTOR KIT
105968	83200	RELEASE & EJECTOR KIT
106011	41204	FOLLOWER
106474	82099	RELEASE & EJECTOR KIT
106524	ASP-06	DRIVER
106525	ASP-08	DRIVER
106639	504000	SERVICE KIT
106640	505000	SERVICE KIT
106643	11605	ANVIL INTEGRAL
106688	12402	ANVIL INTEGRAL - BOM
107569	200700	SHIFT SETTING KIT
107735	ASP-10	DRIVER
107774	940751	HYD HOSE
107892	200801	PRESSURE GAGE & ADAPTER ASSY
108169	70502	KRIMPER ADAPTER
108279	480101	TUBE
108426	40601	FOLLOWER
108771	10805	ANVIL INTEGRAL
108904	40603	FOLLOWER
109041	10515	ANVIL-DRIVING
109047	29506	THRUST BUSHING
109317	10514	ANVIL-DRIVING
109319	10816	ANVIL-DRIVING
109389	480118	RELIEF VALVE
109392	480105	NOSE ADAPTER
109503	11010	ANVIL-DRIVING
109504	11211	ANVIL - DRIVING
109626	55020	SPACER
109627	55028	SPACER
109628	55032	SPACER
109629	52010	SPRING
109856	20609	COLLET
109894	55016	SPACER
109895	51601	SPRING
109941	10660	ANVIL ASS'Y
110196	480119	LOCATOR
110334	43202	FOLLOWER
110356	42802	FOLLOWER
110438	585047	HYDR COUPLER MALE
110439	585038	HYD COUPLER FEMALE
110440	585037	HYD COUPLING ASS'Y

For items not listed, contact Gage Bilt

OTHER #	GAGE BILT #	DESCRIPTION
110525	940707	CONTROL CORD ASS'Y-28'
110595	830403	PISTON ASS'Y
110597	703401	FOLLOWER - 3/16
110639	10409	ANVIL-OUTER
110640	30404	CHUCK JAW SET
110647	29403	THRUST BUSHING
110660	22003	COLLET ASS'Y
110670	480125	RETAINING NUT STOP
110685	940116	BASE-FEMALE
110686	585044	CONNECTOR-MALE
110687	585045	CONNECTOR-FEMALE
110703	704113	PINTAIL DEFLECTOR
110748	480113	CAP ASS'Y
110749	480110	PISTON ASS'Y
110756	940703	CONTROL CORD ASS'Y-14'
110798	92404	COLLET ASS'Y
110803	12010	ANVIL INTEGRAL
110805	22010	COLLET & LOCK ASS'Y
110805	92004	COLLET ASS'Y
110835	585035	CONNECTOR ASS'Y
110836	940742	ELEC CONNECTOR ASS'Y
110838	940701	HOSE KIT-12'
110839	940705	HOSE KIT-26'
110840	940709	HOSE KIT-38'
110841	940714	HOSE KIT-52'
110842	585036	HOSE ASS'Y
110847	940702	HOSE & ELEC ASS'Y
110848	940706	HOSE & ELEC ASS'Y
110849	585039	HOSE
110852	585040	HYD HOSE ASSY-12'
110853	585041	HYD HOSE ASSY-26'
110854	585042	HYD HOSE ASSY-38'
110856	940712	CONTROL CORD EXT
110857	940716	CONTROL CORD EXT-54'
110889	50802	SPRING
110939	505034	HYDRAULIC HOSE
110940	585034	CONTROL CORD ASS'Y-24"
110961	704113	PINTAIL DEFLECTOR
110966	480120	DEFLECTOR GROUP
111000	29504	THRUST BUSHING
111037	480000	SERVICE KIT
111038	590100	SERVICE KIT
111125	40501	FOLLOWER
111142	585010	SWITCH
111179	480121	HOSE CLAMP
111198	480102	CYLINDER ASS'Y
111209	10612	ANVIL- DRIVING -BB
111247	756610	STEM CATCHER BAG
111287	480127	HANDLE ASS'Y
111289	585105	ADAPTER ASS'Y
111292	585111	PISTON GROUP
111304	10708	ANVIL & HLDR ASS'Y-25
111325	940132	RELAY
111346	940101	ELECTRIC MOTOR

For items not listed, contact Gage Bilt

OTHER #	GAGE BILT #	DESCRIPTION
111352	940119	PRESSURE SWITCH
111355	940129	FILTER ASSEM
111357	940140	GASKET
111364	940366	COVER PLATE
111370	940118	PWR CORD & PLUG ASS'Y
111403	585000	SERVICE KIT
111415	940102	BUSHING ASS'Y-2PCS
111416	940000	SERVICE KIT
111521	940739	TOOL HOSE GROUP
111795	211102	RETAINING NUT
111955	940715	HOSE-CORD ASS'Y FIRE RES.
111966	585022	RELIEF VALVE
111979	105016	HANDLE-SET
111982	105806	HANDLE-SET
112004	585123	PISTON GROUP
112010	105606	HANDLE-SET
112074	400815	O'RING (Replaces Spring 52801 - 12pcs required)
112135	22404	COLLET ASS'Y
112143	208126	AIR TUBING
112164	480304	CYLINDER
112176	940718	HOSE & CONTROL KIT-52'
112218	52004	PINTAIL EJECTOR
112334	480300	SERVICE KIT
112427	756126	GLAND RETURN
112526	480130	STAND OFF
112533	208130	HOSE
112536	480223	CORD ASS'Y-14'
112731	GB105093	GRIP GAGE
112739	31606	CHUCK JAW SET
112815	480126	HANDLE ASS'Y
112850	20401	COLLET
112851	70309	CLOSURE CAP
113021	208127	QUICK DISCONNECT
113056	206131	ACTUATOR ASSY-ELECTRIC
113190	208129	HOSE GROUP
113251	226106	BACK-UP RING
113253	226113	BACK-UP RING
113278	71250	NUT
113296	480100	SERVICE KIT
113709	105603	BOLT-JAW(R.H.)
113710	105604	BOLT-JAW(L.H.)
113753	226104	RETAINING NUT
113754	226111	BACK-UP RING
113930	31606	CHUCK JAW SET
114180	10613	ANVIL INTEGRAL
114180	16683	ANVIL ASS'Y
114181	16007	ANVIL ASS'Y
114480	10811	ANVIL INTEGRAL
114480	18877	ANVIL ASS'Y-MG60
114727	70820	JAM NUT
115280	10815	ANVIL INTEGRAL
115423	11250	ANVIL INTEGRAL
115436	228160	AIR HOSE ASSY
115474	21219	COLLET -MG48

For items not listed, contact Gage Bilt

OTHER #	GAGE BILT #	DESCRIPTION
115476	11251	ANVIL INTEGRAL
115502	227124	AIR RESTRICTOR
115714	48808	FOLLOWER
115722	70546	NUT
115753	940119	PRESSURE SWITCH ASS'Y
115770	940100	MOTOR REPAIR KIT-115V
115826	20636	COLLET
115826	20841	COLLET
115827	70823	COLLET EXTENSION
115855	10689	ANVIL INTEGRAL 209
115856	20640	COLLET
115858	70625	RETAINING NUT
115863	10548	ANVIL INTEGRAL 209
115864	20528	COLLET
115866	10871	ANVIL INTEGRAL-209
115867	20852	COLLET
115870	10541	ANVIL INTEGRAL 209
115874	10549	ANVIL INTEGRAL 209
115875	20529	COLLET
115877	10690	ANVIL INTEGRAL 209
115878	20641	COLLET
115880	10856	ANVIL-SWAGING-209
115881	20851	COLLET
115883	70827	RETAINING NUT
115884	10542	ANVIL INTEGRAL 209
115885	20525	COLLET
115888	20638	COLLET 209
115891	20850	COLLET
115898	70104	JAM NUT
115929	10875	ANVIL
116206	12004	ANVIL INTEGRAL-HP
116233	30653-S	SUPER GRIP JAW ASS'Y-CLB
116272	245168	SPRING
116404	202126	CABLE ASSY
116458	71219	COLLET EXTENSION
116462	71220	COLLET EXTENSION
116474	12403	ANVIL INTEGRAL - HP
116476	22498	COLLET ASS'Y - HP
116551	20848	COLLET
116578	20524	COLLET -209
116580	10773	ANVIL & HOLDER ASSY
116582	20849	COLLET
116583	10774	ANVIL & HOLDER ASSY
116585	202122	BOTTOM PLATE (212)
116907	10205	NOSE TIP
116909	20845	COLLET
116910	10942	ANVIL HOLDER
116911	40811	FOLLOWER
116912	40810	CAP
116916	245148	SCREW
116926	20861	COLLET
116958	10205	NOSE TIP
117076	21698	COLLET ASS'Y
117564	10248	NOSE TIP

OTHER #	GAGE BILT #	DESCRIPTION
117576	706112	CAP
117760	30653-S	SUPER GRIP JAW ASS'Y-CLB
117773	731139	SCREW
117817	225506	SPLIT RING SET
117824	480124	RETAINING NUT
117831	353209	ADAPTER ASSY
118206	70571	CAP
118297	76311	FRAME ADAPTER
118362	225507	STROKE LIMITER
118472	206118	SCREW
118605	240121	PINTAIL DEFLECTOR
118940	206131	ACTUATOR ASSY-ELECTRIC
118947	GB105093	GRIP GAGE
118948	GB105093	GRIP GAGE
118952	11150	ANVIL HOLDER
118954	10244	NOSE TIP -12
119154	206136	CORD-12'
119156	240104	HANDLE & CYLINDER
119166	240119	REAR GLAND ASS'Y
119345	240123	AIR ACTUATOR
119369	30655	JAW ASSY
119375	10562	ANVIL- DRIVING-BB
119376	10683	ANVIL - DRIVING -BB
119377	10867	ANVIL-DRIVING-BB
119381	10868	ANVIL-DRIVING-BR
119395	206123	HOUSING CAP
119400	353206	ADAPTER ASS'Y
119421	206117	LOCKING RING
119423	206102	STOP
119432	206115	CYLINDER CAP ASSY
119435	206103	CYLINDER ASS'Y
119438	240105	HANDLE & CYLINDER
119440	206126	ACTUATOR HOSE ASSY-AIR
119486	206222	ACTUATOR GUARD
119487	206112	STROKE LIMITER
119504	206125	ACTUATOR & HOUSING ASSY-AIR
119583	32002	CHUCK JAW SET
119585	82099	RELEASE & EJECTOR KIT
119703	30542-S	SUPER GRIP JAW ASS'Y
119705	30858-S	SUPER GRIP JAW ASS'Y
119706	31022-S1	SUPER GRIP JAW ASS'Y
119707	31221-S	SUPER GRIP JAW ASS'Y
119707	31226-S7	SUPER-GRIP JAW ASS'Y
119713	70553	COLLET EXTENSION
119714	70638	COLLET EXTENSION
119715	70837	COLLET EXTENSION
119716	71021	COLLET EXTENSION
119717	61001	LOCATOR
119720	20537	COLLET - L20
119722	20569	COLLET - M20
119723	20655	COLLET -L20
119725	20666	COLLET- 08
119726	20869	COLLET
119727	21019	COLLET - N

For items not listed, contact Gage Bilt

OTHER #	GAGE BILT #	DESCRIPTION
119729	21018	COLLET - L
119730	21224	COLLET - N
119732	21225	COLLET - L
119740	918127	COMBO VALVE
119777	70552	COLLET EXTENSION
119778	70635	COLLET EXTENSION
119779	70836	COLLET EXTENSION
119780	71019	COLLET EXTENSION
119851	206211	PISTON ASS'Y
119862	706405	MAXI-JAW ASS'Y -SB
119864	708401	ANVIL & HOLDER ASS'Y
119888	250150	STROKE LIMITER KIT
119944	28826	COLLET- 08 C120
119950	31611	CHUCK JAW SET
119959	31613	CHUCK JAWS
120013	208117	RETAINING RING
120016	208103	CYLINDER ASS'Y
120017	208111	PISTON ASS'Y
120018	208115	GLAND ASS'Y
120020	208110	RELIEF VALVE
120021	208112	STROKE LIMITER
120095	61107	DEFLECTOR
120118	31606	CHUCK JAW SET
120361	240122	ELECTRIC ACTUATOR
120375	30543-SH	SUPER GRIP JAW ASS'Y - LB
120376	30654-SH	SUPER GRIP JAW ASS'Y
120377	30862-SH	SUPER GRIP JAW ASS'Y - LB
120379	30655-SH	SUPER GRIP JAW ASS'Y
120380	30863-SH	SUPER GRIP JAW ASS'Y
120381	30425-SH	SUPER GRIP JAW ASS'Y
120382	30545-SH	SUPER GRIP JAW ASS'Y
120383	30656-SH	SUPER GRIP JAW ASS'Y
120384	30866-SH	SUPER GRIP JAW ASS'Y - BR
120415	30861-S3	UNITIZED JAWS (99-1427)
120588	240102	RETAINING NUT STOP
120624	16634	ANVIL INSERT
120625	18872	ANVIL INSERT
120633	12242-1	ANVIL HOLDER
120636	12242-4	ANVIL HOLDER
120637	12241-6	ANVIL HOLDER
120642	16683	ANVIL ASS'Y
120643	16007	ANVIL ASS'Y
120647	10875	ANVIL
120648	18871	ANVIL ASS'Y-M620
120649	18877	ANVIL ASS'Y-MG60
120652	585117	WASHER EJECTOR
120653	762006	EJECTOR GLAND ASS'Y
120726	70578	BUTTON HEAD SCREW
120727	71231	SPLIT RING
120738	35208	ANVIL RETAINER
120778	18802	ANVIL ASS'Y - N48
120781	10893	ANVIL ASS'Y-L48
120782	10888	ANVIL ASS'Y-N45
120793	10889	ANVIL ASS'Y-L45

For items not listed, contact Gage Bilt

OTHER #	GAGE BILT #	DESCRIPTION
120794	10888	ANVIL ASS'Y-N45
120795	70834	COLLET EXTENSION
120804	352209	ADAPTER-ANVIL
120804	353209-1	ADAPTER ASSY
120815	70835	COLLET EXTENSION
120820	10892	ANVIL ASS'Y-L23
120821	10891	ANVIL ASS'Y-L20
120822	18801	ANVIL ASS'Y - N23
120823	10890	ANVIL ASS'Y-N20
120836	81600	RELEASE & EJECTOR KIT
120925	32406	CHUCK JAW SET
120947	12016	ANVIL ASS'Y
120949	32010	CHUCK JAW SET
120951	16606	ANVIL ASS'Y - N23
120952	16607	ANVIL ASS'Y - N48
120955	11022	ANVIL ASS'Y - N23
120956	11023	ANVIL ASS'Y - N48
120958	11223	ANVIL ASS'Y - N23
120959	11222	ANVIL ASS'Y - N48
120998	82000	RELEASE & EJECTOR KIT
121242	82800	RELEASE & EJECTOR KIT
121249	70636	COLLET EXTENSION
121252	70637	COLLET EXTENSION
121261	30651-S2	SUPER GRIP JAW ASS'Y
121262	41014	JAW SPACER
121263	40847	SPACER
121264	40637	SPACER
121265	21021	COLLET -N12
121266	20871	COLLET ASS'Y -12n
121267	20656	COLLET - 12N
121268	20658	COLLET - 10N
121271	18804	ANVIL ASS'Y - N12
121272	16605	ANVIL ASS'Y - N12
121273	11031	ANVIL ASS'Y - N12
121274	16619	ANVIL ASS'Y - N10
121275	18815	ANVIL ASS'Y - N10
121276	11227	ANVIL ASS'Y - N12
121277	16603	ANVIL ASS'Y - N45
121278	16601	ANVIL ASS'Y - N20
121371	21020	COLLET - L12
121549	18805	ANVIL ASS'Y - L12
121550	20872	COLLET - 12
121559	70550	COLLET EXTENSION
121565	10585	ANVIL ASS'Y-N20
121568	10565	ANVIL ASS'Y-N23
121569	70551	COLLET EXTENSION
121571	10584	ANVIL ASS'Y-N45
121573	10564	ANVIL ASS'Y-N45
121574	20539	COLLET ASS'Y - N10
121575	30542-S2	SUPER GRIP JAW ASS'Y
121576	10589	ANVIL ASS'Y-N10
121578	10588	ANVIL ASS'Y-N10
121581	10594	ANVIL ASS'Y-N12
121582	20541	COLLET - N12

OTHER #	GAGE BILT #	DESCRIPTION
121583	40525	SPACER
121585	10591	ANVIL ASS'Y-N12
121587	10586	ANVIL ASS'Y-N23
121589	10568	ANVIL ASS'Y-N23
121591	10587	ANVIL ASS'Y-N48
121593	10570	ANVIL ASS'Y-N48
121696	10590	ANVIL ASS'Y-L10
121697	20540	COLLET - L10
121699	10566	ANVIL ASS'Y-L20
121701	10567	ANVIL ASS'Y-L45
121703	10593	ANVIL ASS'Y-L12
121704	20542	COLLET L12
121706	10569	ANVIL ASS'Y-L23
121708	10571	ANVIL ASS'Y-L48
121710	16621	ANVIL ASS'Y - L10
121711	20660	COLLET - 10
121713	16602	ANVIL ASS'Y - L20
121715	16604	ANVIL ASS'Y - L45
121717	16618	ANVIL ASS'Y - L12
121718	20657	COLLET - 12
121720	16612	ANVIL ASS'Y - L23
121722	16613	ANVIL ASS'Y - L48
121724	18816	ANVIL ASS'Y - L10
121725	20877	COLLET -L10
121730	11030	ANVIL ASS'Y - L12
121733	11020	ANVIL ASS'Y - L23
121733	12241-5	ANVIL HOLDER
121735	11021	ANVIL - L48
121740	11224	ANVIL ASS'Y - L23
121742	11225	ANVIL ASS'Y - L48
121747	10451	ANVIL ASS'Y-ML20
121749	10464	ANVIL ASS'Y-ML45
121756	10457	ANVIL - ASS'Y-ML48
121758	15551	ANVIL ASS'Y - ML10
121761	15541	ANVIL ASS'Y - ML20
121763	15561	ANVIL ASS'Y - ML45
121765	15563	ANVIL ASS'Y - ML12
121768	15549	ANVIL ASS'Y - ML23
121770	15550	ANVIL ASS'Y - ML48
121772	16655	ANVIL ASS'Y - ML10
121775	16637	ANVIL ASS'Y - ML20
121777	16666	ANVIL ASS'Y - ML45
121782	16645	ANVIL ASS'Y - M23
121784	16646	ANVIL ASS'Y - M48
121786	16667	ANVIL ASS'Y - ML12
121789	18833	ANVIL ASS'Y - ML23
121791	18834	ANVIL ASS'Y - ML48
121803	10452	ANVIL ASS'Y - M20
121805	10447	ANVIL ASS'Y - M45
121814	15546	ANVIL ASS'Y - M10
121817	15544	ANVIL ASS'Y - M20
121819	15534	ANVIL ASS'Y - M45
121821	15562	ANVIL ASS'Y - M12
121824	15552	ANVIL ASS'Y - M23

For items not listed, contact Gage Bilt

OTHER #	GAGE BILT #	DESCRIPTION
121826	15553	ANVIL ASS'Y - M48
121831	16640	ANVIL ASS'Y - M20
121833	16631	ANVIL ASS'Y - M45
121835	16668	ANVIL ASS'Y - M12
121838	16647	ANVIL ASS'Y - ML23
121840	16648	ANVIL ASS'Y - ML48
121845	18835	ANVIL ASS'Y - M23
121847	18836	ANVIL ASS'Y - M48
121919	28839	COLLET
122134	256208	ADAPTER-ROTATABLE(OFFSET)
122297	82498	RELEASE & EJECTOR KIT
122317	82097	RELEASE & EJECTOR KIT
122322	82898	RELEASE & EJECTOR KIT
122448	70571	CAP
122666	GB105093	GRIP GAGE
122667	GB105093	GRIP GAGE
122690	42802	FOLLOWER
122705	505022	PINTAIL EJECTOR
122742	586107	WIPER
122764	582127	LOCATOR
122766	262032	DEFLECTOR
122773	54509	BALL LOCK SHELL ASSY
122833	30856	CHUCK JAW SET
122836	18876	ANVIL ASS'Y - LB08
122917	30633-A1	JAW ASSY
123136	258011	PISTON ASSEMBLY
123138	258007	WIPER HOUSING
123139	258014	FRONT GLAND ASSY
123142	258017	FRONT GLAND ASSY
123144	258032	DEFLECTOR
123145	258019	RELIEF VALVE
123146	258015	BARBED RETAINER
123373	582105	FOLLOWER
123374	582106	FOLLOWER
123375	582101	ANVIL
123382	582103	RELEASE & EJECTOR KIT
123457	42003	FOLLOWER
123457	92403	COLLET ASS'Y
123458	22000	COLLET & LOCK ASS'Y
123459	82000	RELEASE & EJECTOR KIT
123499	62006	SLEEVE
123544	62006	SLEEVE
123545	42401	FOLLOWER
123546	82400	RELEASE & EJECTOR KIT
123547	22400	COLLET & LOCK ASS'Y
123580	61613	SLEEVE
123581	41605	FOLLOWER
123582	61609	SLEEVE
123584	81600	RELEASE & EJECTOR KIT
123590	62005	SLEEVE
123742	76302	DOWEL PIN
123749	585036	HYD HOSE ASS'Y
123749	585052	HYD HOSE 2' W/ ARMOR
123794	10426	ANVIL-DRIVING-BR

For items not listed, contact Gage Bilt

OTHER #	GAGE BILT #	DESCRIPTION
123795	10563	ANVIL- DRIVING-BR
123796	10684	ANVIL - DRIVING -BR
123877	50421	SPRING
123925	18873	ANVIL ASS'Y - LB08
123926	18874	ANVIL INSERT
123927	30861-S	UNITIZED JAWS -08C6L
123927	30861-S	SUPER GRIP JAW ASS'Y - CLB
123928	20841	COLLET
123929	30653-S	SUPER GRIP JAW ASS'Y-CLB
123930	16002	ANVIL ASS'Y - LB06
123958	30544-S	SUPER GRIP JAW ASS'Y
124090	244193	STALL NUT
124113	206751	ADAPTER ASS'Y
124169	82056	RELEASE & EJECTOR KIT
124210	250116	DEFLECTOR
124210	756120	DEFLECTOR
124211	752122	PINTAIL DEFLECTOR
124221	22003	COLLET ASS'Y
124358	70822	COLLET EXTENSION
124359	70650	COLLET EXTENSION
124360	70823	COLLET EXTENSION
124604	20841	COLLET
124728	30628	CHUCK JAW SET
124749	82000	RELEASE & EJECTOR KIT
124868	248013	RELIEF VALVE
124869	248008	GLAND - FRONT
124870	248005	CAP
124871	248006	GLAND ASS'Y
124872	248017	GLAND - REAR
124873	248017	GLAND - REAR
124873	248018	GLAND
124875	248010-1	PISTON ASS'Y
124876	248019	END CAP
124880	248022	CORD ASS'Y
124881	206119	HYD-HOSE
124882	240111	PISTON ASS'Y
124883	248010	PISTON ASS'Y
125087	20845	COLLET
125151	10248	NOSE TIP
125152	10202	NOSE TIP
125153	10203	NOSE TIP
125154	10204	NOSE TIP
125155	10211	NOSE TIP
125279	10170	NOSE TIP
125422	18875	ANVIL-MG46F
125535	244101	HEAD PLUG SEAT ASSEMBLY
125567	20426	COLLET
125609	262012	FRONT GLAND
125610	262007	WIPER HOUSING
125613	262011	PISTON ASS'Y
125652	756610	STEM CATCHER BAG
125683	262807	WIPER HOUSING
125691	262414	BACK-UP RING
125698	16004	ANVIL ASS'Y

OTHER #	GAGE BILT #	DESCRIPTION
125724	201505	GASKET
125750	202506	END CAP
125762	262006	PISTON ASS'Y
125765	262030	BARBED RETAINER
125798	17001	ANVIL ASSY-SWAGING
125799	20728	COLLET
125801	30705-CS	SUPER GRIP JAW ASS'Y
125858	18870	ANVIL INSERT-M6
126001	30652-S	SUPER GRIP JAW ASS'Y- MG
126195	262811	FRONT GLAND
126197	262808	CYLINDER ASS'Y
126198	262819	RELIEF VALVE
126941	201505	GASKET
126959	263011	FRONT GLAND
126960	263019	RELIEF VALVE
126962	263007	WIPER HOUSING
126966	263008	CYLINDER ASS'Y
126981	263020	HEX KEY
127047	17003	ANVIL ASSY-SWAGING
127330	30860-S	SUPER GRIP JAW ASS'Y - MG
127331	30652-S	SUPER GRIP JAW ASS'Y
127484	31226-S6	SUPER-GRIP JAW ASS'Y
128071	30654-S9	SUPER GRIP JAW ASS'Y
128072	30862-S5	SUPER GRIP JAW ASS'Y
128076	30543-S9	SUPER GRIP JAW ASS'Y
128077	30655-S8	SUPER GRIP JAW ASS'Y
128376	12017	ANVIL HOLDER (99-7851)
128379	12018	ANVIL ASS'Y (99-7851)
128389	32013	PULLER (99-7851)
128487	71143	DRAWBAR
128742	358522	PINTAIL EJECTOR PIN
128792	202506	END CAP
129114	31237	PULLER
129294	31038-CS	SUPER-GRIP JAW ASS'Y
129298	30877-CS	SUPER-GRIP JAW ASS'Y
129454	407164	SWIVEL
129503	256208	ADAPTER-ROTATABLE(OFFSET)
202155	10286	NOSE TIP (8T)
202929	30426	CHUCK JAW SET
300179	20836	COLLET
500001	400001	HEX HEAD CAP SCREW
500044	400044	SOC. HD. CAP SCREW
500046	400046	SOC. HD. CAP SCREW
500047	400047	SOC. HD. CAP SCREW
500048	400048	SOC. HD. CAP SCREW
500049	400049	SOC. HD. CAP SCREW
500054	400054	SOC. HD. CAP SCREW
500055	400055	SOC. HD. CAP SCREW
500056	400056	SOC. HD. CAP SCREW
500057	400057	SOC. HD. CAP SCREW
500060	400060	SOC. HD. CAP SCREW
500061	400061	SOC. HD. CAP SCREW
500062	400062	SOC. HD. CAP SCREW
500063	400063	SOC. HD. CAP SCREW

For items not listed, contact Gage Bilt

OTHER #	GAGE BILT #	DESCRIPTION
500064	400064	SOC. HD. CAP SCREW
500065	400065	SOC. HD. CAP SCREW
500066	400066	SOC. HD. CAP SCREW
500068	400068	SOC. HD. CAP SCREW
500069	400069	SOC. HD. CAP SCREW
500070	400070	SOC. HD. CAP SCREW
500071	400071	SOC. HD. CAP SCREW
500072	400072	SOC. HD. CAP SCREW
500073	400073	SOC. HD. CAP SCREW
500074	400074	SOC. HD. CAP SCREW
500075	400075	SOC. HD. CAP SCREW
500078	400078	SOC. HD. CAP SCREW
500079	400079	SOC. HD. CAP SCREW
500081	400081	SOC. HD. CAP SCREW
500082	400082	SOC. HD. CAP SCREW
500084	400084	SOC. HD. CAP SCREW
500087	400087	SOC. HD. CAP SCREW
500100	400100	SOC. HD. CAP SCREW
500101	400101	SOC. HD. CAP SCREW
500102	400102	SOC. HD. CAP SCREW
500104	400104	SOC. HD. CAP SCREW
500105	400105	SOC. HD. CAP SCREW
500107	400107	SOC. HD. CAP SCREW
500110	400110	BUTTON HEAD CAP SCREW
500125	400125	SOC HD CAP SCREW
500136	400136	SOC HD CAP SCREW
500166	400166	WASHER
500167	400167	SAE-FLAT WASHER
500168	400168	SAE-FLAT WASHER
500169	400169	SAE-FLAT WASHER
500170	400170	SAE-FLAT WASHER
500178	400178	LOCKWASHER
500180	400180	LOCKWASHER
500181	400181	LOCKWASHER
500182	400182	SPLIT LOCKWASHER
500195	400195	LOCKWASHER
500212	400212	HEX NUT
500213	400213	HEX NUT
500215	400215	HEX-NUT
500216	400216	HEX-NUT
500217	400217	HEX-NUT
500234	400234	HEX-NUT
500330	400330	FLAT HEAD SCREW
500413	400413	ROUND HEAD SET SCREW
500559	400559	FLEX LOCK NUT
500586	400586	RETAINING RING
500601	400601	SLOTTED PIN
500602	400602	SLOTTED PIN
500604	400604	SLOTTED PIN
500607	400607	SLOTTED PIN
500608	400608	SLOTTED PIN
500608	400612	SLOTTED PIN
500612	400616	SLOTTED PIN
500615	400615	SLOTTED PIN

OTHER #	GAGE BILT #	DESCRIPTION
500617	400617	SLOTTED PIN
500618	400618	SLOTTED PIN
500619	400619	PIN
500621	400621	SLOTTED PIN
500626	400626	SLOTTED PIN
500637	400637	SPRING PIN
500639	400641	SPRING PIN
500641	400641	SLOTTED PIN
500648	400648	SCR CUP PT S/S 10-32X3/16 ZP19
500717	400171	SAE-FLAT WASHER
500731	400731	FL SOC HEAD CAP
500732	400792	O'RING
500772	400772	O'RING
500773	400772	O'RING
500774	400774	O'RING
500775	400775	O'RING
500776	400776	O'RING
500777	400777	O'RING
500778	400778	O'RING
500779	400779	O'RING
500780	400780	O'RING
500781	400781	O'RING
500782	400782	O'RING
500783	400783	O'RING
500784	400784	O'RING
500785	400785	O'RING
500786	400786	O'RING
500787	400787	O'RING
500788	400788	O'RING
500789	400789	O'RING
500790	400790	O'RING
500791	400791	O'RING
500793	400793	O'RING
500794	400794	O'RING
500796	400796	O'RING
500797	400797	O'RING
500800	400800	O'RING
500807	400807	O'RING
500808	400808	O'RING
500809	400809	O'RING
500810	400810	O'RING
500811	400811	O'RING PACKING
500812	400812	O'RING
500813	400813	O'RING
500814	400814	O'RING
500815	400815	O'RING
500816	400816	O'RING
500817	400817	O'RING
500818	400818	O'RING
500819	400819	O'RING
500820	400820	O'RING
500821	400821	O'RING
500822	400822	O'RING
500823	400823	O'RING

For items not listed, contact Gage Bilt

OTHER #	GAGE BILT #	DESCRIPTION
500824	400824	O'RING
500825	400825	O'RING
500826	400826	O'RING
500827	400827	O'RING
500828	400828	O'RING
500841	400841	O'RING
500843	400843	O'RING
500845	400845	O'RING
500846	400846	O'RING
500847	400847	O'RING
500850	400850	O'RING
500851	400851	O'RING
500858	400858	O'RING
500859	400859	O'RING
500863	400863	O'RING
500867	400867	O'RING
500872	400872	O'RING
500878	400878	O'RING
500907	400907	O'RING
500912	400912	O'RING PACKING
500933	400933	RETAINING RING
500935	400935	RETAINING RING
500936	400936	RETAINING RING
500987	400987	RETAINING RING
500996	400996	RETAINING RING
501018	401018	RETAINING RING
501027	401027	RETAINING RING
501030	401030	RETAINING RING
501054	401085	BACK-UP RING
501075	401075	QUAD RING
501078	401078	BACK-UP RING
501079	401079	RETAINING RING
501080	401080	BACK-UP RING
501082	401082	BACK-UP RING
501083	401083	BACK-UP RING
501086	401086	BACK-UP RING
501088	401088	BACK-UP RING
501089	401089	BACK-UP RING
501090	401090	BACK-UP RING
501091	401091	BACK-UP RING
501092	401092	BACK-UP RING
501093	401093	BACK-UP RING
501094	401094	BACK-UP RING
501095	401095	BACK-UP RING
501097	401097	BACK-UP RING
501098	401098	BACK-UP RING
501099	401099	BACK-UP RING
501100	401100	BACK-UP RING
501101	401101	BACK-UP RING
501102	401102	BACK-UP RING
501103	401103	BACK-UP RING
501104	401104	BACK-UP RING
501105	401105	BACK-UP RING
501106	401106	BACK-UP RING

For items not listed, contact Gage Bilt

OTHER #	GAGE BILT #	DESCRIPTION
501107	401107	BACK-UP RING
501108	401108	BACK-UP RING
501109	401109	BACK-UP RING
501110	401110	BACK-UP RING
501111	401111	BACK-UP RING
501112	401112	BACK-UP RING
501113	401113	BACK-UP RING
501114	401114	BACK-UP RING
501115	401115	BACK-UP RING
501116	401116	BACK-UP RING
501117	401117	BACK-UP RING
501118	401118	BACK-UP RING
501119	401119	BACK-UP RING
501121	401121	BACK-UP RING
501122	401122	BACK-UP RING
501125	401125	BACK-UP RING
501127	401127	BACK-UP RING
501128	401128	BACK-UP RING
501137	401137	BACK-UP RING
501138	401138	BACK-UP RING
501139	401139	BACK-UP RING
501140	401140	BACK-UP RING
501140	401149	BACK-UP RING
501141	401141	QUAD RING
501142	401142	BACK-UP RING
501143	401143	BACK-UP RING
501144	401144	BACK-UP RING
501145	401145	BACK-UP RING
501146	401146	BACK-UP RING
501147	401147	BACK-UP RING
501148	401148	BACK-UP RING
501150	401150	BACK-UP RING
501151	401151	BACK-UP RING
501153	401153	BACK-UP RING
501155	401155	BACK-UP RING
501157	401157	BACK-UP RING
501158	401158	BACK-UP RING
501160	401160	BACK-UP RING
501161	401161	BACK-UP RING
501162	401162	BACK-UP RING
501163	401163	BACK-UP RING
501164	401164	BACK-UP RING
501166	401166	BACK-UP RING
501167	401167	BACK-UP RING
501168	401168	BACK-UP RING
501171	401171	QUAD RING
501172	401172	QUAD RING
501173	401170	QUAD RING
501173	401173	QUAD RING
501198	401198	SOC. HD. CAP SCREW
501199	401199	SOC. HD. CAP SCREW
501205	401205	SOC. HD. CAP SCREW
501208	401208	SOC. HD. CAP SCREW
501218	401218	SOC. HD. CAP SCREW

OTHER #	GAGE BILT #	DESCRIPTION
501224	401224	SOC. HD. CAP SCREW
501226	401226	SOC. HD. CAP SCREW
501267	401267	SCREW
501308	401308	COTTER PIN
501314	401314	COTTER PIN
501354	401354	DOWEL PIN
501408	401408	QUAD RING
501409	401409	QUAD RING
501410	401410	QUAD RING
501411	401411	QUAD RING
501414	401414	QUAD RING
501415	401415	QUAD RING
501419	401419	QUAD RING
501423	401423	QUAD RING
501426	401426	QUAD RING
501451	401451	QUAD RING
501456	401456	QUAD RING
501458	401458	QUAD RING
501460	401460	QUAD RING
501462	401462	QUAD RING
501466	401466	QUAD RING
501493	401493	RETAINING RING
501514	401514	RETAINING RING
501521	401521	RETAINING RING
501533	401533	RETAINING RING
501555	401555	RETAINING RING
501607	401607	SET SCREW
501613	401613	CUP PT SET SCREW
501623	401623	CUP PT SET SCREW
501625	401625	CUP PT SET SCREW
501635	401635	CUP PT SET SCREW
501641	401641	CUP PT SET SCREW
501731	401731	SET SCREW
501736	401736	SCR CON PT S/S 8-32X3/16 ZP 20
501775	401775	FLAT PT. SCREW
501780	401780	FLAT PT. SCREW
501781	401781	FLAT PT. SCREW
501816	401816	FLAT PT.SET SCREW
501818	401818	FLAT PT. SCREW
501822	401822	FLAT PT.SET SCREW
501829	401829	SCREW
501900	401900	CUP SET SCREW
501920	401920	SET SCREW
502018	402018	FLAT PT. SCREW
502112	402112	RETAINING RING
502128	402128	SPRING PIN
502129	402129	SPRING PIN
502130	402130	SPRING PIN
502133	402133	SPRING PIN - SLOTTED
502135	402135	SPRING PIN
502141	402141	SPRING PIN
502150	402150	BACK-UP RING
502213	402213	BACK-UP RING
502217	402217	BACK-UP RING

For items not listed, contact Gage Bilt

OTHER #	GAGE BILT #	DESCRIPTION
502222	402222	BACK-UP RING
502259	402259	RETAINING RING
502263	402263	RETAINING RING
502294	402294	HEX KEY
502296	402296	HEX KEY
502312	402312	RETAINING RING
502321	402321	RETAINING RING
502330	402330	RETAINING RING
502345	402345	RETAINING RING
502373	402373	PIPE PLUG
502432	402432	BACK-UP RING
502443	402443	HEX-KEY
502444	402444	HEX-KEY
502464	402464	BUTTON HEAD CAP SCREW
502471	402471	BUTTON HEAD CAP SCREW
502471	402471	BUTTON HEAD CAP SCREW
502472	402472	BUTTON HEAD CAP SCREW
502474	402474	BUTTON HEAD CAP SCREW
502479	402479	BUTTON HEAD CAP SCREW
502483	402483	BUTTON HEAD CAP SCREW
502486	402486	BUTTON HEAD CAP SCREW
502489	402489	BUTTON HEAD CAP SCREW
502490	402490	BUTTON HEAD CAP SCREW
502506	402506	STEEL BALL
502507	402507	STEEL BALL
502509	402509	STEEL BALL
502520	402520	STEEL BALL
502571	402571	O'RING
502585	402585	LOCK WASHER
502601	402601	LOCK WASHER
502604	402604	LOCK WASHER
502653	402653	HEX KEY
502655	402655	HEX KEY
502671	402671	RETAINING RING
502712	402712	BRASS BALL
502715	402715	BRASS BALL
502722	402722	RETAINING RING
502723	402723	LUBRI-TITE 1.75OZ TUBE
502782	402482	BUTTON HEAD CAP SCREW
502811	402811	RETAINING RING
502816	402816	RETAINING RING
502821	402821	RETAINING RING
502845	402845	LOCK WASHER
502847	402847	LOCK WASHER
502855	402855	BACK-UP RING
502934	402934	STEEL BALL
502971	402971	WASHER
502972	402972	WASHER
502973	402973	WASHER
502992	402992	DRIVE SCREW
502999	402999	DRILL COBALT
503000	403000	DRILL COBALT
503001	403001	DRILL COBALT
503002	403002	DRILL

For items not listed, contact Gage Bilt

OTHER #	GAGE BILT #	DESCRIPTION
503120	403120	BACK-UP RING
503141	403141	NUT
503160	403160	BACK-UP RING
503163	403163	BACK-UP RING
503164	403164	BACK-UP RING
503165	403165	BACK-UP RING
503167	403167	BACK-UP RING
503168	403168	BACK-UP RING
503169	403169	BACK-UP RING
503171	403171	BACK-UP RING
503176	403176	PARBAK
503195	403195	BACK-UP RING
503368	403368	SHUT-OFF VALVE
503382	403382	NEEDLE BEARING
503396	403396	STAT-O-SEAL
503396	403396	STAT-O-SEAL
503411	403411	BACK-UP RING
503412	403412	BACK-UP RING
503431	403431	REDUCING BUSHING
503448	403448	RETAINING RING
503449	403449	O'RING
503523	403523	PIN-SPIROLOX
503561	403561	SOC HD CAP SCREW
503610	403610	BACK-UP RING
503657	403657	RETAINING LOCTITE
503658	403658	BEARING-TORR
503659	403659	BEARING-TORR
503660	403660	BEARING-TORR
503667	403667	O'RING
503680	403680	ELBOW 90 DEG
503683	403683	HEX NIPPLE
503703	403703	PIPE PLUG-FLUSH
503752	403752	BACK-UP RING
503764	403764	O'RING
503766	403766	O'RING
503768	403768	O'RING
503770	403770	O'RING
503773	403773	O'RING
503775	403775	O'RING
503776	403776	O'RING
503777	403777	O'RING
503778	403778	O'RING
503799	403799	O'RING
503800	403800	O'RING
503805	403805	O'RING
503806	403806	O'RING
503810	403810	O'RING
503812	403812	O'RING
503814	403814	O'RING
503815	403815	O'RING
503822	403822	O'RING
503841	403841	O'RING
503846	403846	O'RING
503876	403876	O'RING

OTHER #	GAGE BILT #	DESCRIPTION
503880	403880	O'RING
503881	403881	O'RING
503902	403902	FITTING
503910	403910	SOC HD CAP SCREW
503911	403911	TEE
503912	403912	REDUCER
503957	403957	RETAINER
504057	404057	HEX NIPPLE
504103	404103	SHAFT
504104	404104	O'RING
504110	404110	BUTTON HEAD CAP SCREW
504113	404113	BUTTON HEAD CAP SCREW
504125	404125	BUTTON HEAD CAP SCREW
504126	404126	BUTTON HEAD CAP SCREW
504127	404127	SCREW
504128	404128	BUTTON HEAD CAP SCREW
504228	404228	O'RING
504276	404276	BACK-UP RING
504277	404277	BACK-UP RING
504282	404282	SCREW
504342	404342	O'RING
504349	404349	QUAD RING
504378	404378	SELF TAP SCREW
504382	404382	PIPE CONNECTOR
504384	404384	COBALT DRILL
504385	404385	COBALT DRILL
504402	404402	O'RING
504404	404404	O'RING
504405	404405	O'RING
504406	404406	O'RING
504407	404407	O'RING
504408	404408	O'RING
504409	404409	O'RING
504410	404410	O'RING
504411	404411	O'RING
504412	404412	O'RING
504413	404413	O'RING
504414	404414	O'RING
504419	404419	O'RING
504421	404421	O'RING
504426	404426	O'RING
504438	404438	O'RING
504443	404443	O'RING
504445	404445	O'RING
504446	404446	O'RING
504448	404448	O'RING
504453	404453	O'RING
504455	404455	O'RING
504458	404458	O'RING
504475	404475	O'RING
504476	404476	O'RING
504478	404478	O'RING
504479	404479	O'RING
504480	404480	O'RING

OTHER #	GAGE BILT #	DESCRIPTION
504482	404482	O'RING
504483	404483	O'RING
504488	404488	O'RING
504489	404489	O'RING
504491	404491	O'RING
504498	404498	O'RING
504521	404521	O'RING
504524	404524	O'RING
504526	404526	O'RING
504531	404531	O'RING
504547	404547	O'RING
504549	404549	O'RING
504551	404551	O'RING
504552	404552	O'RING
504553	404553	O'RING
504555	404555	O'RING
504557	404557	O'RING
504561	404561	O'RING
504586	404586	O'RING
504592	404592	O'RING
504600	404600	O'RING
504616	404616	O'RING
504617	404617	O'RING
504621	404621	O'RING
504622	404622	O'RING
504626	404626	O'RING
504629	404629	O'RING
504649	404649	O'RING
504660	404660	O'RING
504665	404665	O'RING
504667	404667	O'RING
504669	404669	O'RING
504673	404673	O'RING
504674	404674	O'RING
504678	404678	O'RING
504685	404685	O'RING
504698	404698	O'RING
504701	404701	HOSE CLAMP
504710	404710	O'RING
504711	404711	O'RING
504757	404757	QUAD RING
505001	405001	DG PT SET SCREW
505017	405017	SET SCREW
505024	405024	BUTTON HEAD CAP SCREW
505084	401084	BACK-UP RING
505092	405092	O'RING
505120	405120	STEEL BALL
505334	405334	SCREW
505371	405371	SPRING
505377	405377	SET SCREW-CONE PT
505409	405409	SPRING
505419	405419	FLAT HEAD SOCKET SCREW
505436	405436	O'RING
505438	405438	O'RING

OTHER #	GAGE BILT #	DESCRIPTION
505445	405445	O'RING
505455	404455	O'RING
505496	405496	PIN
505530	405530	O'RING
505539	50421	SPRING
505539	405539	SPRING
505539	405539	SPRING
505588	405588	FLAT HD CAP SCREW
505589	405589	FLAT HD CAP SCREW
505657	405657	O'RING
505717	405717	SPRING
505735	76306	SPRING
505757	405757	O'RING
505758	405758	O'RING
505763	405763	O'RING
505790	405790	O'RING
505791	405791	O'RING
505815	405815	RETAINING RING
505817	A-523	WIPER
505818	405818	POLYSEAL
505827	405827	POLY SEAL
505832	405832	O'RING
505843	405843	WIPER (ROD WIPER MICRODOT)
505850	405850	O'RING
505861	405861	SPRING
505862	405862	SPRING
505863	405863	SPRING
505865	405865	POLY SEAL
505875	405875	O'RING
505887	405887	O'RING
505889	405889	O'RING
505891	405891	O'RING
505894	405894	WIPER (MICRODOT)
505909	405909	FL. HD. CAP SCR.
505914	405914	SPRING
505918	405918	POLYSEAL
505919	405919	POLY SEAL
506001	406001	WIPER
506002	406002	RETAINING RING
506030	406030	SOC HD CAP SCREW
506031	406031	SPRING
506038	406038	SWAGE SWITCH
506064	406064	WIPER POLY-SEAL
506065	406065	WIPER (HPT35H)
506075	406075	BACK-UP RING
506077	406077	O-RING
506078	406078	O-RING (HPT35H)
506079	406079	O-RING (HPT57H)
506080	406080	O-RING (HPT25H)
506083	406083	O-RING (HPT115)
506089	406089	O-RING (HPT35)
506159	406159	RETAINING RING
506160	406160	POLYSEAL
506174	406174	WIPER

For items not listed, contact Gage Bilt

OTHER #	GAGE BILT #	DESCRIPTION
506366	406366	RELAY
506455	406455	O'RING
506488	406488	WIPER
506492	406492	SPRING
506495	406495	HOSE
506565	406565	RETAINING RING
506566	406566	POLYSEAL
506831	406831	POLYSEAL
506878	406878	RETAINING RING
507035	52010	SPRING
507107	407107	NUT
507108	407108	WIPER
507164	407164	SWIVEL
507286	51601	SPRING
507299	407299	GAGE
507396	407396	O'RING
507400	407400	POLY SEAL
507401	407401	O'RING
507406	407406	RETAINING RING
507407	407407	ROD WIPER
507408	407408	POLY SEAL
507412	407412	O' RING
507417	407417	POLYSEAL
507418	407418	RETAINING RING
507447	407447	POLYSEAL
507473	407473	RET. RING, EXTERNAL
507625	407625	SPRING
507647	403802	O'RING
507693	407693	POLYSEAL
507708	407708	HEX BOLT
507710	407710	HEX BOLT
508041	408041	WASHER
508046	408046	WASHER
508308	408308	SPRING
514312	40533	FOLLOWER
612308	50517	SPRING
612312	40533	FOLLOWER
710915	400821	O'RING
711336	400811	O'RING PACKING
1124210	400731	FL SOC HEAD CAP
9040-2-1	15504	RATCHET PIN
9040-2-2	15501	RATCHET PIN
07340-06701	10251	NOSE TIP - MBC
07340-06801	10252	NOSE TIP - MBC
07340-06901	10253	NOSE TIP - MBC
100534-1	200506	PINTAIL TUBE
102520 SPECIAL	30510	CHUCK JAW SET
102855-2	13201	ANVIL INTEGRAL
105-10	GB105-10	COLLAR CUTTER
105-100	GB105-100	BLIND BOLT REMOVAL KIT
105-12	GB105-12	COLLAR CUTTER
105-120	GB105-120	BLIND BOLT REMOVAL KIT
105-24	GB105-24	BLIND RIVET REMOVAL KIT
105-25	GB105-25	BLIND RIVET REMOVAL KIT

For items not listed, contact Gage Bilt

OTHER #	GAGE BILT #	DESCRIPTION
105-26	GB105-26	BLIND RIVET REMOVAL KIT
105-28	GB105-28	BLIND RIVET REMOVAL KIT
105-5	GB105-5	COLLAR CUTTER
105-50	GB105-50	BLIND BOLT REMOVAL KIT
105-6	GB105-6	COLLAR CUTTER
105-60	GB105-60	BLIND BOLT REMOVAL KIT
105-8	GB105-8	COLLAR CUTTER
105-80	GB105-80	BLIND BOLT REMOVAL KIT
110218-4	41201	FOLLOWER
110671-4	105524	DRILL BUSHING
110671-5	105521	DRILL BUSHING
110671-6	105522	DRILL BUSHING
110671-8	105523	DRILL BUSHING
110672-4	105514	CUTTER HOLDER
110672-6	105516	CUTTER HOLDER
110672-8	105518	CUTTER HOLDER
110673-4	105504	CUTTER
110673-5	105501	CUTTER
110673-6	105502	CUTTER
110673-8	105503	CUTTER
110674-4	105534	ANTI-ROTATION CAP
110674-6	105536	ANTI-ROTATION CAP
110674-8	105537	ANTI-ROTATION CAP
110675-4	105240	MICRO-LIMIT ASS'Y
110675-5	105250	MICRO-LIMIT ASS'Y
110675-6	105260	MICRO-LIMIT ASS'Y
110675-8	105280	MICRO-LIMIT ASS'Y
114180CH	10613-1	ANVIL - SPECIAL (CN)
114181CH	10614-1	ANVIL
114479CH	10810-1	ANVIL - SPECIAL CLEARANCE
114480CH	10811-1	ANVIL - SPECIAL (CN)
116404-1	202126	CABLE ASSY
116910-1	10942-3	ANVIL HOLDER
118309-12	940701	HOSE KIT-12'
118309-26	940705	HOSE KIT-26'
118309-38	940709	HOSE KIT-38'
118309-52	940714	HOSE KIT-52'
118935-1	208213	ACTUATOR HSG & HOSE ASSY-AIR
118944-1	206019	HOSE (H.P.)
118944-2	206020	HYD HOSE
118944-6	206020-6	HIGH PRESSURE HOSE
118944-6	206020-6	HIGH PRESSURE HOSE
118944-7	206020-7	HIGH PRESSURE HOSE
118944-8	206020-8	HIGH PRESSURE HOSE
118944-8	206020-8	HIGH PRESSURE HOSE
118944-9	206020-9	HIGH PRESSURE HOSE
118944-9	206020-9	HIGH PRESSURE HOSE
119153-1	206119	HYD-HOSE
119422-1	206109	RELIEF VALVE
119448-1	206121	ACTUATOR HOUSING ASSY-ELECT.
120020-1	208109	RELIEF VALVE
120123CH	18809	ANVIL ASS'Y-N20
120210-1	245601	REGULATOR
120210-10	245610	REGULATOR

For items not listed, contact Gage Bilt

OTHER #	GAGE BILT #	DESCRIPTION
120210-11	245611	REGULATOR
120210-2	245602	REGULATOR
120210-3	245603	REGULATOR
120210-4	245604	REGULATOR
120210-5	245605	REGULATOR
120210-6	245606	REGULATOR
120210-7	245607	REGULATOR
120210-8	245608	REGULATOR
120210-9	245609	REGULATOR
120633-1	12242-3	ANVIL HOLDER
120634-1	12241-3	ANVIL HOLDER
120636-1	12242-2	ANVIL HOLDER
120637-1	12241-4	ANVIL HOLDER
120643-1	16005	ANVIL ASS'Y - LB06
120781CH	18814	ANVIL ASS'Y-L48
120788CH	18812	ANVIL ASS'Y-N48
120793CH	18808	ANVIL ASS'Y-L45
120794CH	18810	ANVIL ASS'Y-N45
120820CH	18813	ANVIL ASS'Y-L23
120821CH	18807	ANVIL ASS'Y-L20
120822CH	18811	ANVIL ASS'Y-N23
120951CH	16614	ANVIL ASS'Y-N23
120952CH	16615	ANVIL ASS'YN48
120955CH	11024	ANVIL ASS'Y-N
120956CH	11025	ANVIL ASS'Y-N
121277CH	16609	ANVIL ASS'Y-N45
121278CH	16608	ANVIL ASS'Y-NRD
121565CH	10578	ANVIL ASS'Y N
121568CH	10574	ANVIL ASS'Y N20
121571CH	10579	ANVIL ASS'Y N
121573CH	10575	ANVIL ASS'Y N45
121589CH	10576	ANVIL ASS'Y N
121593CH	10577	ANVIL ASS'Y N
121699CH	10572	ANVIL ASS'Y L20
121701CH	10573	ANVIL ASS'Y L45
121713CH	16610	ANVIL ASS'Y-L20
121715CH	16611	ANVIL ASS'Y-L45
121720CH	16616	ANVIL ASS'Y-L23
121722CH	16617	ANVIL ASS'Y-L48
121733CH	11026	ANVIL ASS'Y-L
121735CH	11027	ANVIL ASS'Y-L
122145-3	751206	ADAPTER ASS'Y
122709-1	263029	PINTAIL EJECTOR
122769-1	262013	GLYD RING
122769-2	262413	GLYD RING
122769-3	262813	GLYD RING ASS'Y
122769-4	263013	GLYD RING ASS'Y
123437-1	730715	ADAPTER ASS'Y
123749-2	505034	HYDRAULIC HOSE
124333-2	756142	ACTUATOR
124434-1	263020	HEX KEY
124609-2	12241-1	ANVIL HOLDER
124610-1	16679	ANVIL ASS'Y - MG06-722-50L2
124611-2	12241-2	ANVIL HOLDER

For items not listed, contact Gage Bilt

OTHER #	GAGE BILT #	DESCRIPTION
124612-1	18868	ANVIL ASS'Y - MG08-722-50L2
124874-3	248011-3	PISTON
124875-1	248010-4	PISTON ASS'Y
124875-3	248010-3	PISTON ASS'Y
124881-1	206119	HYD-HOSE
125445-04	10176-4	NOSE TIP
125445-05	10176-5	NOSE TIP
125445-06	10176-6	NOSE TIP
125445-08	10176-8	NOSE TIP
126107-1	585054	HYD HOSE ASS'Y
126107-2	A-1303	HOSE ASS'Y
126941-1	202123	GASKET (212)
126941-4	202505	GASKET (2025)
127308-1	756601	REGULATOR
127308-10	756608	REGULATOR
127308-11	756609	REGULATOR
127308-12	245609	REGULATOR
127308-13	756611	REGULATOR
127308-14	756612	REGULATOR
127308-15	756613	REGULATOR
127308-2	756602	REGULATOR
127308-3	756603	REGULATOR
127308-4	245603	REGULATOR
127308-5	756604	REGULATOR
127308-6	245605	REGULATOR
127308-7	756605	REGULATOR
127308-8	756606	REGULATOR
127308-9	756607	REGULATOR
128279-2	751206	ADAPTER ASS'Y
150K	GB150NK	HYD. HAND NUTSERT
15541-403	405371	SPRING
195A137	GB784RK-1	RIVETER KIT
2015V	GB703V	INSTALL TOOL VAC BOTT(SPECIFY RIVET)
2025 KIT	GB2025KS	SERVICE KIT
2025L	GB722L	INSTALLATION TOOL
202KIT	202KS	SERVICE KIT
206-375	GB206-500	INSTALLATION TOOL HYD
206-375KIT	206100	SERVICE KIT
206-500	GB206-500	INSTALLATION TOOL HYD
206-500-25	GB206-500/25	INSTALLATION TOOL HYD
208-500	GB208-500	INSTALLATION TOOL HYD
208-625	GB208-625	INSTALLATION TOOL HYD
208-625KIT	208100	SERVICE KIT
226A1-2	70630	DRAWBOLT
244KIT	244HKIT	SERVICE KIT
244OS	GB731OS/206	INSTALLATION TOOL
244OSX	GB731OS/206	INSTALLATION TOOL
245KIT	245000	SERVICE KIT
246KIT	246000	SERVICE KIT
2480KIT	2480KS	SERVICE KIT
2480L-2	GB2480L-2	HYDRAULIC TOOL
2480L-2	GBP2400L2	INSTALLATION TOOL HYD
255KIT	255HKIT	SERVICE KIT
2620 KIT	GB2620KS	SERVICE KIT

For items not listed, contact Gage Bilt

OTHER #	GAGE BILT #	DESCRIPTION
2620KIT	2620KS	SERVICE KIT
2620PT	GB2620PT	INSTALLATION TOOL HYD.
2620-PTKIT	GB2620PTKS	SERVICE KIT
2624 KIT	2624KS	SERVICE KIT
2628 KIT	GB2628KS	SERVICE KIT
2630 KIT	GB2630KS	SERVICE KIT
2637-3	15504	RATCHET PIN
2637-4	15503	RATCHET PIN
2637-5	15501	RATCHET PIN
2637-6	15502	RATCHET PIN
2639-5	15305	RATCHET PIN
2649-3	40320	FOLLOWER
2649-4	40453	FOLLOWER
2650-3	30314-S6	SUPER GRIP JAW ASS'Y
2650-4	30406	CHUCK JAW SET
2651-5	30503	CHUCK JAW SET
2651-8	30822	CHUCK JAW SET - BR
2652-3	30308	CHUCK JAW SET
2652-4	30420	CHUCK JAW SET
269B12	GB105093	GRIP GAGE
269C3	269G3	SELECT GAGE ASS'Y
269C5	GB105093	GRIP GAGE
2723-3	10303	ANVIL-INSERT
2723-4	10304	ANVIL-INSERT
2723-5	10305	ANVIL-INSERT
2723-6	10306	ANVIL-INSERT
2724-3	10153	ANVIL - DRIVING - 3A
2724-4	10154	ANVIL - DRIVING - 4A
2728-3	10333	ANVIL INSERT
2728-4	10334	ANVIL INSERT
352-51	GB731-51	INSTALLATION TOOL KIT
353-51	GBP353A-51	INSTALLATION TOOL KIT
353-53	GBP353A-53	INSTALLATION TOOL KIT
353-54	GBP353A-54	INSTALLATION TOOL KIT
353-78	GBP353-78	INSTALLATION TOOL KIT
500989	400989	RETAINING RING
508BB	GB508SB	INSTALLATION TOOL HYD
508GP	GB508NAS	INSTALLATION TOOL HYD
508LGP	GB508LGP	INSTALLATION TOOL HYD
508MG	GB508MG	INSTALLATION TOOL HYD
513-077	30601-1	CHUCK JAW SET
530A119-8	686148	AIR LINE ASSY
530A16	704113	PINTAIL DEFLECTOR
530A178	870154	SPRING
530A21-3	870162	WASHER
530A35	407164	SWIVEL
530A83-3	870203	PACKING PLUG WRENCH
563C35	30510	CHUCK JAW SET
582KIT	582000	SERVICE KIT
6138-2	40441	FOLLOWER
615A10	70522	EJECTOR PIN
615A14	70533	SLEEVE CAP
615A16	70515	TOGGLE SPACER
615A18	70514	RETURN BAND

For items not listed, contact Gage Bilt

OTHER #	GAGE BILT #	DESCRIPTION
615A19	70511	CAP SCREW
615A20	70523	EJECTOR SPRING
615A21	70531	RETURN SPRING
615A25	70532	LOCKNUT
615A26	70520	WASHER
615A27	20514	COLLET
615A33	70524	LIMIT PIN
615A37	70510	STEM STOP
615A38	70537	EJECTOR PIN
615A39	70521	SPRING
615A4	70530	LOCKNUT
615A41	70401	STEM STOP
615A43	70529	CLAMP RING
615A48	70313	STEM STOP
615B13	70513	SLEEVE-INNER
615B15-1	70518	SHIFT TOGGLE-LONG
615B15-3	70519	SHIFT TOGGLE-SHORT
615B2	70528	SHIFT CAP
615B28	70525	DRAWBOLT
615B3	70512	SHIFT SLEEVE
615B40-3	30306	CHUCK JAW SET
615B40-4	30407	CHUCK JAW SET
615B40-5	30512	CHUCK JAW SET
615B40-6	30611	CHUCK JAW SET
615B40-8	30812	CHUCK JAW SET
615B44-1	70526	SAFETY STOP
615B44-2	70527	SPACER
615B6-4	19404	ANVIL-INNER
615B6-5	19505	ANVIL-INNER
615B6-6	19605	ANVIL-INNER
615B6-8	19803	ANVIL-INNER
615C35-4	10432	ANVIL-OUTER
615C35-5	10533	ANVIL-OUTER
615C35-6	10651	ANVIL-OUTER
615C36-4	10433	ANVIL-OUTER
615C36-5	10532	ANVIL-OUTER
615C36-6	10652	ANVIL-OUTER
628-4	628-G4	SETTING GAGE
628-5	628-G5	SETTING GAGE
628-6	628-G6	SETTING GAGE
628-8	628-G8	SETTING GAGE
640A14	70534	SLEEVE CAP
640A30	70538	BACKUP PLATE
640A31	70539	EJECTOR SPRING
640B28	70535	DRAWBOLT
640B29	70536	DRAWBOLT
642A16	50410	JAW SPRING
642A64	70821	JAM NUT
670A20	704214	STEM CATCHER BAG
671A16	70104	JAM NUT
671A16	704109	HEAD CYLINDER ASS'Y
680A10	784124	PISTON SPRING
680A103	784101	NUT
680A105	784102	SPRING

For items not listed, contact Gage Bilt

OTHER #	GAGE BILT #	DESCRIPTION
680A111	784115	VALVE SPRING
680A112-1	784138	ADJUSTER RING
680A112-2	784140	ADJUSTER SPRING
680A113	784139	ADJUSTER KNOB
680A114	784202	SEAL GUIDE
680A152	20512	COLLET
680A15-2	70406	EJECTOR PIN
680A152-3	50502	COLLET LOCK
680A159	784159	STROKE SETTING GAGE
680A16-1	70405	EJECTOR PIN
680A16-3	70404	EJECTOR PIN
680A173	784204	SOCKET WRENCH
680A21	784107	PISTON STOP
680A25	50501	RETAINER
680A26	50506	SPRING
680A29	70407	STOP
680A30-1	70402	PUSHER
680A30-2	70403	PUSHER
680A308	784130	RELEASE PISTON ASS'Y
680A40	784118	VALVE ASSY
680A48/49	784201	CLAMP WRENCH
680A56	50504	SPRING
680A92	784136	INDEX WASHER
680A95	784128	SHIFT SCREW
680B151	784112	PISTON
680B201	70409	COLLET ADAPTER
680B205	784704	ADAPTER ASS'Y
680B46	784715	ADAPTER ASS'Y
680B57	784740	ADAPTER
680B93	784132	REAR CAP
680B98	784103	FRONT CAP
680B99	784108	PISTON CAP
680C3	784125	SHIFT PISTON
681A4	40507	TUBE
681B5-3	19301	ANVIL-INNER
681B5-4	19403	ANVIL-INNER
681B5-5	19504	ANVIL-INNER
681B5-6	19604	ANVIL-INNER
681B5-8	19802	ANVIL-INNER
681C6-3C	10341	ANVIL-OUTER
681C6-4C	10416	ANVIL-OUTER
681C6-5C	10528	ANVIL-OUTER
681C6-6C	10647	ANVIL-OUTER
681C6-8C	10865	ANVIL-OUTER
681C7-3U	10339	ANVIL-OUTER
681C7-4U	10415	ANVIL-OUTER
681C7-5U	10527	ANVIL-OUTER
681C7-6U	10646	ANVIL-OUTER
681C7-8U	10864	ANVIL-OUTER
690A20	50408	SPRING
700-211	830102	BAYONET ADAPTER ASSY
7003-001	400777	O'RING
7003-0042	400776	O'RING
7003-0100	400784	O'RING

For items not listed, contact Gage Bilt

OTHER #	GAGE BILT #	DESCRIPTION
700A115	704121	AIR PISTON ASS'Y
700A123	401086	BACK-UP RING
700A15	703142	VALVE SPOOL
700A16	704145	VALVE PLUG
700A17	704146	MUFFLER
700A22	704129	GASKET
700A60	704152	SEAL GUIDE
700A61	704149	PISTON ROD WRENCH
700A62	704151	PWR CYLINDER TOOL ASS'Y
700A63	784203	SHIFT PISTON TOOL
700A67	704141	SPRING
700A77	704153	AIR BLEEDER
700A87	704159	KNOB
700A88	704158	SLEEVE
700A89	704157	BLOCK
700A90	704154	THUMB SCREW ASS'Y
700A94	703142	VALVE SPOOL
700B109	704229	BASE PLATE
700B4	704124	HANDLE BASE
700B6	704121	AIR PISTON ASS'Y
700B65	704150	PACKING PLUG WRENCH
700B73	703139	VALVE SLEEVE
700B84-1	704160	BOTTLE
700B84-2	704161	CAP AND BOTTLE ASSY
700B93	704118	PACKING PLUG
700B94	704143	VALVE SPOOL ASS'Y
700B96	704140	VALVE SLEEVE
700C106	704121	AIR PISTON ASS'Y
700D107	704229	BASE PLATE
701A33	70108	BUMPER
701B18	30513	CHUCK JAW SET
701B21	70103	SLEEVE
701B24	70102	STEM STOP
701B25	70101	RETAINING RING
701B29A	70105	COLLET
702A20	20532	COLLET
702B19	10747	ANVIL HOLDER
703A13	703116	DEFLECTOR FITTING
703A25-6TA	10209	NOSE TIP
703A33	704130	ACTUATOR LEVER ASS'Y
703A5	703112	SEAL TUBE
703A8	20518	COLLET
703B3	703207	PISTON - 703
703B4	703114	END CAP
703B7	10757	ANVIL HOLDER
704A10	70424	COLLET ADAPTER
704A11	70425	ANVIL ADAPTER
704A12-12	704012	EXTENSION ASS'Y-12"
704A12-2	704002	EXTENSION ASS'Y-2"
704A12-4	704004	EXTENSION ASS'Y-4"
704A12-6	704006	EXTENSION ASS'Y-6"
704A15	70415	TUBE
704A47-3	704304	CABLE WRAP
704A48-3	704305	FLEXIBLE TUBING

For items not listed, contact Gage Bilt

OTHER #	GAGE BILT #	DESCRIPTION
704A48-8	704311	TUBING - FLEXIBLE
704A6	704003	ADAPTER ASS'Y
704A7	704008	COLLET ADAPTER
704A9	704001	ADAPTER ASS'Y
704B13-2	70420	DRAWBOLT EXTENSION
704B13-4	70421	DRAWBOLT EXTENSION
704B14-2	70416	SLEEVE EXTENSION
704B14-4	70417	SLEEVE EXTENSION
704B16-6	70422	DRAWBOLT EXTENSION
704B17-6	70418	SLEEVE EXTENSION
704B2-2	704101	NOSE FITTING
704B4	704112	CAP
704B8	704007	ANVIL ADAPTER
704BR	GB704SMLS	INSTALLATION TOOL HYD
704C49	704300	HOSE ADAPTER KIT - 3"
704MGP	GB704MGP	INSTALLATION TOOL HYD
704MLGP	GB704MLGP	INSTALLATION TOOL HYD
705ABB	GB705ASB	INSTALLATION TOOL HYD
705ALGP	GB705ALGP	INSTALLATION TOOL HYD
705BB	GB705SB	INSTALLATION TOOL HYD
705BR	GB705SMLS	INSTALLATION TOOL HYD
705GP	GB705NAS	INSTALLATION TOOL HYD
705LGP	GB705LGP	INSTALLATION TOOL HYD
705MGP	GB705MGP	INSTALLATION TOOL HYD
705MLGP	GB705MLGP	INSTALLATION TOOL HYD
706ABB	GB706ASB	INSTALLATION TOOL HYD
706ALGP	GB706ALGP	INSTALLATION TOOL HYD
706BB	GB706SB	INSTALLATION TOOL HYD
706BR	GB706SMLS	INSTALLATION TOOL HYD
706GP	GB706NAS	INSTALLATION TOOL HYD
706LGP	GB706LGP	INSTALLATION TOOL HYD
706MG	GB706MG	INSTALLATION TOOL HYD
706MGP	GB706MGP	INSTALLATION TOOL HYD
706MLGP	GB706MLGP	INSTALLATION TOOL HYD
708 KIT	708KS	SERVICE
708ABB	GB708ASB	INSTALLATION TOOL HYD
708ALGP	GB708ALGP	INSTALLATION TOOL HYD
708BB	GB708SB	INSTALLATION TOOL HYD
708BR	GB708SMLS	INSTALLATION TOOLHYD
708GP	GB708NAS	INSTALLATION TOOL HYD
708LGP	GB708LGP	INSTALLATION TOOL HYD
708MG	GB708MG	INSTALLATION TOOL HYD
710BB	GB510SB	INSTALLATION TOOL HYD
710GP	GB510NAS	INSTALLATION TOOL HYD
710MG	GB510MG	INSTALLATION TOOL HYD
711A7	40301	FOLLOWER
711A8	50309	SPRING- RATCHET PIN
711A9	50302	RETAINING RING
711B4	20401	COLLET
711B6-3	30314-S6	SUPER GRIP JAW ASS'Y
711B6-4	30406	CHUCK JAW SET
712A10-1	15504	RATCHET PIN
712A10-2	15501	RATCHET PIN
712BB	GB512SB	INSTALLATION TOOL HYD

For items not listed, contact Gage Bilt

OTHER #	GAGE BILT #	DESCRIPTION
712GP	GB512NAS	INSTALLATION TOOL HYD
712LGP	GB512LGP	INSTALLATION TOOL HYD
712MG	GB512MG	INSTALLATION TOOL HYD
715B34	715101	NOSE FITTING
715B43	715111	CAP
728A9-104	10203	NOSE TIP
728A9-3	10247	NOSE TIP
728A9-3Z	10201	NOSE TIP
728A9-4	10202	NOSE TIP
728B4	30617	CHUCK JAW SET
732A8	50507	SPRING
740A15	743142	VALVE SPOOL
740A17	744143	MUFFLER
740A18	744144	SPRING
740A43	704151	PWR CYLINDER TOOL ASS'Y
740A44	744140	VALVE SPOOL ASS'Y
740A8	744136	PWR PISTON & ROD ASS'Y
740B13	744118	PACKING PLUG
740B14	743144	VALVE SLEEVE
740B16	744142	VALVE PLUG
740B46	744138	VALVE SLEEVE
740B6	744121	AIR PISTON ASS'Y
743A11	744130	HANDLE ASS'Y
743A13-8Z	40806	FOLLOWER
743A14-8Z	60808	TUBE
743A18	70820	JAM NUT
743A50	703002	EXTENSION 2"
743A7-5C6Z	10204	NOSE TIP
743A7-8Z	10211	NOSE TIP
743A8-8Z	40605	FOLLOWER
743A9	20836	COLLET
743A95	50813	CUSHION
743B32A	10213	NOSE TIP
743B35	10210	NOSE TIP
743B54	30824	CHUCK JAW SET
743B6	10935	ANVIL HOLDER
743B91	10951	ANVIL HOLDER
743B92	20867	COLLET
743B93	40831	FOLLOWER
743B94	40842	FOLLOWER
743C2	743108	HEAD CYLINDER ASS'Y -B-
743C51	10262	NOSE TIP - KT08
743C53	10263	NOSE TIP - KT06
743C55	30856	CHUCK JAW SET
744-700	206751	ADAPTER ASS'Y
744-701	206761	ANVIL ADAPTER
744-702	206762	DRAWBOLT
744-703	206760	LOCKNUT
744A12A	20842	COLLET
744A13	40807	FOLLOWER
744A13A	40807	FOLLOWER
744A20	744704	ADAPTER ASSY
744B11	10869	ANVIL-OUTER- M
744B7	744101	NOSE FITTING

For items not listed, contact Gage Bilt

OTHER #	GAGE BILT #	DESCRIPTION
744C75	30510	CHUCK JAW SET
744KS	744016	SERVICE KIT
747-009	711110	PISTON
7498-1101	10246	NOSE TIP
749A25	70413	COLLET BOLT
749A27	70414	STEM STOP
749A28	10425	ANVIL-INSERT
749B26	10342	SLEEVE-OUTER
753A10	75317	PIVOT PIN
753A11	75321	GUIDE PIN
753A13	20513	COLLET
753A13A	20513	COLLET
753A14A	40506	FOLLOWER
753A15	70408	STEM STOP
753A16	75316	GUARD
753A4	75311	SHOE BEARING
753A7	75322	DRAWBOLT
753B12	10420	SLEEVE ASS'Y
753B3	70486	COLLET DRAWBOLT
753B5	75313	LEVER
753B6	75320	BELLCRANK
753B8	75323	ADAPTER FITTING
753B9	75319	LINK PIN
753C2-3	75310	FRAME
763A10	400615	ROLL PIN
763A10	400615	SLOTTED PIN
763A6	76302	DOWEL PIN
763A7	76311	FRAME ADAPTER
763B9/118282	76305	GUARD
763C3	76307	DRAWBOLT
763D2	76309	FRAME
781A10	78103	ROLL PIN
781B4	78104	JAW
781B6	78110	DRAWBOLT ADAPTER
781C3	78207	DRAWBOLT
781C5	78201	SADDLE
783-054	40458	FOLLOWER
783-057	782001	GUARD
784C2	784122	HEAD CYLINDER
784C3	784100	HEAD ASS'Y
828A10	40854	FOLLOWER
828A12	50424	SPRING
828B4	70846	BELLCRANK
836B10	704172	VALVE SPRING TOOL ASS'Y
836B700	704262	VALVE SPR INSTALL TOOL
837B10	704173	VALVE SPRING TOOL ASS'Y
837B700	704163	VALVE PULLER
837B740	744152	VALVE PULLER TOOL
83R-500	NAS10-208C-31	NOSE ASS'Y - OFFSET
83R-550	LGP10-208C-31	NOSE ASS'Y
846A12	20403	COLLET
846A23	40403	FOLLOWER ASS'Y
846B8	10436	SLEEVE
9015-50	20401	COLLET

For items not listed, contact Gage Bilt

OTHER #	GAGE BILT #	DESCRIPTION
9015-60-3	30314-S6	SUPER GRIP JAW ASS'Y
9015-60-4	30406	CHUCK JAW SET
9015-8	40301	FOLLOWER
9015-9	50301	SPRING
91000-SP	NAS06-2480-20	NOSE ASS'Y
940-12	GB940-12	POWERUNIT & 12' HOSE ASS'Y - ELECTRIC ***NOT CE CERTIFIED***
940-220	GB940-220	HYDRAULIC POWERUNIT - ELECTRIC/220V ***NOT CE CERTIFIED***
940-26	GB940-26	POWERUNIT & 26' HOSE ASS'Y - ELECTRIC ***NOT CE CERTIFIED***
940-38	GB940-38	POWERUNIT & 36' HOSE ASS'Y - ELECTRIC ***NOT CE CERTIFIED***
940-52	GB940-52	POWERUNIT & 52' HOSE ASS'Y - ELECTRIC ***NOT CE CERTIFIED***
955-015	20334	COLLET
955-017	13461	ANVIL HOLDER
99-100	LB12-756-26	NOSE ASS'Y
99-1001	28-2630-70	NOSE ASS'Y
99-100-245	LB12-756-26	NOSE ASS'Y
99-1013	MLS04-200B-20	NOSE ASS'Y
99-1023	SMLS05-352B-25	NOSE ASS'Y
99-1024	SMLS06-352B-25	NOSE ASS'Y
99-1024	SMLS06-752B-20	NOSE ASS'Y
99-1046	SB06-752B-80	NOSE ASS'Y
99-1056	SMLS06-752B-20	NOSE ASS'Y
99-1061	SMLS04-715B-43	NOSE ASS'Y
99-1062	SMLS05-715B-43	NOSE ASS'Y
99-1063	SMLS06-715B-43	NOSE ASS'Y
99-1097	SMLS04-715A-40OS	NOSE ASS'Y - OFFSET
99-1098	SMLS05-715A-40OS	NOSE ASS'Y - OFFSET
99-1099	SMLS06-715A-40OS	NOSE ASS'Y - OFFSET
99-1100	SMLS04-715B-44RA	NOSE ASS'Y - RT. ANGLE
99-1100U	UBR04-715B-44RA	NOSE ASS'Y - RT. ANGLE
99-1101	SMLS05-715B-44RA	NOSE ASS'Y - RT. ANGLE
99-1101U	UBR05-715B-44RA	NOSE ASS'Y - RT. ANGLE
99-1102	SMLS06-715B-44RA	NOSE ASS'Y - RT. ANGLE
99-1102U	UBR06-715B-44RA	NOSE ASS'Y - RT. ANGLE
99-1272	BOM12-756A-26	NOSE ASS'Y ***REPAIR ONLY***
99-1288	MG08-722-20	NOSE ASS'Y
99-1311	SMLS08-755-23	NOSE ASS'Y
99-1313	SMLS08-713-20	NOSE ASS'Y
99-1333	456MAX-704-43OS	NOSE ASS'Y - OFFSET
99-1334	456MAX-704-54RA	NOSE ASS'Y - RT. ANGLE
99-1335	456MAX-749-35	NOSE ASS'Y
99-1336	456MAX-704-40OS	NOSE ASS'Y - OFFSET
99-1427	NAS08-2581-48	NOSE ASS'Y
99-1439	MG10-756-28	NOSE ASS'Y
99-1440	MG12-756-28	NOSE ASS'Y
99-1452	MGL06-743-24	NOSE ASS'Y
99-1456	MG06-722-20	NOSE ASS'Y
99-1456-1	MG06-713-46F	NOSE ASS'Y
99-1458	MG08-722-20	NOSE ASS'Y
99-1458-1	MG08-713-46F	NOSE ASS'Y
99-1479	456MAX-701-17	NOSE ASS'Y
99-1495	MGL12-353C-28	NOSE ASS'Y
99-1501	LGP05-209A-11	NOSE ASS'Y
99-1503	LGP06-209A-11	NOSE ASS'Y
99-1505	LGP08-209A-11	NOSE ASS'Y

For items not listed, contact Gage Bilt

OTHER #	GAGE BILT #	DESCRIPTION
99-1513	SB05-209A-03	NOSE ASS'Y
99-1514	SB06-209A-03	NOSE ASS'Y
99-1516	SMLS04-209A-03	NOSE ASS'Y
99-1517	SMLS05-209A-03	NOSE ASS'Y
99-1518	SMLS06-209A-03	NOSE ASS'Y
99-1519	SMLS08-209A-03	NOSE ASS'Y
99-1520	SB05-209-11	NOSE ASS'Y
99-1521	SB06-209A-11	NOSE ASS'Y
99-1522	SB08-209A-11	NOSE ASS'Y
99-1556	MLGP6-209A-03	NOSE ASS'Y
99-1562	MLGP8-209A-03	NOSE ASS'Y
99-1574	LGP10-209-11	NOSE ASS'Y
99-1600	NASS05-2581-12	NOSE ASS'Y
99-1603	NAS06-2581-12	NOSE ASS'Y
99-1606	NAS08-745B-12	NOSE ASS'Y
99-1616	MGP4-2581-23	NOSE ASS'Y
99-1617	MGP4-2581-48	NOSE ASS'Y
99-1700	LGP05-206G-25OS	NOSE ASS'Y - OFFSET
99-1700-1	LGP05-206G-34OS	NOSE ASS'Y - OFFSET
99-1701	LGP06-206G-25OS	NOSE ASS'Y - OFFSET
99-1701-1	LGP06-206G-34OS	NOSE ASS'Y - OFFSET
99-1702	LGP08-206G-25OS	NOSE ASS'Y - OFFSET
99-1702-1	LGP08-206G-34OS	NOSE ASS'Y - OFFSET
99-1703S	NASS05-206G-25O	NOSE ASS'Y - OFFSET
99-1703S-1	NASS05-206G-34O	NOSE ASS'Y - OFFSET
99-1703T	NAST05-206G-25O	NOSE ASS'Y - OFFSET
99-1703T-1	NAST05-206G-34O	NOSE ASS'Y - OFFSET
99-1704	NAS06-206G-25OS	NOSE ASS'Y - OFFSET
99-1704-1	NAS06-206G-34OS	NOSE ASS'Y - OFFSET
99-1705	NAS08-206G-25OS	NOSE ASS'Y - OFFSET
99-1705-1	NAS08-206G-34OS	NOSE ASS'Y - OFFSET
99-1706	MGP4-206G-25OS	NOSE ASS'Y - OFFSET
99-1706-1	MGP4-206G-34OS	NOSE ASS'Y - OFFSET
99-1707	MGP5-206G-25OS	NOSE ASS'Y - OFFSET
99-1707-1	MGP5-206G-34OS	NOSE ASS'Y - OFFSET
99-1708	MGP6-206G-25OS	NOSE ASS'Y - OFFSET
99-1708-1	MGP6-206G-34OS	NOSE ASS'Y - OFFSET
99-1709	MLGP4-206G-25OS	NOSE ASS'Y - OFFSET
99-1709-1	MLGP4-206G-34OS	NOSE ASS'Y - OFFSET
99-1710	MLGP5-206G-25OS	NOSE ASS'Y - OFFSET
99-1710-1	MLGP5-206G-34OS	NOSE ASS'Y - OFFSET
99-1711	MLGP6-206G-25OS	NOSE ASS'Y - OFFSET
99-1711-1	MLGP6-206G-34OS	NOSE ASS'Y - OFFSET
99-1712	SB05-206H-27OS	NOSE ASS'Y - OFFSET
99-1712-1	SB05-206H-37OS	NOSE ASS'Y - OFFSET
99-1713	SB06-206H-27OS	NOSE ASS'Y - OFFSET
99-1713-1	SB06-206H-37OS	NOSE ASS'Y - OFFSET
99-1714	SB08-206H-27OS	NOSE ASS'Y - OFFSET
99-1714-1	SB08-206H-37OS	NOSE ASS'Y - OFFSET
99-1715	SMLS04-206H-27OS	NOSE ASS'Y - OFFSET
99-1715-1	SMLS04-206H-37OS	NOSE ASS'Y - OFFSET
99-1716	SMLS05-206H-27OS	NOSE ASS'Y - OFFSET
99-1716-1	SMLS05-206H-37OS	NOSE ASS'Y - OFFSET
99-1717	SMLS06-206H-27OS	NOSE ASS'Y - OFFSET

For items not listed, contact Gage Bilt

OTHER #	GAGE BILT #	DESCRIPTION
99-1717-1	SMLS06-206H-37OS	NOSE ASS'Y - OFFSET
99-1718	SMLS08-206H-27OS	NOSE ASS'Y - OFFSET
99-1718-1	SMLS08-206H-37OS	NOSE ASS'Y - OFFSET
99-1719	LGP10-208C-31	NOSE ASS'Y
99-1719DG	LGP10-208C-31	NOSE ASS'Y
99-1720	NAS10-208C-31	NOSE ASS'Y - OFFSET
99-1721	MLGP8-208B-31	NOSE ASS'Y
99-1722	MGP8-208A-31	NOSE ASS'Y
99-1723	LGP12-208A-31	NOSE ASS'Y
99-1724	NAS12-208A-31	NOSE ASS'Y - OFFSET
99-1725	MLGP10-208A-31	NOSE ASS'Y
99-1728	ASP06-206H-27OS	NOSE ASS'Y - OFFSET
99-1728-1	ASP06-206H-37OS	NOSE ASS'Y - OFFSET
99-1729	ASP08-206H-27OS	NOSE ASS'Y - OFFSET
99-1729-1	ASP08-206H-37OS	NOSE ASS'Y - OFFSET
99-1730	ASP10-206H-27OS	NOSE ASS'Y - OFFSET
99-1730-1	ASP10-206H-37OS	NOSE ASS'Y - OFFSET
99-1733	LGP05-206G-30OS	NOSE ASS'Y - OFFSET
99-1734	LGP06-206H-30OS	NOSE ASS'Y - OFFSET
99-1735	LGP08-206G-30OS	NOSE ASS'Y - OFFSET
99-1736	LGP10-208A-34	NOSE ASS'Y
99-1738S	NASS05-206G-30O	NOSE ASS'Y - OFFSET
99-1738T	NAST05-206G-30O	NOSE ASS'Y - OFFSET
99-1739	NAS06-206H-30OS	NOSE ASS'Y - OFFSET
99-1740	NAS08-206H-30OS	NOSE ASS'Y - OFFSET
99-1754	LGP12-208A-31	NOSE ASS'Y
99-1754DG	LGP12-208A-31	NOSE ASS'Y
99-1783	LGP10-756-50OS	NOSE ASS'Y
99-1789	LGP10-756-50OS	NOSE ASS'Y
99-1824	LGP07-713-21PI	NOSE ASSY-PULL-IN
99-1824-1	LGP07-713-43PI	NOSE ASSY-PULL-IN
99-1825	LGP05-713-21PI	NOSE ASSY-PULL-IN
99-1825-1	LGP05-713-43PI	NOSE ASSY-PULL-IN
99-1826	LGP06-713-21PI	NOSE ASSY-PULL-IN
99-1826-1	LGP06-713-43PI	NOSE ASSY-PULL-IN
99-1827	LGP08-713-21PI	NOSE ASSY-PULL-IN
99-1827-1	LGP08-713-43PI	NOSE ASSY-PULL-IN
99-1828	LGP05-745-24PI	NOSE ASSY-PULL-IN
99-1828-1	LGP05-745-47PI	NOSE ASSY-PULL-IN
99-1829	LGP06-745-24PI	NOSE ASSY-PULL-IN
99-1829-1	LGP06-745-47PI	NOSE ASSY-PULL-IN
99-1830	LGP08-745-24PI	NOSE ASSY-PULL-IN
99-1830-1	LGP08-745-47PI	NOSE ASSY-PULL-IN
99-1831	LGP10-745-24PI	NOSE ASSY-PULL-IN
99-1831-1	LGP10-745-47PI	NOSE ASSY-PULL-IN
99-1832	LGP12-745-24PI	NOSE ASSY-PULL-IN
99-1832-1	LGP12-745-47PI	NOSE ASSY-PULL-IN
99-2500	LGP05-2480-10	NOSE ASS'Y
99-2501	LGP05-2480-20	NOSE ASS'Y
99-2501CH	LGP05-2480-20CN	NOSE ASS'Y
99-2502	LGP05-2480-45	NOSE ASS'Y
99-2502CH	LGP05-2480-45CN	NOSE ASS'Y
99-2504	LGP05-2581-23	NOSE ASS'Y
99-2504CH	LGP05-2581-23CN	NOSE ASS'Y

For items not listed, contact Gage Bilt

OTHER #	GAGE BILT #	DESCRIPTION
99-2505	LGP05-2581-48	NOSE ASS'Y
99-2505CH	LGP05-2581-48CN	NOSE ASS'Y
99-2506	LGP06-2480-10	NOSE ASS'Y
99-2507	LGP06-2480-20	NOSE ASS'Y
99-2507CH	LGP06-2480-20CN	NOSE ASS'Y
99-2508	LGP06-2480-45	NOSE ASS'Y
99-2508CH	LGP06-2480-45CN	NOSE ASS'Y
99-2509	LGP06-745B-12	NOSE ASS'Y
99-2510	LGP06-2581-23	NOSE ASS'Y
99-2510CH	LGP06-2581-23CN	NOSE ASS'Y
99-2511	LGP06-2581-48	NOSE ASS'Y
99-2511CH	LGP06-2581-48CN	NOSE ASS'Y
99-2512	LGP08-2480-10	NOSE ASS'Y
99-2513	LGP08-2480-20	NOSE ASS'Y
99-2513CH	LGP08-2480-20CN	NOSE ASS'Y
99-2514	LGP08-2480-45	NOSE ASS'Y
99-2514CH	LGP08-2480-45CN	NOSE ASS'Y
99-2515	LGP08-745B-12	NOSE ASS'Y
99-2516	LGP08-2581-23	NOSE ASS'Y
99-2516CH	LGP08-2581-23CN	NOSE ASS'Y
99-2517	LGP08-2581-48	NOSE ASS'Y
99-2517CH	LGP08-2581-48CN	NOSE ASS'Y
99-2518	LGP10-2581-12	NOSE ASS'Y
99-2519	LGP10-2581-23	NOSE ASS'Y
99-2519CH	LGP10-2581-23CN	NOSE ASS'Y
99-2520	LGP10-2581-48	NOSE ASS'Y
99-2520CH	LGP10-2581-48CN	NOSE ASS'Y
99-2521	LGP12-745B-12	NOSE ASS'Y
99-2522	LGP12-756-26	NOSE ASS'Y
99-2522CH	LGP12-756-26CN	NOSE ASS'Y
99-2523	LGP12-756-48	NOSE ASS'Y
99-2523CH	LGP12-756-48CN	NOSE ASS'Y
99-2524	MLGP4-731-10	NOSE ASS'Y
99-2525	MLGP4-2480-20	NOSE ASS'Y
99-2526	MLGP4-2480-45	NOSE ASS'Y
99-2527	MLGP4-755-12	NOSE ASS'Y
99-2528	MLGP4-2581-23	NOSE ASS'Y
99-2529	MLGP4-2581-48	NOSE ASS'Y
99-2530	MLGP5-731-10	NOSE ASS'Y
99-2531	MLGP5-2480-20	NOSE ASS'Y
99-2532	MLGP5-2480-45	NOSE ASS'Y
99-2533	MLGP5-755-12	NOSE ASS'Y
99-2534	MLGP5-2581-23	NOSE ASS'Y
99-2535	MLGP5-2581-48	NOSE ASS'Y
99-2536	MLGP6-731-10	NOSE ASS'Y
99-2537	MLGP6-2480-20	NOSE ASS'Y
99-2538	MLGP6-2480-45	NOSE ASS'Y
99-2539	MLGP6-745B-12	NOSE ASS'Y
99-2540	MLGP6-2581-23	NOSE ASS'Y
99-2541	MLGP6-2581-48	NOSE ASS'Y
99-2543	MLGP8-756-26	NOSE ASS'Y
99-2546	MLGP10-756-26	NOSE ASS'Y
99-2548S	NASS05-731-10	NOSE ASS'Y
99-2548T	NAST05-730B-10	NOSE ASS'Y

For items not listed, contact Gage Bilt

OTHER #	GAGE BILT #	DESCRIPTION
99-2549S	NASS05-2480-20	NOSE ASS'Y
99-2549S	NASS05-2480-20	NOSE ASS'Y
99-2549SCH	NASS05-2480-20CN	NOSE ASS'Y
99-2549T	NAST05-2480-20	NOSE ASS'Y
99-2549TCH	NAST05-2480-20CN	NOSE ASS'Y
99-2550S	NASS05-2480-45	NOSE ASS'Y
99-2550SCH	NASS05-2480-45CN	NOSE ASS'Y
99-2550T	NAST05-2480-45	NOSE ASS'Y
99-2550TCH	NAST05-2480-45CN	NOSE ASS'Y
99-2551S	NASS05-2581-12	NOSE ASS'Y
99-2551T	NAST05-2581-12	NOSE ASS'Y
99-2552S	NASS05-2581-23	NOSE ASS'Y
99-2552SCH	NASS05-2581-23CN	NOSE ASS'Y
99-2552T	NAST05-2581-23	NOSE ASS'Y
99-2553S	NASS05-2581-48	NOSE ASS'Y
99-2553SCH	NASS05-2581-48CN	NOSE ASS'Y
99-2553T	NAST05-2581-48	NOSE ASS'Y
99-2554	NAS06-730B-10	NOSE ASS'Y
99-2555	NAS06-2480-20	NOSE ASS'Y
99-2555CH	NAS06-2480-20CN	NOSE ASS'Y
99-2556	NAS06-2480-45	NOSE ASS'Y
99-2556CH	NAS06-2480-45CN	NOSE ASS'Y
99-2557	NAS06-2581-12	NOSE ASS'Y
99-2558	NAS06-2581-23	NOSE ASS'Y
99-2558CH	NAS06-2581-23CN	NOSE ASS'Y
99-2559	NAS06-2581-48	NOSE ASS'Y
99-2559CH	NAS06-2581-48CN	NOSE ASS'Y
99-2560	NAS08-730B-10	NOSE ASS'Y
99-2561	NAS08-2480-20	NOSE ASS'Y
99-2561CH	NAS08-2480-20CN	NOSE ASS'Y
99-2562	NAS08-2480-45	NOSE ASS'Y
99-2562CH	NAS08-2480-45CN	NOSE ASS'Y
99-2563	NAS08-745B-12	NOSE ASS'Y
99-2564	NAS08-2581-23	NOSE ASS'Y
99-2564CH	NAS08-2581-23CN	NOSE ASS'Y
99-2565	NAS08-2581-48	NOSE ASS'Y
99-2565CH	NAS08-2581-48CN	NOSE ASS'Y
99-2566	NAS10-745B-12	NOSE ASS'Y
99-2568CH	NAS10-756-48CN	NOSE ASS'Y
99-2569	NAS12-745B-12	NOSE ASS'Y
99-2570	NAS12-756-26	NOSE ASS'Y
99-2570CH	NAS12-756-26CN	NOSE ASS'Y
99-2571	NAS12-756-48	NOSE ASS'Y
99-2571CH	NAS12-756-48CN	NOSE ASS'Y
99-2572	MGP4-731-10	NOSE ASS'Y
99-2573	MGP4-2480-20	NOSE ASS'Y
99-2574	MGP4-2480-45	NOSE ASS'Y
99-2576	MGP4-2581-23	NOSE ASS'Y
99-2576CH	MGP4-2581-23CN	NOSE ASS'Y
99-2577	MGP4-2581-48	NOSE ASS'Y
99-2577CH	MGP4-2581-48CN	NOSE ASS'Y
99-2578	MGP5-731-10	NOSE ASS'Y
99-2579	MGP5-2480-20	NOSE ASS'Y
99-2580	MGP5-2480-45	NOSE ASS'Y

For items not listed, contact Gage Bilt

OTHER #	GAGE BILT #	DESCRIPTION
99-2582	MGP5-2581-23	NOSE ASS'Y
99-2583	MGP5-2581-48	NOSE ASS'Y
99-2584	MGP6-731-10	NOSE ASS'Y
99-2585	MGP6-2480-20	NOSE ASS'Y
99-2586	MGP6-2480-45	NOSE ASS'Y
99-2588	MGP6-2581-23	NOSE ASS'Y
99-2589	MGP6-2581-48	NOSE ASS'Y
99-2591	MGP8-756-26	NOSE ASS'Y
99-2594	MGP10-756-26	NOSE ASS'Y
99-2642	ASP06-752C-20	NOSE ASS'Y
99-2643	ASP06-752C-45	NOSE ASS'Y
99-2645	ASP08-752B-20	NOSE ASS'Y
99-2646	ASP08-752B-45	NOSE ASS'Y
99-2648	ASP10-713-20	NOSE ASS'Y
99-2648	ASP10-755-23	NOSE ASS'Y
99-2649	ASP10-755-48	NOSE ASS'Y
99-2651	NAS04-730-20	NOSE ASS'Y
99-2657	LGP14-2600-30	NOSE ASS'Y
99-2675	LGP07-731-20	NOSE ASS'Y
99-2700	SB05-752B-10	NOSE ASS'Y
99-2701	SB05-752C-20	NOSE ASS'Y
99-2701W	UBB05-752C-20	NOSE ASS'Y
99-2702	SB05-752C-45	NOSE ASS'Y
99-2702W	UBB05-752C-45	NOSE ASS'Y
99-2703	SB05-745-12	NOSE ASS'Y
99-2704	SB05-745C-23	NOSE ASS'Y
99-2705	SB05-745C-48	NOSE ASS'Y
99-2706	SB06-752B-10	NOSE ASS'Y
99-2707	SB06-752B-20	NOSE ASS'Y
99-2707W	UBB06-752B-20	NOSE ASS'Y
99-2708	SB06-752B-45	NOSE ASS'Y
99-2708W	UBB06-752B-45	NOSE ASS'Y
99-2709	SB06-745-12	NOSE ASS'Y
99-2710	SB06-745B-23	NOSE ASS'Y
99-2711	SB06-745B-48	NOSE ASS'Y
99-2713	SB08-713-20	NOSE ASS'Y - ALT
99-2714	SB08-713-45	NOSE ASS'Y
99-2716	SB08-755-23	NOSE ASS'Y
99-2717	SB08-755-48	NOSE ASS'Y
99-2719	SB10-756-28	NOSE ASS'Y
99-2719W	UBB10-756-28	NOSY ASS'Y
99-2720	SB10-756-48	NOSE ASS'Y
99-2722	SB12-756-28	NOSE ASS'Y
99-2722W	UBB12-756-28	NOSY ASS'Y
99-2723	SB12-756-48	NOSE ASS'Y
99-2724	SMLS04-752B-10	NOSE ASS'Y
99-2725	SMLS04-752C-20	NOSE ASS'Y
99-2725U	UBR04-752C-20	NOSE ASS'Y
99-2726	SMLS04-752C-45	NOSE ASS'Y - ALT
99-2726U	UBR04-752C-45	NOSE ASS'Y
99-2728	SMLS04-745C-23	NOSE ASS'Y - ALT
99-2729	SMLS04-745C-48	NOSE ASS'Y - ALT
99-2730	SMLS05-752B-10	NOSE ASS'Y
99-2731	SMLS05-752C-20	NOSE ASS'Y - ALT

For items not listed, contact Gage Bilt

OTHER #	GAGE BILT #	DESCRIPTION
99-2731U	UBR05-752C-20	NOSE ASS'Y
99-2732	SMLS05-752C-45	NOSE ASS'Y - ALT
99-2732U	UBR05-752C-45	NOSE ASS'Y
99-2734	SMLS05-745C-23	NOSE ASS'Y - ALT
99-2735	SMLS05-745C-48	NOSE ASS'Y - ALT
99-2736	SMLS06-752B-10	NOSE ASS'Y
99-2737	SMLS06-752B-20	NOSE ASS'Y
99-2737U	UBR06-752B-20	NOSE ASS'Y
99-2738	SMLS06-752B-45	NOSE ASS'Y
99-2740	SMLS06-745B-23	NOSE ASS'Y
99-2741	SMLS06-745B-48	NOSE ASS'Y
99-2743	SMLS08-713-20	NOSE ASS'Y
99-2743U	UBR08-713-20	NOSE ASS'Y
99-2744	SMLS08-713-45	NOSE ASS'Y
99-2745	SMLS08-745-12	NOSE ASS'Y
99-2746	SMLS08-755-23	NOSE ASS'Y
99-2747	SMLS08-755-48	NOSE ASS'Y
99-2782	UAB56-722-21	NOSE ASS'Y
99-2804T	NAST05-352A-20	NOSE ASS'Y
99-3003	LB06-722-20	NOSE ASS'Y
99-3003-1	MG06-722-46	NOSE ASSY -06 C6L D2 INSERT B
99-3004	LB06-722-60	NOSE ASS'Y
99-3006	LB08-722-20	NOSE ASS'Y
99-3007	LB08-722-60	NOSE ASS'Y
99-3007L	70876	COLLET EXTENSION
99-3007L	LB08-722-60L	NOSE ASS'Y
99-3009L	LB08-722-20L	NOSE ASS'Y
99-3200	MG06-722-10	NOSE ASS'Y
99-3201	MG06-722-20	NOSE ASS'Y
99-3201-1	MG06-722-46	NOSE ASS'Y
99-3201L	MG06-722-20L	NOSE ASS'Y
99-3201L2	MG06-722-50L2	NOSE ASS'Y
99-3202	MG06-722-60	NOSE ASS'Y
99-3204	MG08-722-20	NOSE ASS'Y
99-3204-1	MG08-722-46	NOSE ASS'Y
99-3204L	MG08-722-20L	NOSE ASS'Y
99-3204L2	MG08-722-50L2	NOSE ASS'Y
99-3205	MG08-722-60	NOSE ASS'Y
99-3206	MG06-745-48	NOSE ASS'Y
99-3207	MG08-745-48	NOSE ASS'Y
99-3212	MG08-712-20	NOSE ASS'Y
99-3213	MG06-712-20	NOSE ASS'Y
99-3300	MGL06-752A-21	NOSE ASS'Y
99-3301	MGL08-752A-21	NOSE ASS'Y
99-3303	MGL06-752A-21	NOSE ASS'Y
99-3303C	MGLC06-752A-21	NOSE ASS'Y
99-3303L	MGL06-752A-21L	NOSE ASS'Y
99-3304	MGL06-752A-61	NOSE ASS'Y
99-3304XL	MGL06-752A-61XL	NOSE ASS'Y
99-3305	MGL08-752A-21	NOSE ASS'Y
99-3305C	MGLC08-752A-21	NOSE ASS'Y
99-3305L	MGL08-752A-21L	NOSE ASS'Y
99-3305M	MB08-752A-21	NOSE ASS'Y
99-3306	MGL08-752A-61	NOSE ASS'Y

For items not listed, contact Gage Bilt

OTHER #	GAGE BILT #	DESCRIPTION
99-3306XL	MGL08-752A-61XL	NOSE ASS'Y
99-3307 (equiv)	MGL10-353-28	NOSE ASS'Y
99-3310F	6N-751-23	NOSE ASS'Y
99-3316-68	MGL68-752A-21	NOSE ASS'Y
99-3316-68	MGLC68-752A-21	NOSE ASS'Y
99-3318	MGL12-353C-28	NOSE ASS'Y
99-3320	HL08-713-25	435 NOSE ASSY, -08 MGL SPECIAL
99-3321-68	MGL68-752A-21	NOSE ASS'Y
99-335	OS10-756-26	NOSE ASS'Y
99-3422-3456	3456N-352-21	NOSE ASS'Y
99-3422-4	4N-751-23	NOSE ASS'Y
99-3422-5	5N-751-23	NOSE ASS'Y
99-3422-6	6N-751-23	NOSE ASS'Y
99-3423-3456	3456N-352-61	NOSE ASS'Y
99-3423-5	5N-352-61	NOSE ASS'Y
99-3423-6	6N-352-61	NOSE ASS'Y
99-3429	GS10-715-54RA	NOSE ASS'Y - RT. ANGLE - HVY. DUTY
99-3438	HT12-756-23	NOSE ASS'Y
99-3438	MGL12-353C-28	NOSE ASS'Y
99-3442	456MAX-701-17	NOSE ASS'Y
99-3442	456MAX-749-35	NOSE ASS'Y
99-3445-68	68N-352-21	NOSE ASS'Y
99-3445-8	8CN-713-21	NOSE ASS'Y
99-3445L-68	68N-352-61	NOSE ASS'Y
99-3452	FT10-353A-28	NOSE ASS'Y
99-3458-202	456UBR-751A-21	NOSE ASS'Y
99-3459-202	456UBR-751A-61	NOSE ASS'Y
99-3464	HT12-713-20	NOSE ASS'Y
99-3466	456MAX-731-43OS	NOSE ASS'Y
99-3467	456MAX-751D-54RA	NOSE ASS'Y - RT. ANGLE
99-3468	MGLC06-752-23	NOSE ASS'Y
99-3481	3A-352B-25	NOSE ASS'Y (ALTERNATE)
99-3481-1	4A-751-23	NOSE ASS'Y
99-3481-2	5A-751-23	NOSE ASS'Y
99-3482	UAB568-713-21	NOSE ASS'Y
99-3487	68N-713-21	NOSE ASS'Y
99-3700	LGP05-206G-25OS	NOSE ASS'Y - OFFSET
99-3700-1	LGP05-206G-34OS	NOSE ASS'Y - OFFSET
99-3701	LGP06-206G-25OS	NOSE ASS'Y - OFFSET
99-3701-1	LGP06-206G-34OS	NOSE ASS'Y - OFFSET
99-3702	LGP08-206G-25OS	NOSE ASS'Y - OFFSET
99-3702-1	LGP08-206G-34OS	NOSE ASS'Y - OFFSET
99-3703S	NASS05-206G-25O	NOSE ASS'Y - OFFSET
99-3703S-1	NASS05-206G-34O	NOSE ASS'Y - OFFSET
99-3703T	NAST05-206G-25O	NOSE ASS'Y - OFFSET
99-3703T-1	NAST05-206G-34O	NOSE ASS'Y - OFFSET
99-3703T-1C	NAST05-206G-34C	NOSE ASS'Y
99-3704	NAS06-206G-25OS	NOSE ASS'Y - OFFSET
99-3704-1	NAS06-206G-34OS	NOSE ASS'Y - OFFSET
99-3704-1C	NAS06-206G-34OC	NOSE ASS'Y - SPEC CLEARANCE
99-3705	NAS08-206G-25OS	NOSE ASS'Y - OFFSET
99-3705-1	NAS08-206G-34OS	NOSE ASS'Y - OFFSET
99-3706	MGP4-206G-25OS	NOSE ASS'Y - OFFSET
99-3706-1	MGP4-206G-34OS	NOSE ASS'Y - OFFSET

For items not listed, contact Gage Bilt

OTHER #	GAGE BILT #	DESCRIPTION
99-3706-1C	MGP4-206G-34OSC	NOSE ASS'Y - OFFSET
99-3706C	MGP4-206G-25OSC	NOSE ASS'Y - OFFSET
99-3707	MGP5-206G-25OS	NOSE ASS'Y - OFFSET
99-3707-1	MGP5-206G-34OS	NOSE ASS'Y - OFFSET
99-3707-1C	MGP5-206G-34OSC	NOSE ASS'Y - OFFSET
99-3707C	MGP5-206G-25OSC	NOSE ASS'Y - OFFSET
99-3708	MGP6-206G-25OS	NOSE ASS'Y - OFFSET
99-3708-1	MGP6-206G-34OS	NOSE ASS'Y - OFFSET
99-3708-1C	MGP6-206G-34OSC	NOSE ASS'Y - OFFSET
99-3708C	MGP6-206G-25OSC	NOSE ASS'Y - OFFSET
99-3709	MLGP4-206G-25OS	NOSE ASS'Y - OFFSET
99-3709-1	MLGP4-206G-34OS	NOSE ASS'Y - OFFSET
99-3710	MLGP5-206G-25OS	NOSE ASS'Y - OFFSET
99-3710-1	MLGP5-206G-34OS	NOSE ASS'Y - OFFSET
99-3711	MLGP6-206G-25OS	NOSE ASS'Y - OFFSET
99-3711-1	MLGP6-206G-34OS	NOSE ASS'Y - OFFSET
99-3712	SB05-206H-27OS	NOSE ASS'Y - OFFSET
99-3712-1	SB05-206H-37OS	NOSE ASS'Y - OFFSET
99-3712W	UBB05-206H-27OS	NOSE ASS'Y - OFFSET
99-3713	SB06-206H-27OS	NOSE ASS'Y - OFFSET
99-3713-1	SB06-206H-37OS	NOSE ASS'Y - OFFSET
99-3713DG	SB06-206H-27OS	NOSE ASS'Y - OFFSET
99-3713W	UBB06-206H-27OS	NOSE ASS'Y - OFFSET
99-3714	SB08-206H-27OS	NOSE ASS'Y - OFFSET
99-3714-1	SB08-206H-37OS	NOSE ASS'Y - OFFSET
99-3714W	UBB08-206H-27OS	NOSE ASS'Y - OFFSET
99-3715	SMLS04-206H-27OS	NOSE ASS'Y - OFFSET
99-3715-1	SMLS04-206H-37OS	NOSE ASS'Y - OFFSET
99-3716	SMLS05-206H-27OS	NOSE ASS'Y - OFFSET
99-3716-1	SMLS05-206H-37OS	NOSE ASS'Y - OFFSET
99-3716-1U	UBR05-206H-37OS	NOSE ASS'Y - OFFSET
99-3716U	UBR05-206H-27OS	NOSE ASS'Y - OFFSET
99-3717	SMLS06-206H-27OS	NOSE ASS'Y - OFFSET
99-3717-1	SMLS06-206H-37OS	NOSE ASS'Y - OFFSET
99-3717-1U	UBR06-206H-37OS	NOSE ASS'Y - OFFSET
99-3717U	UBR06-206H-27OS	NOSE ASS'Y - OFFSET
99-3718	SMLS08-206H-27OS	NOSE ASS'Y - OFFSET
99-3718-1	SMLS08-206H-37OS	NOSE ASS'Y - OFFSET
99-3718-1U	UBR08-206H-37OS	NOSE ASS'Y - OFFSET
99-3718U	UBR08-206H-27OS	NOSE ASS'Y - OFFSET
99-3719	LGP10-208C-31	NOSE ASS'Y
99-3728	ASP06-206H-27OS	NOSE ASS'Y - OFFSET W/DEFLECTOR
99-3728-1	ASP08-206H-37OS	NOSE ASS'Y - OFFSET W/ DEFLECTOR
99-3729	ASP08-206H-27OS	NOSE ASS'Y - OFFSET W/DEFLECTOR
99-3730	ASP10-206H-27OS	NOSE ASS'Y - OFFSET W/DEFLECTOR
99-3730-1	ASP10-206H-37OS	NOSE ASS'Y - OFFSET W/DEFLECTOR
99-3733	LGP05-206G-30OS	NOSE ASS'Y - OFFSET
99-3734	LGP06-206H-30OS	NOSE ASS'Y - OFFSET
99-3734-1	LGP06-206-36OS	NOSE ASS'Y - OFFSET
99-3735	LGP08-206G-30OS	NOSE ASS'Y - OFFSET
99-3740	NAS08-206H-30OS	NOSE ASS'Y - OFFSET
99-3749	MGP4-206G-30OS	NOSE ASS'Y - OFFSET
99-3749	MGP5-206G-30OS	NOSE ASS'Y - OFFSET
99-3750	MGP6-206G-30OS	NOSE ASSY-OFFSET

For items not listed, contact Gage Bilt

OTHER #	GAGE BILT #	DESCRIPTION
99-3754	LGP12-208A-31	NOSE ASS'Y
99-3762	LGP07-206G-25OS	NOSE ASS'Y
99-3762-1A	LGP07-206G-34OS	NOSE ASS'Y
99-454	05-200B-21	NOSE ASS'Y
99-455	06-200B-21	NOSE ASS'Y
99-458	MLS05-200B-20	NOSE ASS'Y
99-459	MLS06-200B-20	NOSE ASS'Y
99-495	OS08-745-48	NOSE ASS'Y
99-5000	16-2620-41	NOSE ASS'Y
99-5002	16-2620PT-41	NOSE ASS'Y
99-5008	20-585-41	NOSE ASS'Y
99-5009	20-585-70	NOSE ASS'Y
99-5010	24-585-46	NOSE ASS'Y
99-5013	12413	ANVIL INTEGRAL
99-5013	24-585-70	NOSE ASS'Y
99-5014	28-2630-28	NOSE ASS'Y
99-5015	28-2630-70	NOSE ASS'Y
99-5100	BOM16-2620-41	NOSE ASS'Y
99-5101	BOM16-2620PT-41	NOSE ASS'Y
99-5102	BOM20-585-41	NOSE ASS'Y
99-5103	BOM24-585-46	NOSE ASS'Y
99-591	SB08-755-23	NOSE ASS'Y
99-626	NAST05-352A-20	NOSE ASS'Y
99-709	92000	COLLET ASS'Y
99-740	MLS08-200B-20	NOSE ASS'Y
99-769	BOM10-756-26	NOSE ASS'Y
99-7831	BOB20-2628-53	NOSE ASS'Y
99-7851	BOB20-7720-58	NOSE ASS'Y
99-789	MLS08-200B-20	NOSE ASS'Y
99-798	KS10-4800-46	NOSE ASS'Y
99-798	KS10-4800-46	NOSE ASS'Y
99-830	BOM08-755A-23	NOSE ASS'Y
99-830-1	BOM08-755A-23-1	NOSE ASS'Y
99-833	KS05-352-31	NOSE ASS'Y
99-833	KS05-352-31	NOSE ASS'Y
99-834	KS06-352-31	NOSE ASS'Y
99-852	ASP08-752B-20	NOSE ASS'Y
99-870	NAST05-206G-25O	NOSE ASS'Y - OFFSET
99-881	KS05-568-11	NOSE ASS'Y
99-882	KS05-568-22	NOSE ASS'Y
99-882	KS05-568-22	NOSE ASS'Y
99-883	KS06-568-11	NOSE ASS'Y
99-884	KS06-568-21	NOSE ASS'Y
99-885	KS08-568-12	NOSE ASS'Y
99-99	LB10-745C-26	NOSE ASS'Y
99-99-245	LB10-745C-26	NOSE ASS'Y
99A2	5C-715B-43	NOSE ASS'Y
99LGP-06-ZLAD	LGP06-206-36OS	NOSE ASS'Y - OFFSET
A206-375	GB206-500A	INSTALLATION TOOL HYD
A206-500	GB206-500A	INSTALLATION TOOL HYD
A208-625	GB208-625A	INSTALLATION TOOL HYD
A2480	GB2480A	INSTALLATION TOOL HYD
A508BB	GB508ASB	INSTALLATION TOOL HYD
A508GP	GB508ANAS	INSTALLATION TOOL HYD

For items not listed, contact Gage Bilt

OTHER #	GAGE BILT #	DESCRIPTION
A508LGP	GB508ALGP	INSTALLATION TOOL HYD
A508MG	GB508AMG	INSTALLATION TOOL HYD
A510BB	GB510ASB	INSTALLATION TOOL HYD
A510GP	GB510ANAS	INSTALLATION TOOL HYD
A510LGP	GB510ALGP	INSTALLATION TOOL HYD
A510LGP	GB510LGP	INSTALLATION TOOL HYD
A510MG	GB510AMG	INSTALLATION TOOL HYD
A705BR	GB705ASMLS	INSTALLATION TOOL HYD
A705GP	GB705ANAS	INSTALLATION TOOL HYD
A706BB	GB706A/SB	INSTALLATION TOOL HYD
A706BR	GB706ASMLS	INSTALLATION TOOL HYD
A706GP	GB706ANAS	INSTALLATION TOOL HYD
A706MG	GB706AMG	INSTALLATION TOOL HYD
A708BR	GB708ASMLS	INSTALLATION TOOL HYD
A708GP	GB708ANAS	INSTALLATION TOOL HYD
A708MG	GB708AMG	INSTALLATION TOOL HYD
A712BB	GB512ASB	INSTALLATION TOOL HYD
A712GP	GB512ANAS	INSTALLATION TOOL HYD
A712LGP	GB512ALGP	INSTALLATION TOOL HYD
A712MG	GB512AMG	INSTALLATION TOOL HYD
D-100-MIL-1	GB100-MIL-1	HAND TOOL KIT - BLIND RIVET & NUTSERT
D-100-MIL-2	GB100-MIL-2	HAND TOOL KIT - CHERRYMAX & NUTSERT
ERT9V	GB743/8N	INSTALLATION TOOL
F1060-3	3A-715B-43	NOSE ASS'Y
F1060-4	4A-715B-43	NOSE ASS'Y
F1060-5	5A-715B-43	NOSE ASS'Y
F1060-6	6A-715B-43	NOSE ASS'Y
F1074	456MAX-749-35	NOSE ASS'Y
F1075	456MAX-704-54RA	NOSE ASS'Y - RT. ANGLE
F1076	456MAX-704-43OS	NOSE ASS'Y - OFFSET
F122-AC	30513	CHUCK JAW SET
F156	10231	ANVIL-INSERT-3/32"
F159	10232	ANVIL-INSERT-1/8"
F176 TSN	10217	NOSE TIP
F177 TSN	10219	NOSE TIP
F360	10223	STUD ADAPTER 6/32
F361	10224	STUD ADAPTER 8/32
F362	10226	STUD ADAPTER 10/32
F363	10228	STUD ADAPTER 1/4
F364	10216	NOSE TIP
F365	10218	NOSE TIP
F366	10220	NOSE TIP
F367	10215	NOSE TIP
F372	10225	STUD ADAPTER 10/24
F373	10227	STUD ADAPTER 1/4
F374	10229	STUD ADAPTER 5/16
F375	10230	STUD ADAPTER 3/8
F378	10221	NOSE TIP
F379	10222	NOSE TIP
F5523-3	10303	ANVIL INSERT
F5523-4	10304	ANVIL-INSERT
F5534	50302	RETAINING RING
F5537-3	15504	RATCHET PIN
F5537-4	15503	RATCHET PIN

For items not listed, contact Gage Bilt

OTHER #	GAGE BILT #	DESCRIPTION
F5537-5	15501	RATCHET PIN
F5540	20301	COLLET
F5541	70303	SOC HD CAP SCREW
F5550-3	30314-S6	SUPER GRIP JAW ASS'Y
F5550-4	30406	CHUCK JAW SET
F5562	70301	DRAWBOLT
F5566	70411	JAM NUT
F5567	10301	ANVIL & HOLDER ASSY
Functional G749	GB456A	HAND RIVETER-ALT
G2	GB703V	INSTALL TOOL VAC BOTT(SPECIFY RIVET)
G3	GB703V	INSTALL TOOL VAC BOTT(SPECIFY RIVET)
G4	GB722	INSTALLATION TOOL
G685B-S	GB784SH	INSTALL TOOL SPLIT HANDLE
G686B-S	GB784SH	INSTALL TOOL SPLIT HANDLE
G6JN	70411	JAM NUT
G700	GB784	INSTALLATION TOOL
G700KS	GBP700KS	SERVICE KIT
G701	GB704	INSTALLATION TOOL
G701/G704KT	GB701/704TK	TOOL KIT
G701KS	GBP701KS	SERVICE KIT
G702	GB703NP	INSTALLATION TOOL
G702A	GB703NP	INSTALLATION TOOL
G702KS	GB702KS	SERVICE KIT
G703KS	GB703KS	SERVICE KIT
G704B	GB704	INSTALLATION TOOL
G704B-40SH	GB704SH	INSTALL TOOL / SPLIT HANDLE
G704BCMR	GB704RK-1	RIVETER KIT
G704B-SR	GB704SR	TOOL SPLIT RIVETER
G704KS	GB704KS	SERVICE KIT
G715A	GB715	INSTALLATION TOOL
G715ACMR	GB715RK	RIVETER KIT
G715KS	GB715KS	SERVICE KIT
G740A	GB740	INSTALLATION TOOL
G740ACMR	GB740RK	RIVETER KIT
G740AELM	GB740RK-1	RIVETER KIT
G740KS	GB740KS	SERVICE KIT
G743	GB743	INSTALLATION TOOL
G743KS	GB743KS	SERVICE KIT
G744	GB744	INSTALLATION TOOL
G744CMR	GB744RK	RIVETER KIT
G744KS	GB744KS	SERVICE KIT
G746	GB751/746	INSTALLATION TOOL
G746A	GB751/746	INSTALLATION TOOL
G746ACMRB	GB751CMRK	CHERRY MAX RIVETER KIT
G746ACMRW	GB751ABK	RIVETER KIT
G747	GB704	INSTALLATION TOOL
G747CMR	GB704RK-2	RIVETER KIT
G747KS	GB747KS	SERVICE KIT
G749CMR	GB456ARK	RIVETER KIT-ALT
G750	GB456A	HAND RIVETER-ALT
G750A	GB150CMR	HAND RIVETER
G750ACMR	GB456ARK-2	RIVETER KIT
G780KS	GBP780KS	SERVICE KIT
G784	GB784	INSTALLATION TOOL

For items not listed, contact Gage Bilt

OTHER #	GAGE BILT #	DESCRIPTION
G784CLRA	GB784RK	RIVETER KIT
G784CLRB	GB784RK-1	RIVETER KIT
G784KS	GB784KS	SERVICE KIT
G800	GB151	HAND RIVETER
G83	GB730	INSTALLATION TOOL
G83A	GB730	INSTALLATION TOOL
G83AKT	GB730ALLK	RIVETER KIT
G83BKT	GB731BBLBK	RIVETER KIT
G83KS	GB83KS	SERVICE KIT
G84	GB731	INSTALLATION TOOL
G84A	GB731	INSTALLATION TOOL
G84KS	GB84KS	SERVICE KIT
G84-LSR	GB745/206-500	INSTALL TOOL SPLIT SYSTEM
G84MBK	GB713BBK	BLIND BOLT KIT
G85/87DKS	GBP87KS	SERVICE KIT
G85D	GB745	INSTALLATION TOOL
G85D-S	GB745SH	INSTALL TOOL SPLIT HANDLE
G87	GB756	INSTALLATION TOOL
G87D	GB756	INSTALLATION TOOL
G902-15	GB51	INSTALLATION TOOL
GH703	GB703	INSTALLATION TOOL
GH743	GB743	INSTALLATION TOOL
H1900-456	456UBR-751A-21	NOSE ASS'Y
H513 SRC-06-24	NAS06-353B-23CN	NOSE ASS'Y
H513-04-20	NAS04-730-20	NOSE ASS'Y
H513-05-35	NAST05-2480-45	NOSE ASS'Y
H513-05-60	NAST05-731-60	NOSE ASS'Y
H513-06-20	NAS06-2480-20	NOSE ASS'Y
H513-08-35	NAS08-2480-45	NOSE ASS'Y - ALT
H513S/RC-08-24	NAS08-353-23CN	NOSE ASS'Y
H513S/SR-05-20	NAST05-2480-20	NOSE ASS'Y
H513S/SR-05-20	NAST05-352A-20	NOSE ASS'Y
H513S/SR-05-35	NAST05-352A-45	NOSE ASS'Y
H513S/SR-06-48	NAS06-353A-48	NOSE ASS'Y
H513S/SR-08-24	NAS08-353-23	NOSE ASS'Y
H513S/SR-08-48	NAS08-353-48	NOSE ASS'Y
H513S/SR-10-27	NAS10-353A-23	NOSE ASS'Y
H513S/SR-10-42	NAS10-353A-48	NOSE ASS'Y
H513S/SR-12-27	NAS10-353A-23	NOSE ASS'Y
H513S/SR-12-42	NAS10-353A-48	NOSE ASS'Y
H513S-05-35	NAST05-2480-45	NOSE ASS'Y
H513S-06-20	NAS06-2480-20	NOSE ASS'Y
H513S-06-35	NAS06-2480-45	NOSE ASS'Y
H513S-06-48	NAS06-2581-48	NOSE ASS'Y
H513S-08-35	NAS08-2480-45	NOSE ASS'Y
H513S-08-48	NAS08-2581-48	NOSE ASS'Y
H513S-10-42	NAS10-756-48	NOSE ASS'Y
H513S-12-27	NAS12-756-26	NOSE ASS'Y
H513S-12-42	NAS12-756-48	NOSE ASS'Y
H513SR-05-35	NAST05-352B-45	NOSE ASS'Y
H513SR-06-20	NAS06-352B-20	NOSE ASS'Y
H513-SR-06-24	NAS06-353B-23	NOSE ASS'Y
H513SR-06-35	NAS06-352B-45	NOSE ASS'Y
H513SR-06-45	NAS06-352B-45	NOSE ASS'Y

For items not listed, contact Gage Bilt

OTHER #	GAGE BILT #	DESCRIPTION
H513SRC-08-48	NAS08-353-48CN	NOSE ASS'Y
H513SRC-05-20	NAST05-352B-20CN	NOSE ASS'Y - SPEC. CLEARANCE
H513SRC-05-35	NAST05-352B-45CN	NOSE ASS'Y - SPEC. CLEARANCE
H513SRC-06-20	NAS06-352B-20CN	NOSE ASS'Y - SPEC CLEARANCE
H513SRC-06-24	NAS06-353A-23MDCN	NOSE ASS'Y - SPEC. CLEARANCE
H513SRC-06-35	NAS06-352B-45CN	NOSE ASS'Y - SPEC. CLEARANCE
H513SRC-06-48	NAS06-353A-48MDCN	NOSE ASS'Y - SPEC. CLEARANCE
H563-5B	NAST05-352-46OS	NOSE ASS'Y - OFFSET
H563SP-5B	NAST05-352-46OS	NOSE ASS'Y - OFFSET
H615B-4C	4C-615-64	NOSE ASSY-PULLING HEAD
H615B-4U	4U-615-64	NOSE ASSY-PULLING HEAD
H615B-5C	5C-615-64	NOSE ASSY-PULLING HEAD
H615B-5U	5U-615-64	NOSE ASSY-PULLING HEAD
H615B-6C	6C-615-64	NOSE ASSY-PULLING HEAD
H615B-6U	6U-615-64	NOSE ASSY-PULLING HEAD
H640B-4C	4C-640-64	NOSE ASSY-PULLING HEAD
H640B-4U	4U-640-64	NOSE ASSY-PULLING HEAD
H640B-5C	5C-640-64	NOSE ASSY-PULLING HEAD
H640B-5U	5U-640-64	NOSE ASSY-PULLING HEAD
H640B-6C	6C-640-64	NOSE ASSY-PULLING HEAD
H640B-6U	6U-640-64	NOSE ASSY-PULLING HEAD
H640B-8C	8C-640-64	NOSE ASSY-PULLING HEAD
H640B-8U	8U-640-64	NOSE ASSY-PULLING HEAD
H642-4C15	4C-615A-61	NOSE ASSY-OFFSET
H642-4C40	4C-640A-50	NOSE ASSY-OFFSET
H642-4U15	4U-615A-61	NOSE ASSY-OFFSET
H642-4U40	4U-640A-50	NOSE ASSY-OFFSET
H642-5C15	5C-615A-61	NOSE ASSY-OFFSET
H642-5C40	5C-640A-50	NOSE ASSY-OFFSET
H642-5U15	5U-615A-61	NOSE ASSY-OFFSET
H642-5U40	5U-640A-50	NOSE ASSY-OFFSET
H642-6C15	6C-615A-61	NOSE ASSY-OFFSET
H642-6C40	6C-640A-50	NOSE ASSY-OFFSET
H642-6U15	6U-615A-61	NOSE ASSY-OFFSET
H642-6U40	6U-640A-50	NOSE ASSY-OFFSET
H642-8C40	8C-640A-50	NOSE ASSY-OFFSET
H642-8U40	8U-640A-50	NOSE ASSY-OFFSET
H652-8MB	SB08-755-23	NOSE ASS'Y
H680B-200A	456MAX-680-31	NOSE ASS'Y
H681-3C	3C-681-25	NOSE ASS'Y
H681-3U	3U-681-25	NOSE ASS'Y
H681-4C	4C-681-25	NOSE ASS'Y
H681-4S	4S-681-25	NOSE ASS'Y
H681-4U	4U-681-25	NOSE ASS'Y
H681-5C	5C-681-25	NOSE ASS'Y
H681-5S	5S-681-25	NOSE ASS'Y
H681-5U	5U-681-25	NOSE ASS'Y
H681-6C	6C-681-25	NOSE ASS'Y
H681-6U	6U-681-25	NOSE ASS'Y
H681-8C	8C-681-25	NOSE ASS'Y
H681-8U	8U-681-25	NOSE ASS'Y
H681-B166-4	4US-681-25	NOSE ASS'Y
H681-B166-5	5US-681-25	NOSE ASS'Y
H681-B166-6	6US-681-25	NOSE ASS'Y

For items not listed, contact Gage Bilt

OTHER #	GAGE BILT #	DESCRIPTION
H690-4C	4C-690-00	NOSE ASS'Y
H690-4U	4U-690-00	NOSE ASS'Y
H690-5C	5C-690-00	NOSE ASS'Y
H690-5U	5U-690-00	NOSE ASS'Y
H690-6C	6C-690-00	NOSE ASS'Y
H690-6U	6U-690-00	NOSE ASS'Y
H690-8C	8C-690-00	NOSE ASS'Y
H690-8U	8U-690-00	NOSE ASS'Y
H701B-456	456MAX-701-17	NOSE ASS'Y
H743-6Z	6N-743-24	NOSE ASS'Y
H744-8	08MAX-744-20	NOSE ASS'Y
H746-4MBC	MBC04-704-16	NOSE ASS'Y
H746-5MBC	MBC05-704-16	NOSE ASS'Y
H746-6MBC	MBC06-704-16	NOSE ASS'Y
H747-10GS	GS10-704A-19	NOSE ASS'Y
H747-3A	3A-704A-16	NOSE ASS'Y
H747-3NPR	3NP-704-17	NOSE ASS'Y
H747-456	456MAX-704-17	NOSE ASS'Y
H749-456	456MAX-749-35	NOSE ASS'Y
H749A-456	456MAX-749-35	NOSE ASS'Y
H753-456	456MAX-704-54RA	NOSE ASS'Y - RT. ANGLE
H753A-456	456MAX-704-54RA	NOSE ASS'Y - RT. ANGLE
H781-456	456MAX-704-43OS	NOSE ASS'Y - OFFSET
H781A-456/H7	456MAX-704-43OS	NOSE ASS'Y - OFFSET
H782	456MAX-704-40OS	NOSE ASS'Y - OFFSET
H827-8	08MAX-744A-50OS	NOSE ASS'Y - OFFSET
H828-5MB	SB05-744-58RA	NOSE ASS'Y - RT. ANGLE
H828-6MB	SB06-744-58RA	NOSE ASS'Y - RT. ANGLE
H828-6MB	SB06-83-54RA	NOSE ASS'Y - RT. ANGLE
H828-6MB	SB08-744-58RA	NOSE ASS'Y - RT. ANGLE
H83-5MB	SB05-752C-20	NOSE ASS'Y
H83-5MBU	SB05-752C-20	NOSE ASS'Y
H83-6MB	SB06-752A-43OS	NOSE ASS'Y
H83-6MBU	SB06-752B-20	NOSE ASS'Y
H83A-5MB	SB05-752C-20	NOSE ASS'Y
H83A-6MB	SB06-752B-20	NOSE ASS'Y
H83B-5MB	SB05-752C-20	NOSE ASS'Y
H83B-6MB	SB06-752B-20	NOSE ASS'Y
H846-456	456MAX-744-20	NOSE ASS'Y
H846A-456	456MAX-744-20	NOSE ASS'Y
H84-8	08MAX-752B-20	NOSE ASS'Y
H84-8MB	SB08-713-20	NOSE ASS'Y
H84A-8MB	SB08-713-20	NOSE ASS'Y
H84C-8MB	SB08-713-20	NOSE ASS'Y
H856-5MB	SB05-744-50OS	NOSE ASS'Y - OFFSET
H856-6MB	SB06-744-50OS	NOSE ASS'Y - OFFSET
H886-3	3A-704-54RA	NOSE ASS'Y - RT. ANGLE
H886-4	4A-704-54RA	NOSE ASS'Y - RT. ANGLE
H886-5	5A-704-54RA	NOSE ASS'Y - RT. ANGLE
H886-6	6A-704-54RA	NOSE ASS'Y - RT. ANGLE
H9015-3U	3C-715B-43	NOSE ASS'Y
H9015-3U	3C-715B-43	NOSE ASS'Y
H9015-4U	4C-715B-43	NOSE ASS'Y
H9015-5C	5C-715B-43	NOSE ASS'Y

For items not listed, contact Gage Bilt

OTHER #	GAGE BILT #	DESCRIPTION
H9015-5U	5C-715B-43	NOSE ASS'Y
H9015-6U	6C-715B-43	NOSE ASS'Y
H902-3NPR	3C-704A-16	NOSE ASS'Y
H902-4NPR	4C-704A-16	NOSE ASS'Y
H9040-4C	4C-740B-52	NOSE ASS'Y
H9040-4U	4U-740B-52	NOSE ASS'Y
H9040-5C	5C-740B-52	NOSE ASS'Y
H9040-5U	5U-740B-52	NOSE ASS'Y
H9040-6C	6C-740B-52	NOSE ASS'Y
H9040-6U	6U-740B-52	NOSE ASS'Y
H9040-8C	8C-740B-52	NOSE ASS'Y
H9040-8U	8U-740B-52	NOSE ASS'Y
H9044-4	4A-740B-52	NOSE ASS'Y
H9044-5	5A-740B-52	NOSE ASS'Y
H9044-6	6A-740B-52	NOSE ASS'Y
H9044-8	8A-740B-52	NOSE ASS'Y
H9055-3	3A-715B-43	NOSE ASS'Y
H9055-4	4A-715B-43	NOSE ASS'Y
H9055-5	5A-715B-43	NOSE ASS'Y
H9055-6	6A-715B-43	NOSE ASS'Y
H955-3	3A-704A-16	NOSE ASS'Y
H955-4	4A-704A-16	NOSE ASS'Y
H955-5	5A-704A-16	NOSE ASS'Y
H955-6	6A-704A-16	NOSE ASS'Y
HG100-05	100-05	SWAGE INSPECTION GAGE
HG100-06	100-06	SWAGE INSPECTION GAGE
HG100-07	100-07	SWAGE INSPECTION GAGE
HG100-08	100-08	SWAGE INSPECTION GAGE
HG100-10	100-10	SWAGE INSPECTION GAGE
HG100-12	100-12	SWAGE INSPECTION GAGE
HG104-05	104-05	SWAGE INSPECTION GAGE
HG104-06	104-06	SWAGE INSPECTION GAGE
HG104-08	104-08	SWAGE INSPECTION GAGE
HG106-05	106-05	SWAGE INSPECTION GAGE
HG106-06	106-06	SWAGE INSPECTION GAGE
HG106-08	106-08	SWAGE INSPECTION GAGE
HG106-10	106-10	SWAGE INSPECTION GAGE
HG106-12	106-12	SWAGE INSPECTION GAGE
HG107-06	107-06	SWAGE INSPECTION GAGE
HG107-08	107-08	SWAGE INSPECTION GAGE
HG107-10	107-10	SWAGE INSPECTION GAGE
HG107-12	107-12	SWAGE INSPECTION GAGE
HG108-05	108-05	SWAGE INSPECTION GAGE
HG108-06	108-06	SWAGE INSPECTION GAGE
HG108-08	108-08	SWAGE INSPECTION GAGE
HG109-05	109-05	SWAGE INSPECTION GAGE
HG109-06	109-06	SWAGE INSPECTION GAGE
HG109-08	109-08	SWAGE INSPECTION GAGE
HG109-10	109-10	SWAGE INSPECTION GAGE
HG110-05	110-05	SWAGE INSPECTION GAGE
HG110-06	110-06	SWAGE INSPECTION GAGE
HG110-07	110-07	SWAGE INSPECTION GAGE
HG110-08	110-08	SWAGE INSPECTION GAGE
HG110-10	110-10	SWAGE INSPECTION GAGE

For items not listed, contact Gage Bilt

OTHER #	GAGE BILT #	DESCRIPTION
HG110-12	110-12	SWAGE INSPECTION GAGE
HG110-16	110-14	SWAGE INSPECTION GAGE
HG110-16	110-16	SWAGE INSPECTION GAGE
HG112-05	112-05	SWAGE INSPECTION GAGE
HG113-05	113-05	SWAGE INSPECTION GAGE
HG113-06	113-06	SWAGE INSPECTION GAGE
HG113-07	113-07	SWAGE INSPECTION GAGE
HG113-08	113-08	SWAGE INSPECTION GAGE
HG113-10	113-10	SWAGE INSPECTION GAGE
HG113-12	113-12	SWAGE INSPECTION GAGE
HG115-04	115-04	SWAGE INSPECTION GAGE
HG115-05	115-05	SWAGE INSPECTION GAGE
HG115-06	115-06	SWAGE INSPECTION GAGE
HG117-04	117-04	SWAGE INSPECTION GAGE
HG118-05	118-05	SWAGE INSPECTION GAGE
HG118-06	118-06	SWAGE INSPECTION GAGE
HG118-07	118-07	SWAGE INSPECTION GAGE
HG118-08	118-08	SWAGE INSPECTION GAGE
HG118-10	118-10	SWAGE INSPECTION GAGE
HG118-12	118-12	SWAGE INSPECTION GAGE
HG119-05	119-05	SWAGE INSPECTION GAGE
HG119-06	119-06	SWAGE INSPECTION GAGE
HG119-08	119-08	SWAGE INSPECTION GAGE
HG119-10	119-10	SWAGE INSPECTION GAGE
HG119-12	119-12	SWAGE INSPECTION GAGE
HG120-08	120-08	SWAGE INSPECTION GAGE
HG120-10	120-10	SWAGE INSPECTION GAGE
HG121-06	121-06	SWAGE INSPECTION GAGE
HG121-08	121-08	SWAGE INSPECTION GAGE
HG122-05	122-05	SWAGE INSPECTION GAGE
HG122-06	122-06	SWAGE INSPECTION GAGE
HG124-05	124-05	INSPECTION GAGE
HG124-05	124-05	INSPECTION GAGE
HG124-06	124-06	INSPECTION GAGE
HG124-08	124-08	INSPECTION GAGE
HG124-10	124-10	INSPECTION GAGE
HG124-12	124-12	INSPECTION GAGE
HG124-12EU	124-12EU	INSPECTION GAGE
HG125-06	125-06	INSPECTION GAGE
HG125-08	125-08	INSPECTION GAGE
HG126-05	126-05	INSPECTION GAGE
HG126-06	126-06	INSPECTION GAGE
HG126-08	126-08	INSPECTION GAGE
HG126-10	126-10	INSPECTION GAGE
HG128-06	128-06	INSPECTION GAGE
HG129-04	129-04	INSPECTION GAGE
HG129-05	129-05	INSPECTION GAGE
HG129-06	129-06	INSPECTION GAGE
HG131-05	131-05	SWAGE INSPECTION GAGE
HG131-06	131-06	SWAGE INSPECTION GAGE
HG131-08	131-08	SWAGE INSPECTION GAGE
HG131-10	131-10	SWAGE INSPECTION GAGE
HG131-12	131-12	SWAGE INSPECTION GAGE
HG141-05	141-05	SWAGE INSPECTION GAGE

For items not listed, contact Gage Bilt

OTHER #	GAGE BILT #	DESCRIPTION
HG141-06	141-06	SWAGE INSPECTION GAGE
HG142-05	142-05	SWAGE INSPECTION GAGE
HG142-06	142-06	SWAGE INSPECTION GAGE
HG143-04	143-04	SWAGE INSPECTION GAGE
HG143-05	143-05	SWAGE INSPECTION GAGE
HG143-06	143-06	SWAGE INSPECTION GAGE
HG143-08	143-08	SWAGE INSPECTION GAGE
HG144-05	144-05	SWAGE INSPECTION GAGE
HG144-06	144-06	SWAGE INSPECTION GAGE
HG144-08	144-08	SWAGE INSPECTION GAGE
HG144-10	144-10	SWAGE INSPECTION GAGE
HG146-05	146-05	SWAGE INSPECTION GAGE
HG146-06	146-06	SWAGE INSPECTION GAGE
HG149-06	159-06	SWAGE INSPECTION GAGE
HG150-05	150-05	SWAGE INSPECTION GAGE
HG150-06	150-06	SWAGE INSPECTION GAGE
HG150-07	150-07	SWAGE INSPECTION GAGE
HG150-08	150-08	SWAGE INSPECTION GAGE
HG162-05	162-05	SWAGE INSPECTION GAGE
HG162-06	162-06	SWAGE INSPECTION GAGE
HG162-07	162-07	SWAGE INSPECTION GAGE
HG162-08	162-08	SWAGE INSPECTION GAGE
HG162-10	162-10	SWAGE INSPECTION GAGE
HG162-12	162-12	SWAGE INSPECTION GAGE
HG162-14	162-14	SWAGE INSPECTION GAGE
HG162-16	162-16	SWAGE INSPECTION GAGE
HG162-18	162-18	SWAGE INSPECTION GAGE
HG162-20	162-20	SWAGE INSPECTION GAGE
HG164-06	164-06	SWAGE INSPECTION GAGE
HG164-07	164-07	SWAGE INSPECTION GAGE
HG164-08	164-08	SWAGE INSPECTION GAGE
HG164-10	164-10	SWAGE INSPECTION GAGE
HG164-12	164-12	SWAGE INSPECTION GAGE
HG165-06	165-06	SWAGE INSPECTION GAGE
HG165-08	165-08	SWAGE INSPECTION GAGE
HG165-10	165-10	SWAGE INSPECTION GAGE
HG165-12	165-12	SWAGE INSPECTION GAGE
HG165-14	165-14	SWAGE INSPECTION GAGE
HG166-05	166-05	SWAGE INSPECTION GAGE
HG166-06	166-06	SWAGE INSPECTION GAGE
HG166-08	166-08	SWAGE INSPECTION GAGE
HG166-10	166-10	SWAGE INSPECTION GAGE
HG166-12	166-12	SWAGE INSPECTION GAGE
HG169-06	169-06	SWAGE INSPECTION GAGE
HG169-08	169-08	SWAGE INSPECTION GAGE
HG169-10	169-10	SWAGE INSPECTION GAGE
HG169-12	169-12	SWAGE INSPECTION GAGE
HG169-14	169-14	SWAGE INSPECTION GAGE
HG171-05	171-05	SWAGE INSPECTION GAGE
HG171-06	171-06	SWAGE INSPECTION GAGE
HG171-07	171-07	SWAGE INSPECTION GAGE
HG171-08	171-08	SWAGE INSPECTION GAGE
HG173-08	173-08	SWAGE INSPECTION GAGE
HG173-10	173-10	SWAGE INSPECTION GAGE

For items not listed, contact Gage Bilt

OTHER #	GAGE BILT #	DESCRIPTION
HG173-12	173-12	SWAGE INSPECTION GAGE
HG34D-1	34D-1	SWAGE INSPECTION GAGE
HG34D-10	34D-10	SWAGE INSPECTION GAGE
HG34D-2	34D-2	SWAGE INSPECTION GAGE
HG34D-3	34D-3	SWAGE INSPECTION GAGE
HG34D-4	34D-4	SWAGE INSPECTION GAGE
HG34D-5	34D-5	SWAGE INSPECTION GAGE
HG34D-6	34D-6	SWAGE INSPECTION GAGE
HG34D-7	34D-7	SWAGE INSPECTION GAGE
HG34D-8	34D-8	SWAGE INSPECTION GAGE
HG34D-9	34D-9	SWAGE INSPECTION GAGE
HG75-1	75-1	SWAGE INSPECTION GAGE
HG75-2	75-2	SWAGE INSPECTION GAGE
HG75-3	75-3	SWAGE INSPECTION GAGE
HG75-4	75-4	SWAGE INSPECTION GAGE
HG75-5	75-5	SWAGE INSPECTION GAGE
HG75-6	75-6	SWAGE INSPECTION GAGE
HG75-7	75-7	SWAGE INSPECTION GAGE
HG75-8	75-8	SWAGE INSPECTION GAGE
HG76-1A	76-1A	SWAGE INSPECTION GAGE
HG76-2A	76-2A	SWAGE INSPECTION GAGE
HG76-3	76-3	SWAGE INSPECTION GAGE
HG76-4	76-4	SWAGE INSPECTION GAGE
HG77-10	77-10	SWAGE INSPECTION GAGE
HG77-11	77-11	SWAGE INSPECTION GAGE
HG77-12	77-12	SWAGE INSPECTION GAGE
HG77-13	77-13	SWAGE INSPECTION GAGE
HG77-13A	77-13A	SWAGE INSPECTION GAGE
HG77-14	77-14	SWAGE INSPECTION GAGE
HG77-16	77-16	SWAGE INSPECTION GAGE
HG77-16A	77-16A	SWAGE INSPECTION GAGE
HG77-17	77-17	SWAGE INSPECTION GAGE
HG77-18	77-18	SWAGE INSPECTION GAGE
HG79-05	79-05	SWAGE INSPECTION GAGE
HG85-10	85-10	SWAGE INSPECTION GAGE
HG85-12	85-12	SWAGE INSPECTION GAGE
HG85-16	85-16	SWAGE INSPECTION GAGE
HG85-17	85-17	SWAGE INSPECTION GAGE
HG85-18	85-18	SWAGE INSPECTION GAGE
HG85-19	85-19	SWAGE INSPECTION GAGE
HG85-2	85-2A	SWAGE INSPECTION GAGE
HG85-21	85-21	SWAGE INSPECTION GAGE
HG85-22	85-22	SWAGE INSPECTION GAGE
HG85-23	85-23	SWAGE INSPECTION GAGE
HG85-24	85-24	SWAGE INSPECTION GAGE
HG85-25	85-25	SWAGE INSPECTION GAGE
HG85-26	85-26	SWAGE INSPECTION GAGE
HG85-3	85-3	SWAGE INSPECTION GAGE
HG85-4	85-4	SWAGE INSPECTION GAGE
HG85-5	85-5	SWAGE INSPECTION GAGE
HG85-6	85-6	SWAGE INSPECTION GAGE
HG85-7	85-7	SWAGE INSPECTION GAGE
HG85-8	85-8	SWAGE INSPECTION GAGE
HG85-9	85-9	SWAGE INSPECTION GAGE

For items not listed, contact Gage Bilt

OTHER #	GAGE BILT #	DESCRIPTION
HG90-4	90-4-1	SWAGE INSPECTION GAGE
HG90-5	90-5-1	SWAGE INSPECTION GAGE
HG90-5-1	90-5-1	SWAGE INSPECTION GAGE
HG90-6	90-6	SWAGE INSPECTION GAGE
HG90-8	90-8	SWAGE INSPECTION GAGE
HG99-06	99-06	SWAGE INSPECTION GAGE
HG99-08	99-08	SWAGE INSPECTION GAGE
HG99-10	99-10	SWAGE INSPECTION GAGE
HG99-12	99-12	SWAGE INSPECTION GAGE
HK150	30426	CHUCK JAW SET
HK150-456	GB150SMLSRK	RIVETER KIT
HPT35 KIT	HPT35KS	SERVICE KIT
LH-224	GB722	INSTALLATION TOOL
P-10	S-10	BACK UP RING
P-1000	S1000	BACK-UP RING
P-1003	50505	SPRING
P-1004	401105	BACK-UP RING
P-1012	76308	ROLL PIN
P-108	S108	BACK-UP RING
P-109	400991	RETAINING RING
P-111	400776	O'RING
P-112	400778	O'RING
P-1126	50426	SPRING
P-1135	76306	SPRING
P-115	S115	BACK-UP RING
P-1155	70109	SPRING
P-1178	S1178	VALVE PLUG EXTRACTOR
P-1181	S1181	HOSE FITTING
P-1195	S1195	O'RING
P-12	S12	O'RING
P-1373	S1373	O'RING
P-1386	S1386	RETAINING RING
P-1389	S1389	QUAD RING
P-1390	S1390	BACK-UP RING
P-1392	S1392	TOP LOCK
P-1408	403802	O'RING
P-1409	403810	O'RING
P-1412	401114	BACK-UP RING
P-1419	401115	BACK-UP RING
P-1428	S1428	SPRING
P-1462	S1462	SPRING
P-155	S155	O'RING
P-16	S16	RETAINING RING
P-164	402520	STEEL BALL
P-190	400054	SOC. HD. CAP SCREW
P-194	404550	O'RING
P-195	400808	O'RING
P-196	400851	O'RING
P-204	402312	RETAINING RING
P-209	S209	BACK-UP RING
P-210	S210	BACK-UP RING
P-212	S212	BACK-UP RING
P-213	S213	BACK-UP RING
P-214	S214	BACK-UP RING

For items not listed, contact Gage Bilt

OTHER #	GAGE BILT #	DESCRIPTION
P-215	404757	QUAD RING
P-216	401415	QUAD RING
P-217	401173	QUAD RING
P-218	401419	QUAD RING
P-221	401426	QUAD RING
P-223	400773	O'RING
P-242	S242	BACK-UP RING
P-244	400787	O'RING
P-258	401205	SOC. HD. CAP SCREW
P-266	404419	O'RING
P-268	S268	O'RING
P-269	S269	O'RING
P-27	400055	SOC. HD. CAP SCREW
P-270	401089	BACK-UP RING
P-279	402321	RETAINING RING
P-293	400774	O'RING
P-294	403973	O'RING
P-298	S298	O'RING
P-302	S302	SLOTTED NUT
P-304	401171	QUAD RING
P-321	S321	RETAINING RING
P-356	405334	SCREW
P-370	403703	SEAL PLUG
P-381	400049	SOC. HD. CAP SCREW
P-383	400777	O'RING
P-390	400047	SOC. HD. CAP SCREW
P-391	400178	LOCKWASHER
P-392	402129	SPRING PIN
P-402	S402	SOC. SET SCREW
P-404	S404	RETAINING RING
P-405	S405	RETAINING RING
P-41	400047	SOC. HD. CAP SCREW
P-413	402471	BUTTON HEAD CAP SCREW
P-42	S42	WASHER
P-483	400845	O'RING
P-508	400810	O'RING
P-509	S509	RETAINING RING
P-533	S533	SWIVEL ADAPTER
P-553	400792	O'RING
P-554	400110	BUTTON HEAD CAP SCREW
P-555	50503	SPRING
P-56	400101	SOC. HD. CAP SCREW
P-568	400811	O'RING PACKING
P-572	S572	STAT-O-SEAL
P-573	402482	BUTTON HEAD CAP SCREW
P-575	400601	SLOTTED PIN
P-584	400776	O'RING
P-604	400843	O'RING
P-621	400782	O'RING
P-64	400063	SOC. HD. CAP SCREW
P-650	403165	BACK-UP RING
P-651	403168	BACK-UP RING
P-652	403171	BACK-UP RING
P-653	400781	O'RING

OTHER #	GAGE BILT #	DESCRIPTION
P-654	400784	O'RING
P-657	S657	BACK-UP RING
P-657	S657	BACK UP RING
P-658	A-1056	SET SCREW
P-670	403973	O'RING
P-676	S676	BACK UP RING
P-688	S688	STEEL BALL
P-690	404561	O'RING
P-691	404563	O'RING
P-693	S693	STAT-O-SEAL
P-698	402373	PIPE PLUG
P-699	402330	RETAINING RING
P-700	S700	FLAT HEAD CAP SCREW
P-701	400780	O'RING
P-706	70412	O'RING
P-71	400101	SOC. HD. CAP SCREW
P-714	S714	BUTTON HEAD CAP SCREW
P-721	400782	O'RING
P-722	400783	O'RING
P-723	S723	O'RING
P-724	400788	O'RING
P-725	S725	O'RING
P-727	404592	O'RING
P-728	S728	O'RING
P-73	400062	SOC. HD. CAP SCREW
P-730	S730	QUAD RING
P-731	S731	BACK UP RING
P-732	403164	BACK-UP RING
P-733	S733	RETAINING RING
P-734	S734	RETAINING RING
P-735	S735	RETAINING RING
P-736	S736	RETAINING RING
P-737	400559	FLEX LOCK NUT
P-739	401086	BACK-UP RING
P-768	S768	RETAINING RING
P-814	S814	RETAINING RING
P-826	S826	O'RING
P-827	S827	O'RING
P-828	S828	O'RING
P-829	S829	O'RING
P-830	S830	O'RING
P-831	S831	O'RING
P-832	S832	O'RING
P-833	403805	O'RING
P-834	S834	O'RING
P-837	S837	O'RING
P-838	A-287	O'RING
P-840	400789	O'RING
P-841	S841	CONE PT S.S.S.
P-842	400060	SOC. HD. CAP SCREW
P-848	400785	O'RING
P-860	401089	BACK-UP RING
P-868	401110	BACK-UP RING
P-870	400789	O'RING

For items not listed, contact Gage Bilt

OTHER #	GAGE BILT #	DESCRIPTION
P-872	400816	O'RING
P-877	400820	O'RING
P-878	401114	BACK-UP RING
P-880	S880	RETAINING RING (SPECIAL)
P-881	404125	BUTTON HEAD CAP SCREW
P-882	400812	O'RING
P-883	401087	BACK-UP RING
P-884	S884	RETAINING RING
P-885	S885	RETAINING RING
P-886	S886	RETAINING RING
P-887	401462	QUAD RING
P-889	400822	O'RING
P-890	S890	O'RING
P-891	S891	O'RING
P-892	S892	O'RING
P-893	400859	O'RING
P-894	400801	O'RING
P-895	S895	RETAINING RING
P-898	S898	STEEL WASHER
P-899	S899	HEX NUT
P-90	400100	SOC. HD. CAP SCREW
P-900	S900	STAT-O-SEAL
P-901	S901	O'RING
P-903	S903	O'RING
P-904	S904	O'RING
P-905	S905	BACK-UP RING
P-908	S908	BACK-UP RING
P-909	S909	BACK-UP RING
P-91	400061	SOC. HD. CAP SCREW
P-910	S910	O'RING
P-918	400827	O'RING
P-919	401085	BACK-UP RING
P-921	400809	O'RING
P-924	S924	SOC. SET SCREW
P-930	75315	SET SCREW
P-931	400817	O'RING
P-932	S932	BACK-UP RING
P-945	S945	O'RING
P-946	400815	O'RING
P-954	75318	LINK
P-957	401493	RETAINING RING
P-964	50806	SPRING
P-998	401086	BACK-UP RING
P-999	S999	BACK-UP RING
PR2020-6BB	SB06-722-25	NOSE ASS'Y
PRG540	GB743	INSTALLATION TOOL
RV14GE	GB715	INSTALLATION TOOL
RV15	GB704	INSTALLATION TOOL
RV30GD	GB740/740715	INSTALLATION TOOL
RV30GE	GB740/740715	INSTALLATION TOOL
RV3355-4	4C-740B-52	NOSE ASS'Y
RV3355-4U	4U-740B-52	NOSE ASS'Y
RV3355-5	5C-740B-52	NOSE ASS'Y
RV3355-5U	5U-740B-52	NOSE ASS'Y

For items not listed, contact Gage Bilt

OTHER #	GAGE BILT #	DESCRIPTION
RV3355-6	6C-740B-52	NOSE ASS'Y
RV3355-6U	6U-740B-52	NOSE ASS'Y
RV3355-8C	8C-740B-52	NOSE ASS'Y
RV3355-8U	8U-740B-52	NOSE ASS'Y
RV336-3	3C-51-46	NOSE ASS'Y
RV336-4	4C-51-46	NOSE ASS'Y
RV355-5	5C-715B-43	NOSE ASS'Y
RV355C-3	3C-715B-43	NOSE ASS'Y
RV355C-4	4C-715B-43	NOSE ASS'Y
RV355C-6	6C-715B-43	NOSE ASS'Y
RV36GA	GB36	HAND RIVETER
RV375-3	3C-715-40OS	NOSE ASS'Y - OFFSET
RV375-4	4C-715-40OS	NOSE ASS'Y - OFFSET
RV375-5	5C-715-40OS	NOSE ASS'Y - OFFSET
RV375-6	6C-715-40OS	NOSE ASS'Y - OFFSET
RV380-3	3C-715B-44RA	NOSE ASS'Y - RT. ANGLE
RV380-4	4C-715B-44RA	NOSE ASS'Y - RT. ANGLE
RV380-5	5C-715B-44RA	NOSE ASS'Y - RT. ANGLE
RV380-6	6C-715B-44RA	NOSE ASS'Y - RT. ANGLE
RV50GB	GB50	INSTALLATION TOOL
RV51	GB51	INSTALLATION TOOL
RV51GA	GB51	INSTALLATION TOOL
RV51RK	GB51RK	INSTALLATION TOOL PNEUMATIC
RV53	GB54B	INSTALLATION TOOL
RV784	GB784	INSTALLATION TOOL
RV812-3	3A-715B-43	NOSE ASS'Y
RV812-4	4A-715B-43	NOSE ASS'Y
RV812-5	5A-715B-43	NOSE ASS'Y
RV812-6	6A-715B-43	NOSE ASS'Y
RV817	456MAX-704-54RA	NOSE ASS'Y - RT. ANGLE
RV818	456MAX-704-43OS	NOSE ASS'Y - OFFSET
RV819	456MAX-701-17	NOSE ASS'Y
RV832-3	3A-51-46	NOSE ASS'Y
RV832-4	4A-51-46	NOSE ASS'Y
RV832-5	5A-51-46	NOSE ASS'Y
RV836-3	3C-51-46	NOSE ASS'Y
RV836-4	4C-51-46	NOSE ASS'Y
RV855-5	5C-715B-43	NOSE ASS'Y
RV872-3	3A-715-40OS	NOSE ASS'Y - OFFSET
RV872-4	4A-715-40OS	NOSE ASS'Y - OFFSET
RV872-5	5A-715-40OS	NOSE ASS'Y - OFFSET
RV872-6	6A-715-40OS	NOSE ASS'Y - OFFSET
RV875-3	3A-715-40OS	NOSE ASS'Y - OFFSET
RV875-4	4A-715-40OS	NOSE ASS'Y - OFFSET
RV875-5	5A-715-40OS	NOSE ASS'Y - OFFSET
RV875-6	6A-715-40OS	NOSE ASS'Y - OFFSET
RV880-3	3C-715B-44RA	NOSE ASS'Y - RT. ANGLE
RV880-4	4C-715B-44RA	NOSE ASS'Y - RT. ANGLE
RV880-6	6C-715B-44RA	NOSE ASS'Y - RT. ANGLE
RV8812-4	4A-740B-52	NOSE ASS'Y
RV8812-5	5A-740B-52	NOSE ASS'Y
RV8812-6	6A-740B-52	NOSE ASS'Y
RV8812-8	8A-740B-52	NOSE ASS'Y
RV882-3	3A-715B-44RA	NOSE ASS'Y - RT. ANGLE

For items not listed, contact Gage Bilt

OTHER #	GAGE BILT #	DESCRIPTION
RV882-4	4A-715B-44RA	NOSE ASS'Y - RT. ANGLE
RV882-5	5A-715B-44RA	NOSE ASS'Y - RT. ANGLE
RV882-6	6A-715B-44RA	NOSE ASS'Y - RT. ANGLE
RV8882-8	8A-715A-54RA	NOSE ASS'Y - RT. ANGLE
RV911-8	GS8-715B-43	NOSE ASS'Y
RV971-10	GS10-715B-40OS	NOSE ASS'Y - OFFSET
RV971-8	GS8-715-40OS	NOSE ASS'Y - OFFSET
RV981-10	GS10-715-54RA	NOSE ASS'Y - RT. ANGLE - HVY. DUTY
RVA30	715740	ADAPTER ASS'Y
RVA704	704001	ADAPTER ASSY
RVA84	784715	ADAPTER ASS'Y
RVG3004	269G3	SELECT GAGE ASS'Y
RVG3004A	269G3	SELECT GAGE ASS'Y
T-10280	942280	PRESSURE GAGE ASS'Y
T-124833CE	942280	PRESSURE GAGE ASS'Y
T172-3	G172-3	GAGE SET-3/32"
T172-4	G172-4	GAGE SET-1/8"
T172-40	G172-40	GAGE SET
T172-400	G172-400	GAGE SET-1/8"
T172-5	G172-5	GAGE SET-5/32"
T172-50	G172-50	GAGE SET
T172-500	G172-500	GAGE SET-5/32"
T172-6	G172-6	GAGE SET-3/16"
T172-60	G172-60	GAGE SET
T172-600	G172-600	GAGE SET-3/16"
T172-8	G172-8	GAGE SET-1/4"
T172-80	G172-80	GAGE SET
T172-800	G172-800	GAGE SET-1/4"



GB756

- Pneudraulic
- 11.1 lb. (5.03kg)
- .960 (24.3) stroke
- 10,000 lb. (44.48kN) pull force

The GB756 is a powerful pneudraulic tool designed to install a variety of commercial lockbolts, blind bolts and structural rivets. Ideal for:

- 3/16" (4.8) thru 3/8" (10.0) C6L[®], Avdelok[®] and Magna-Grip[®], Maxlok[®] lockbolts
- 3/16" (4.8) thru 3/8" (10.0) Monobolt[®] and Magna-Lok[®] structural rivets
- 1/4" (6.4) thru 5/16" (8.0) BOM[®] and Avbolt[®] blind bolts



GB2480

- Hydraulic
- 3 lb. (1.36kg)
- .875 (22.2) stroke
- 5,500 lb. (24.47kN) pull force

The GB2480 is a lightweight hydraulic tool designed to install a variety of commercial lockbolts and structural rivets. Ideal for:

- 3/16" (4.8) and 1/4" (6.4) C6L[®], Avdelok[®] and Magna-Grip[®], Maxlok[®] lockbolts
- 3/16" (4.8) and 1/4" (6.4) Monobolt[®] and Magna-Lok[®] structural rivets
- 1/4" (6.4) BOM[®] and Avbolt[®] blind bolts
- 1/4" (6.4) Mega Orlock[®] blind bolts
- 1/4" (6.4) U-Fix A/S[®] & U-Fix Steel[®] blind rivets



GB2581

- Hydraulic
- 6.6 lb. (3.0kg)
- .940 (23.8) stroke
- 10,700 lb. (47.60kN) pull force

The GB2581 is a hydraulic tool designed to install a variety of commercial lockbolts and structural rivets. Ideal for:

- 3/16" (4.8) thru 3/8" (10.0) C6L[®], Avdelok[®] and Magna-Grip[®], Maxlok[®] lockbolts
- 5/16" (7.8) and 3/8" (10.0) Monobolt[®] and Magna-Lok[®] structural rivets
- 1/4" (6.4) and 5/16" (7.8) BOM[®] and Avbolt[®] blind bolts
- 5/16" (7.8) Ornilock[®] blind rivets



GB7624

- Hydraulic
- 15 lb. (6.8kg)
- 1.970 (50.0) stroke
- 40,000 lb. (177.92kN) pull force

The GB7624 is a hydraulic tool designed to install large diameter commercial lockbolts. Ideal for:

- 1/2" (12.7), 5/8" (16.0), 3/4" (20.0) C50L[®] and lockbolts
- 1/2" (12.7) and 5/8" (16.0) HP8[®] lockbolts
- M12 and M16 MHP[®] 10.9 metric class lockbolts
- 1/2" (12.7), 5/8" (16.0), 3/4" (20.0) BOM[®] blind bolts



GB2620

- Hydraulic
- 9.9 lb. (4.5kg)
- 1.437 (36.5) stroke
- 17,745 lb. (78.93kN) pull force

Designed to install:

- 1/2" (12.7) C50L[®], AVBOLT[®], BOM[®] and LD AVDELOK[®]



GB2628

- Hydraulic
- 20.8 lb. (9.4kg)
- 1.81 (46.0) stroke
- 45,768 lb. (203.58kN) pull force

Designed to install:

- 1/2" (12.7) thru 3/4" (20.0) C50L[®] and HP8[®]
- 1/2" (12.7) thru 3/4" (20.0) BOM[®] blind bolts



GB2630

- Hydraulic
- 22.4 lb. (10.1kg)
- 1.9 (48.4) stroke
- 55,940 lb. (248.82kN) pull force

Designed to install:

- 7/8" (22.0) C50L[®] lockbolts
- M20 class 10.9 MHP[®] lockbolts

GB940



GB910



The GB940 (electric) and GB910 (pneumatic) are power units that generate up to 10,000 pounds working pressure. They are designed to operate the:

- GB2480(A)/GB2581(A)
- GB7624(A)
- GB2620(A)
- GB2628(A)
- GB2630(A)

(A) designates Air Trigger for use with GB910

GAGE BILT

RIVETING SOLUTIONS

Innovative Tools and Nose Assemblies
Tough Tools For Tough Jobs



GB Split Tools

- Decreases weight up to 70%
- Wide range of tools available (any of our blue pneudraulic tools have Split options available)
- Pistol and inline versions
- Improves ergonomics
- Improves application access
- Will install most 3/32"-5/16" Blind Rivets

The GB Split Tools are ideal for applications with limited access or applications that require tool weight reduction to improve ergonomics.

Tools are available in pistol or inline designs. Standard hose length is 12 feet.



Backpacks

For use with Split Tools

NEW

- Ergonomic
- Increases user Mobility
- Increases Productivity
- Reduces user fatigue
- Comfortable
- Reduces weight of tool by up to 70%



GB808 Remote Power Unit

NEW

- Fastest installation
- Pneumatic/Hydraulic
- High production
- Powers wide range of tools
- Pistol grip and inline tools
- Improved ergonomics



GB5500 Series Collar Feeder

NEW

- Increased productivity
- Eliminate F.O.D.
- Reduce fastener cost
- Quick change cartridge
- Safer collar installation

The GB5500 Series collar feeder is a safe, lightweight tool designed to quickly install a variety of lockbolt collars while eliminating F.O.D. and increasing productivity.

- 8" cartridge holds 250 collars—2 minute refill
- 4" cartridge holds 100 collars—1 minute refill

Bowl feeder to fill cartridges sold separately



Nose Assemblies

- Straight
- Right Angle
- Offset
- Short
- Long

Gage Bilt manufacturers a wide variety of nose assemblies that are designed with features to install specific aerospace fasteners.

GAGE BILT NOSE ASSEMBLIES ARE FULLY INTERCHANGEABLE WITH HUCK®, CHERRY® AND ALLFAST® NOSES.

Gage Bilt welcomes the opportunity to design a nose assembly to fit a customer's specific application.

www.gagebilt.com

Gage Bilt Inc. was founded in Warren, Michigan, U.S.A., in 1956. The company manufactured lockbolt swage setting gages for Huck® Manufacturing. The business grew to include nose assemblies and tools. In 1979 Gage Bilt launched its own brand and began selling to customers around the world. In the early 1980s Gage Bilt developed a full line of tools and noses to compete with Huck® and Cherry® Aerospace.

Today Gage Bilt Inc. is located in a 25,000 square foot manufacturing plant in Clinton Township, Michigan, U.S.A.

The company fosters a competitive spirit for innovation and continually supports its aerospace customers by developing tools that help to:

REDUCE FOD, IMPROVE ERGONOMICS,
IMPROVE SAFETY AND IMPROVE PRODUCTIVITY.

GAGE BILT
RIVETING SOLUTIONS



Made in the U.S.A.

Huck®, ASP®, GP®, LGP®, MGP®, MLGP® are a registered trademarks of Alcoa Inc. Cherry®, CherryMAX®, Cherry-LOCK® are registered trademarks of Cherry Aerospace. Allfast® is a registered trademark of Allfast Fastening Systems Inc.